



FOREVER REDWOOD

From the Forest, For the Forest since 1995

866.332.2403 (TOLL FREE) (707) 640.29.05 (Option 4) Direct Line for the
Design Department; 7am – 7pm Pacific Time, Monday-Saturday

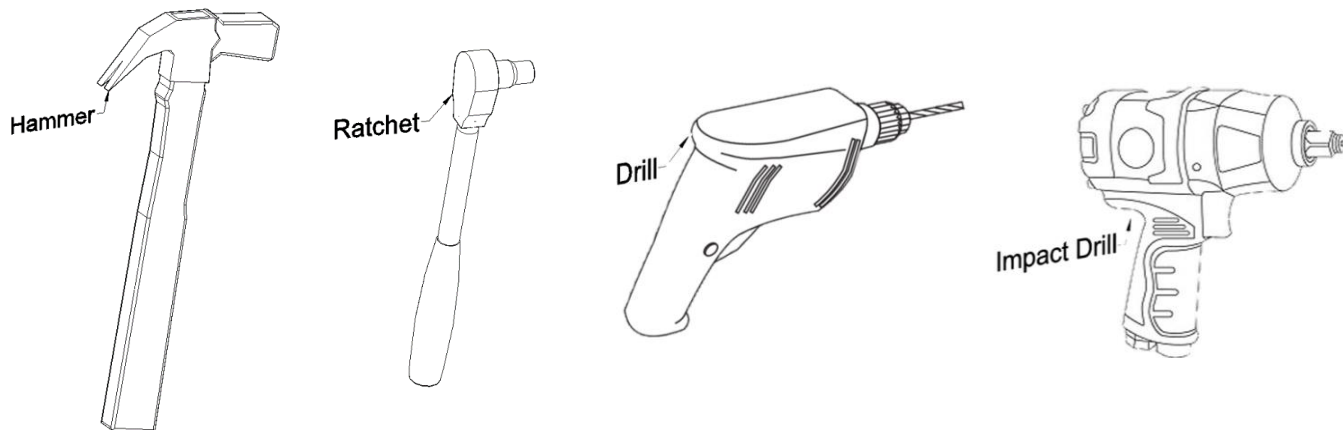
ASSEMBLY INSTRUCTIONS FOR THE EMMA'S MODERN PAVILION



Order 127087

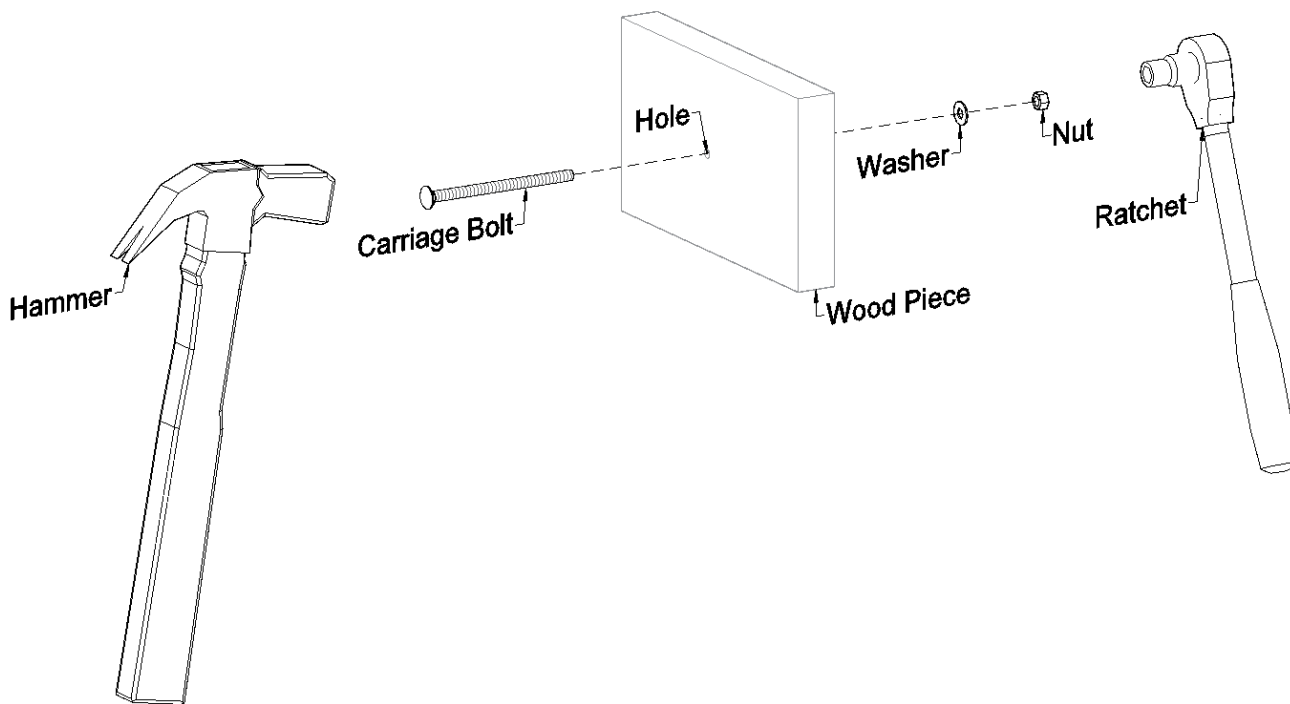


NOTE: Assembly is best done by two people. To assemble your product, you need a Hammer, a Ratch, a Drill, and an impact drill.



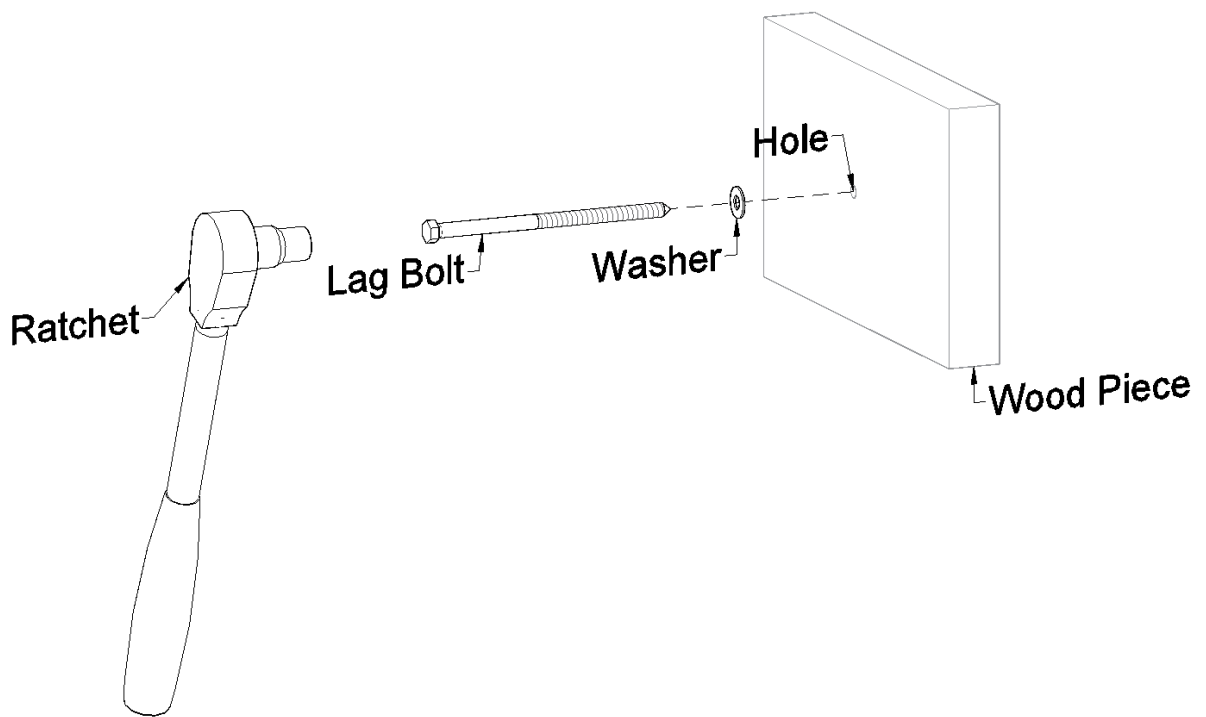
Required Tools (Are not included in your hardware packing).

PROCESS TO INSTALL THE HARDWARE PROVIDED.



To install the bolts.

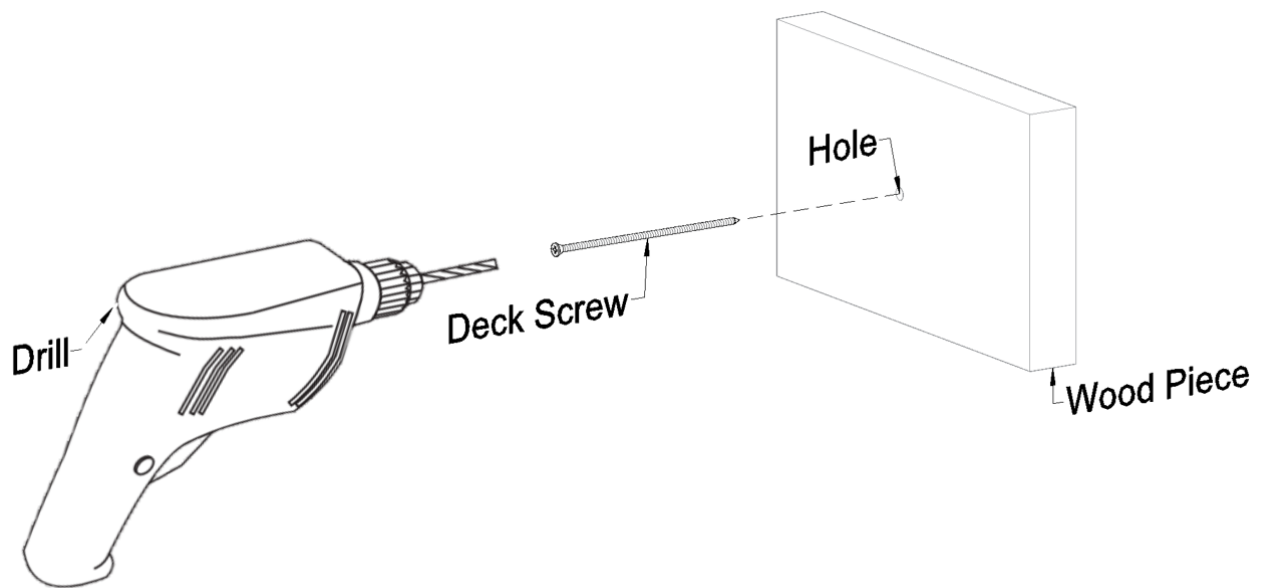
Insert the carriage bolts into the holes and lightly tap with a hammer until the square neck fit in the wood piece and the bolt head must flush with the wood piece. Finally, place the washer and the nut and carefully tighten it using a ratchet with the necessary socket or a wrench.



To install the lag bolts.

Place the washers in their lag bolts. After that, insert the lag bolts into the holes and carefully tighten it using a ratch with the necessary socket.










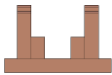
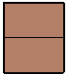


Use the washers only for the Wood Pieces.

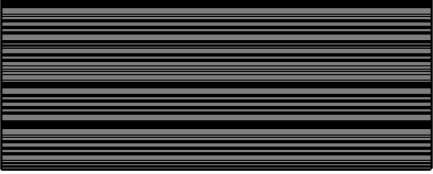


To install the deck screws.












Insert the deck screws into the holes and carefully tighten it using a drill.

CONTENT OF BOXES

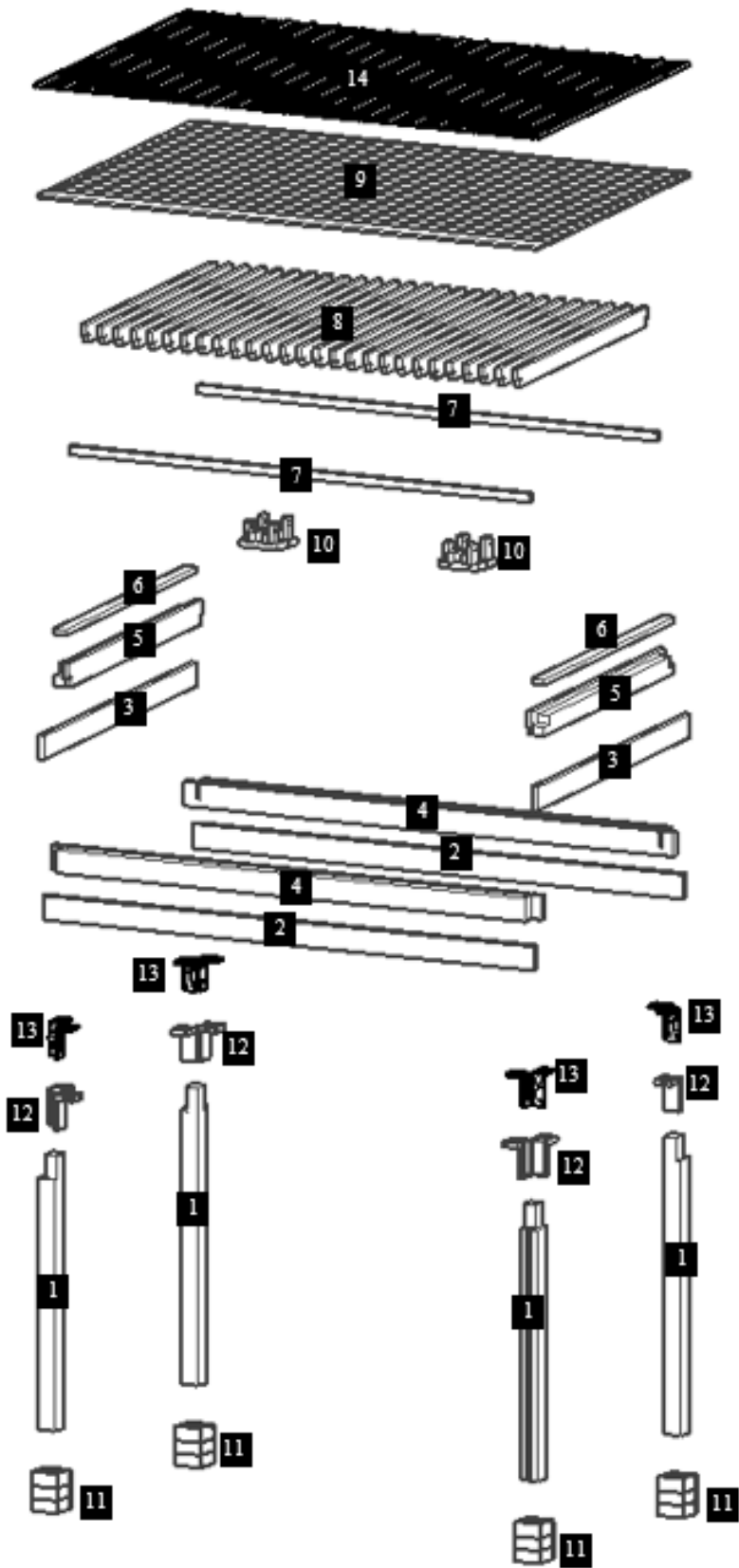
Qty.	Description	Drawings	No.
2	Posts		1
2	Single Supports-A		2
2	Single Support-B		3
2	Supports-A with Blocking		4
2	Supports-B with Blocking		5
2	Top Blocking Cover		6
2	Reinforcement Supports		7
27	Rafters		8
19	Roof Boards		9
2	Ceiling fan base		10
4	Boots		11
8	L-plaques cover		12
8	L -Plaques		13

5	Roof steel panel		14
---	------------------	--	----

Note: Part numbers in the Content of Boxes Table are for reference only. These do not match to the numbers marked on the parts sent.

HARDWARE LIST			
Qty.	Description	Drawing	No.
4	3/8" x 7 1/2" bolts		BL1
16	3/8" x 6 3/4" bolts		BL2
8	3/8" x 4" bolts		BL3
4	3/8" x 8" lag bolts		LB1
16	5/16" x 4" lag bolts		LB2
8	3/8" x 12" lag bolts		LB3
48	3/8" x 3" lag bolts		LB4
1010	3" deck screws		DS1
	#10 X 3/4" Wood Screws		WS1
28	3/8" washers		WS
100	3/8" Nuts		NS

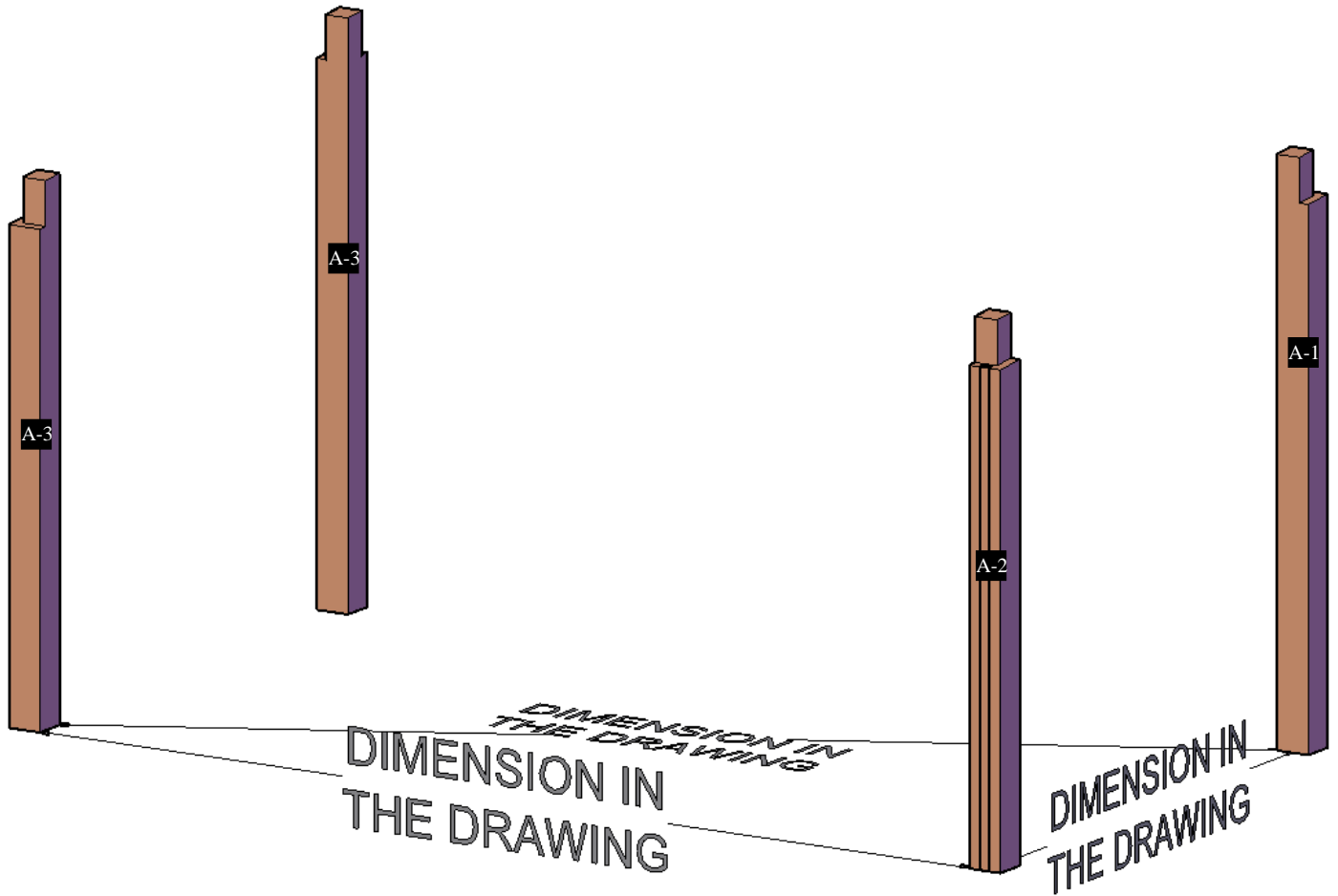
DESCRIPTION	No.
Posts	1
Single Supports-A	2
Single Support-B	3
Supports-A with Blocking	4
Supports-B with Blocking	5
Top Blocking Cover	6
Reinforcement Supports	7
Rafters	8
Roof Boards	9
Ceiling fan base	10
Boots	11
L-plaques cover	12
L -Plaques	13
Roof steel panel	14



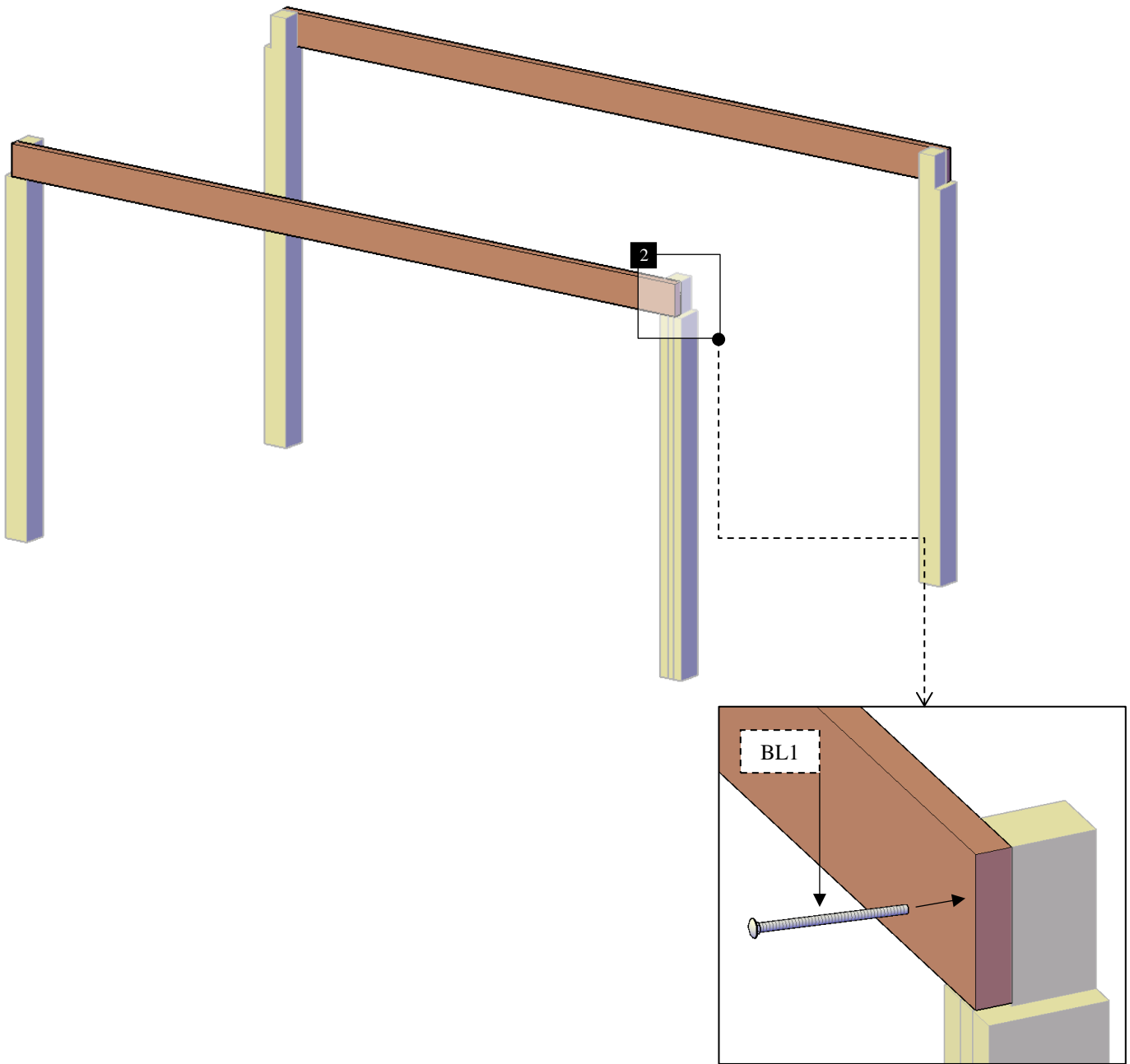
Note: Part numbers in the Drawing are for reference only. These do not match to the numbers marked on the parts sent.

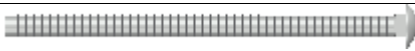


NOTE: In order to know where the post needs to be placed, check the numbers on them. If the post is not marked, then place the single Supports on the ground to locate the markings for each post position and clearly set your bearings. (“Don’t attach yet, only place them on the ground to begin with”).

Step 1: Put the post in place.



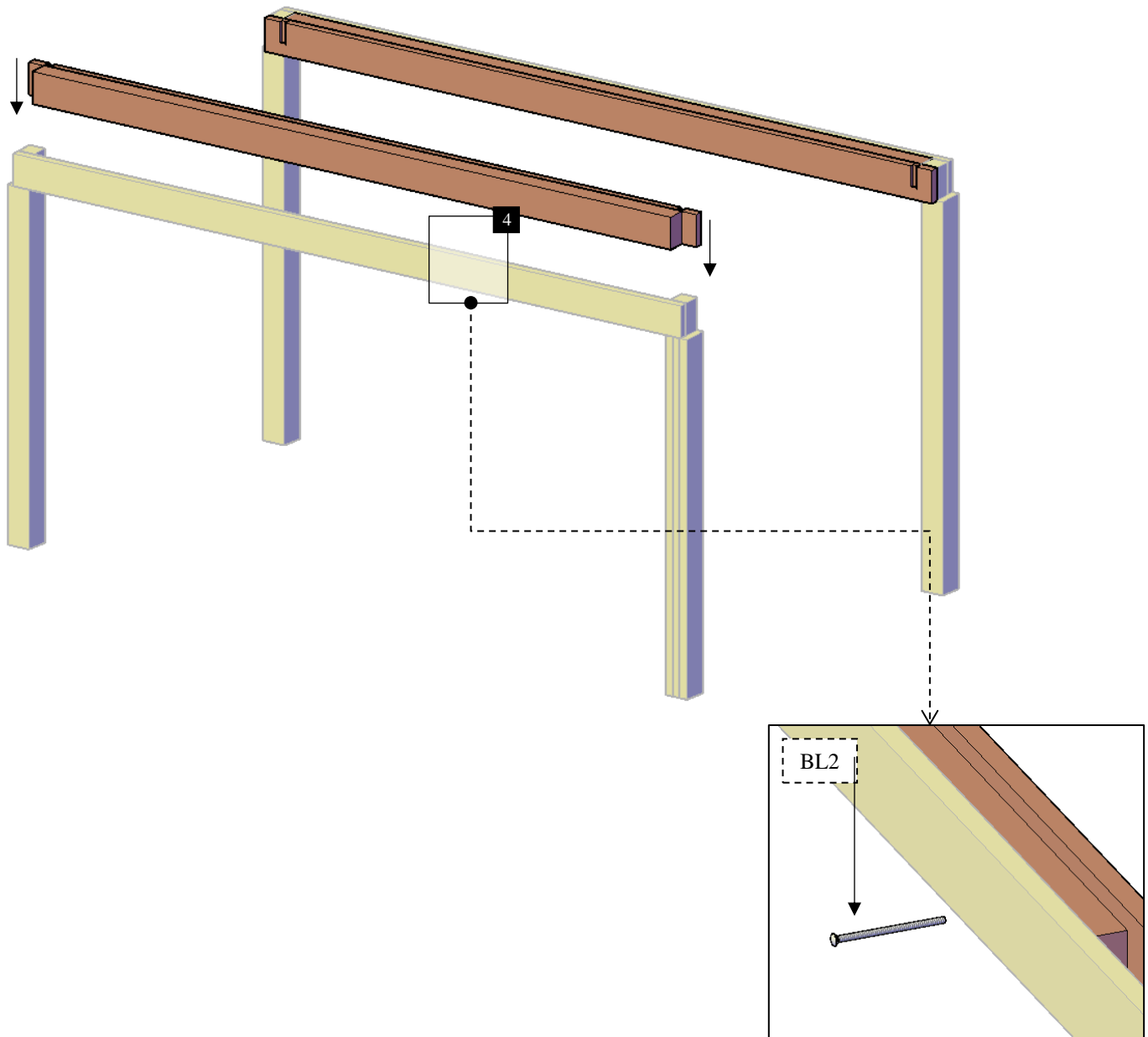
Step 2: Attach the single supports -A (2) to the posts (1) with 3/8" x 7 1/2" bolts (BL1) washers & nuts. Check the marked numbers on each single support -A and place as drawings shown.



REQUIRED HARDWARE			
Qty.	Description	Drawing	No.
4	3/8" x 7 1/2" bolts		BL1
4	3/8" washers		WS
4	3/8" Nuts		NS

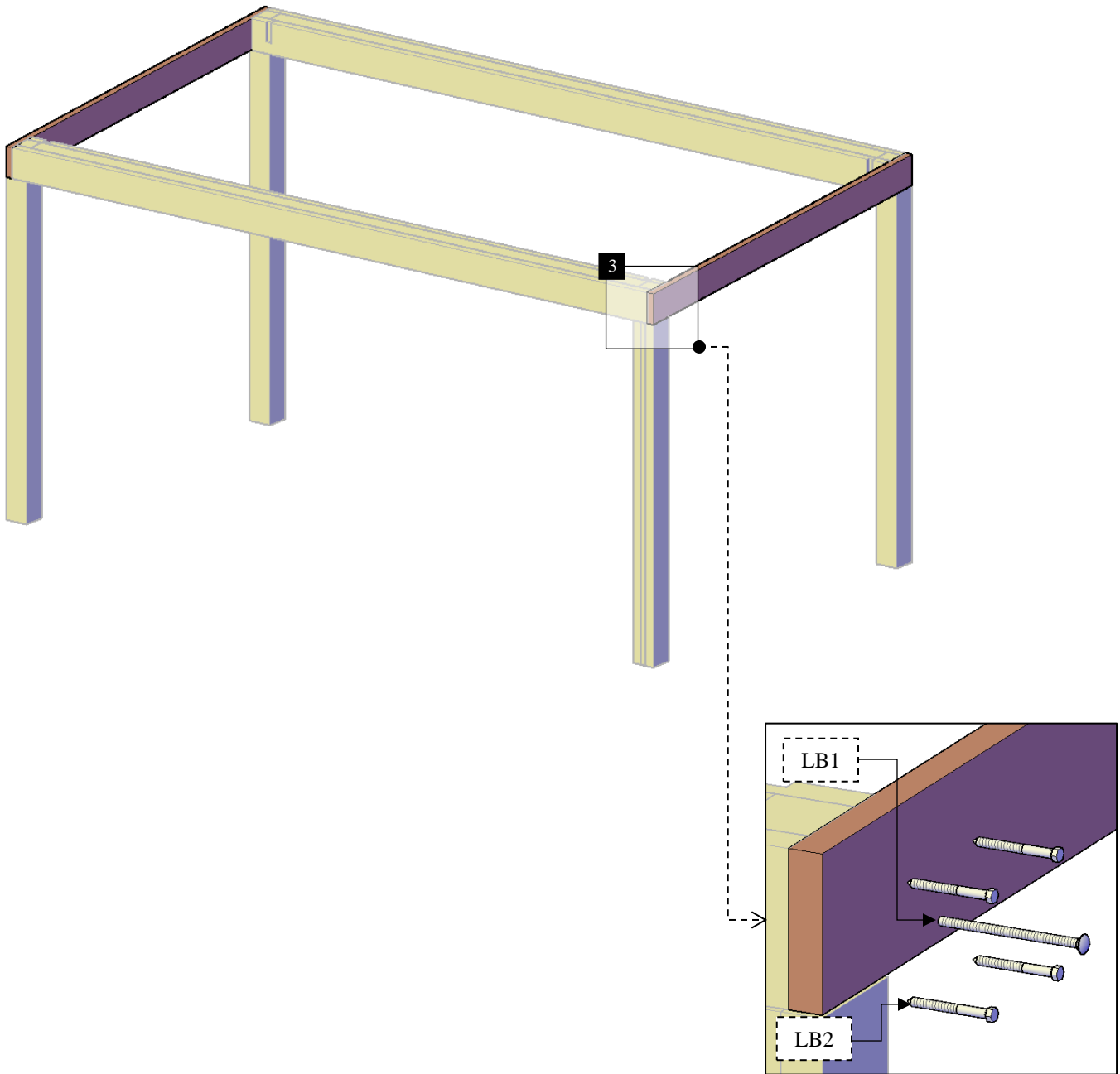
Step 3: Place the supports with blocking-A into the post notches and attach the single supports-A (2) to the supports with blocking-A (4), use 3/8" x 6 3/4" bolts (BL2) with washer and nuts. After that, return to the bolts described in the step 2 and tighten fully. Check the marked numbers on each support with in-between blocking and place as drawings shown.



Note: put silicone in joints of the supports with blocking.



REQUIRED HARDWARE			
Qty.	Description	Drawing	No.
10	3/8" x 6 3/4" bolts		BL2
10	3/8" washers		WS
10	3/8" Nuts		NS

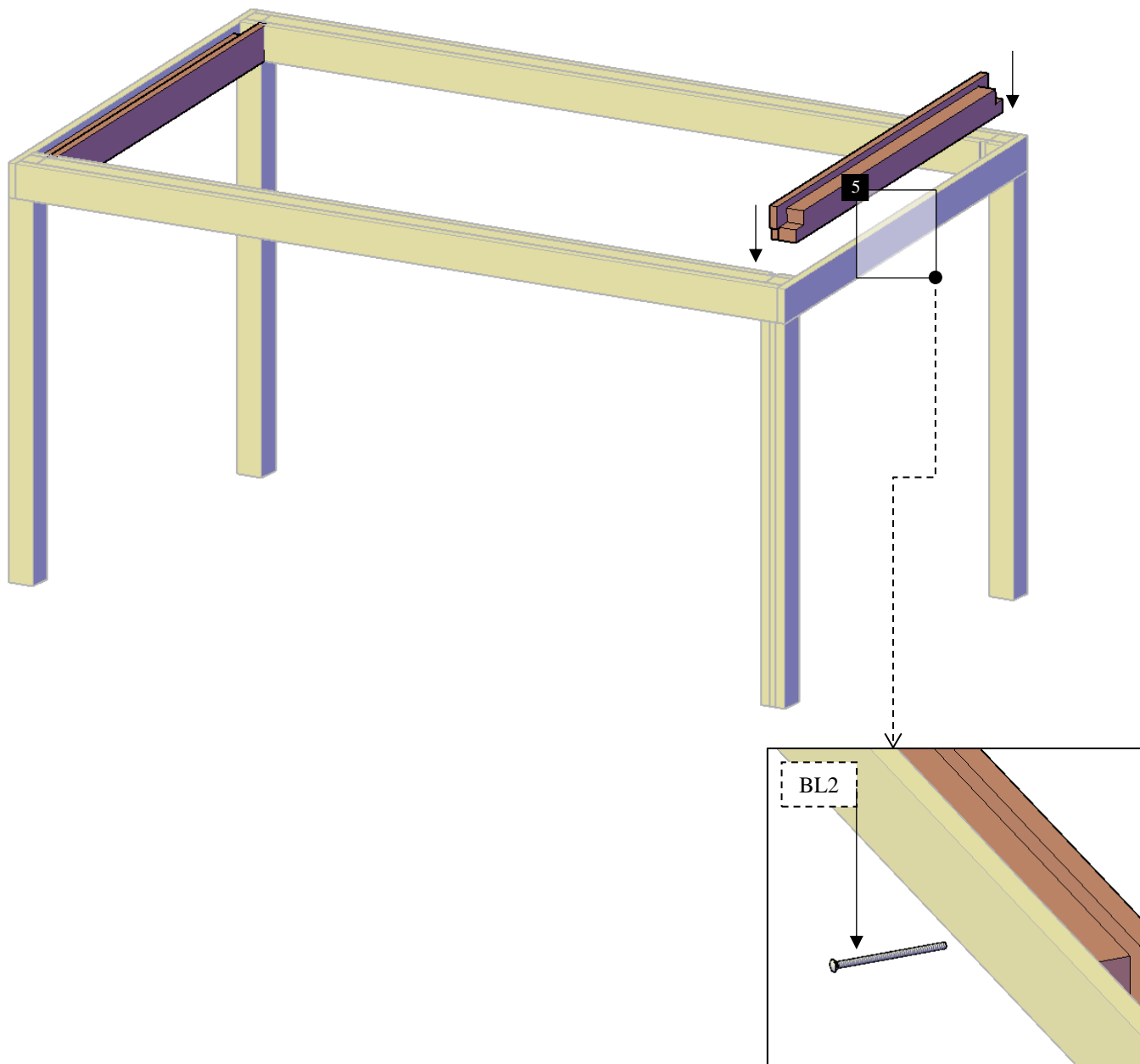
Step 4: Use 3/8" x 8" lag bolts (**LB1**) with washers & nuts to attach the single support -B (**3**) to the posts (**1**). After that use 3/8" x 4" lag bolts (**LB2**) to the single supports -A (**3**). Check the marked numbers on each single support -B and place as drawings shown.






REQUIRED HARDWARE			
Qty.	Description	Drawing	No.
4	3/8" x 8" lag bolts		LB1
16	3/8x 4" lag bolts		LB2

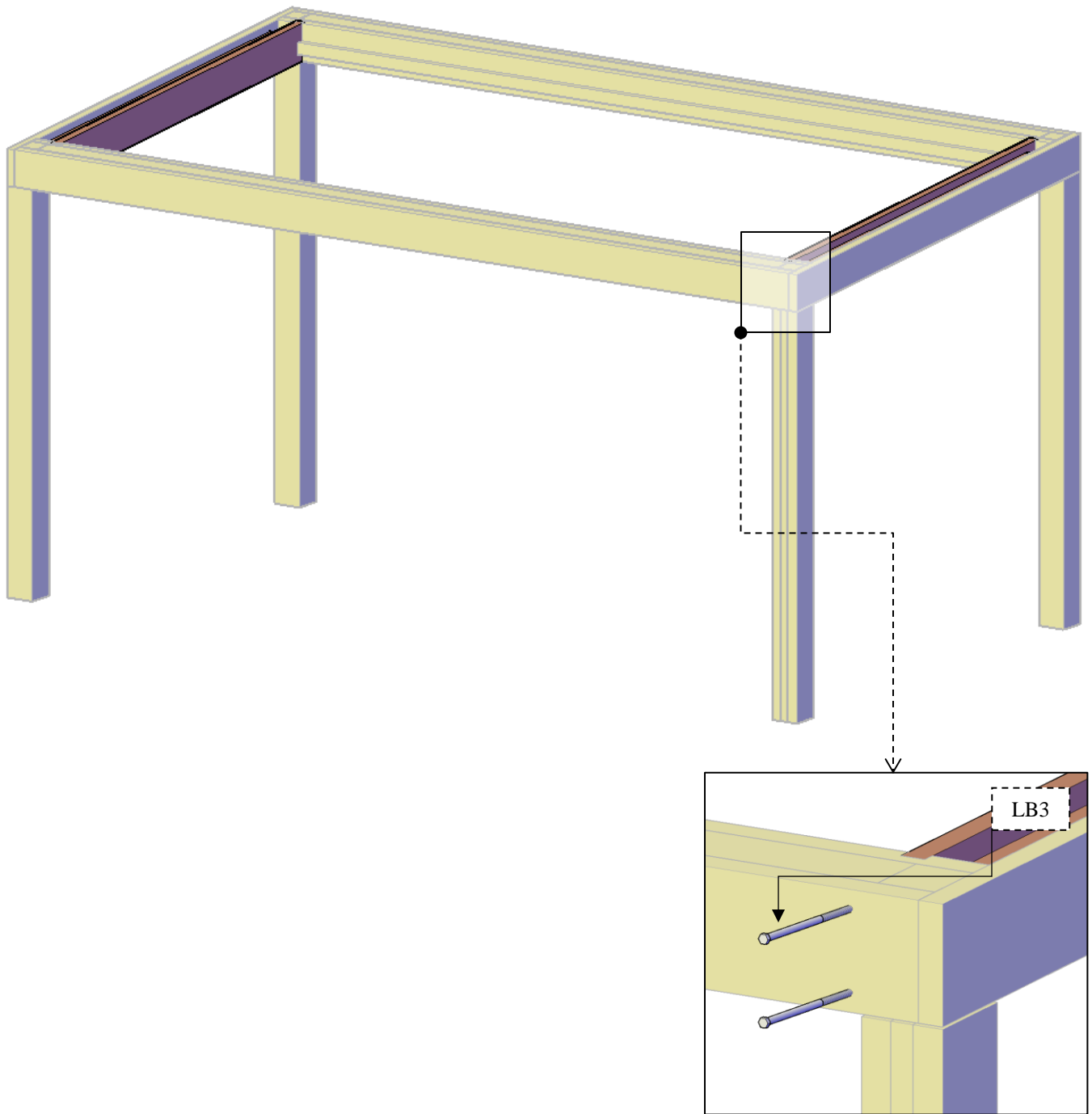
Step 5: Place the supports with blocking-B into the post notches and attach the single supports-B (3) to the supports with blocking-B (5), use 3/8" x 6 3/4" bolts (BL2) with washer and nuts. After that, return to the bolts described in the step 4 and tighten fully. Check the marked numbers on each support with in-between blocking and place as drawings shown.


Note: put silicone in joints of the supports with blocking.



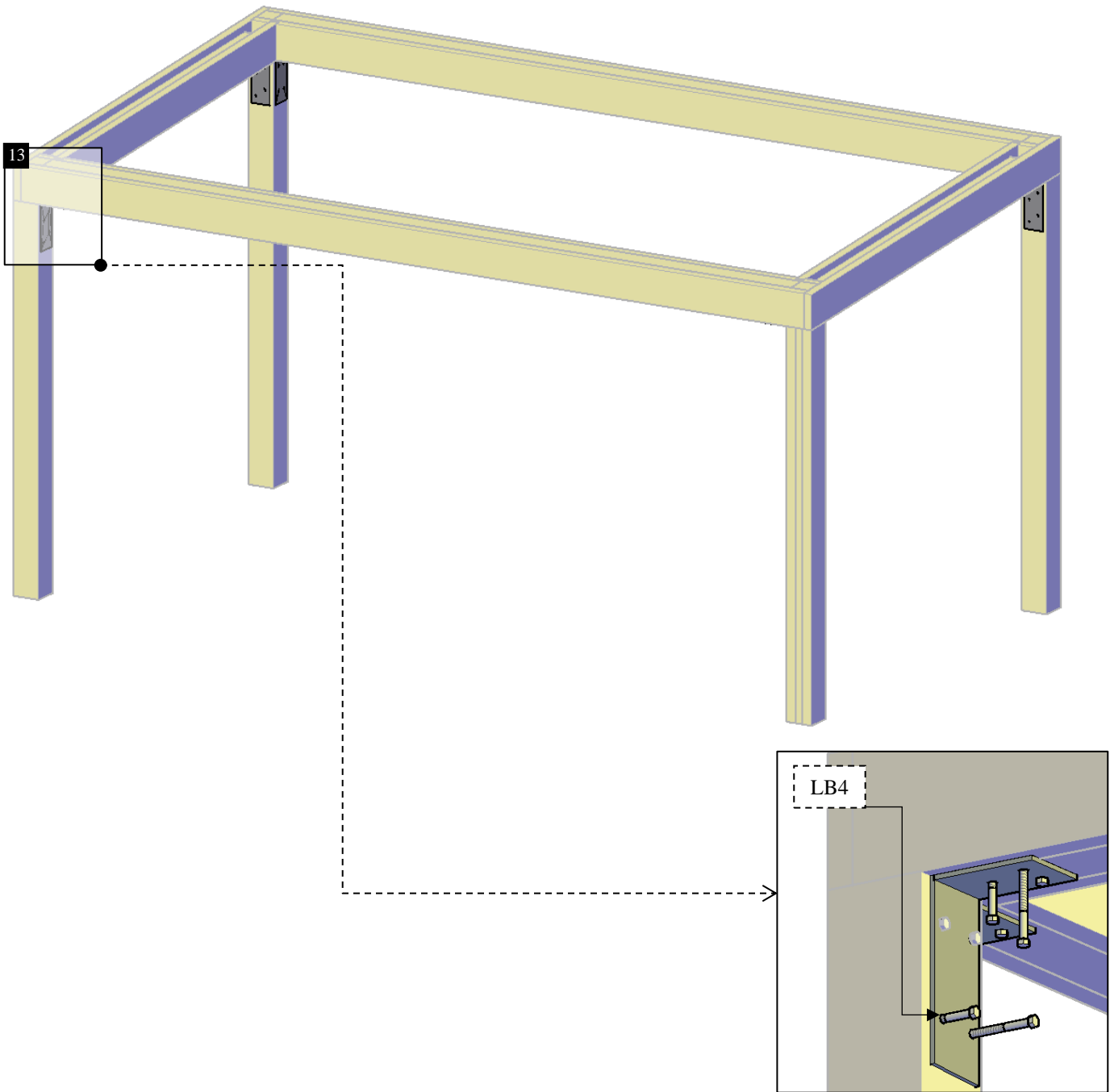
REQUIRED HARDWARE			
Qty.	Description	Drawing	No.
6	3/8" x 6 3/4" bolts		BL2
6	3/8" washers		WS
6	3/8" Nuts		NS


Step 6: Attach the supports with blocking-B (5) to the supports with 3/8" x 12" lag bolts (LB3). Check the marked numbers on each support with in-between blocking and place as drawings shown.



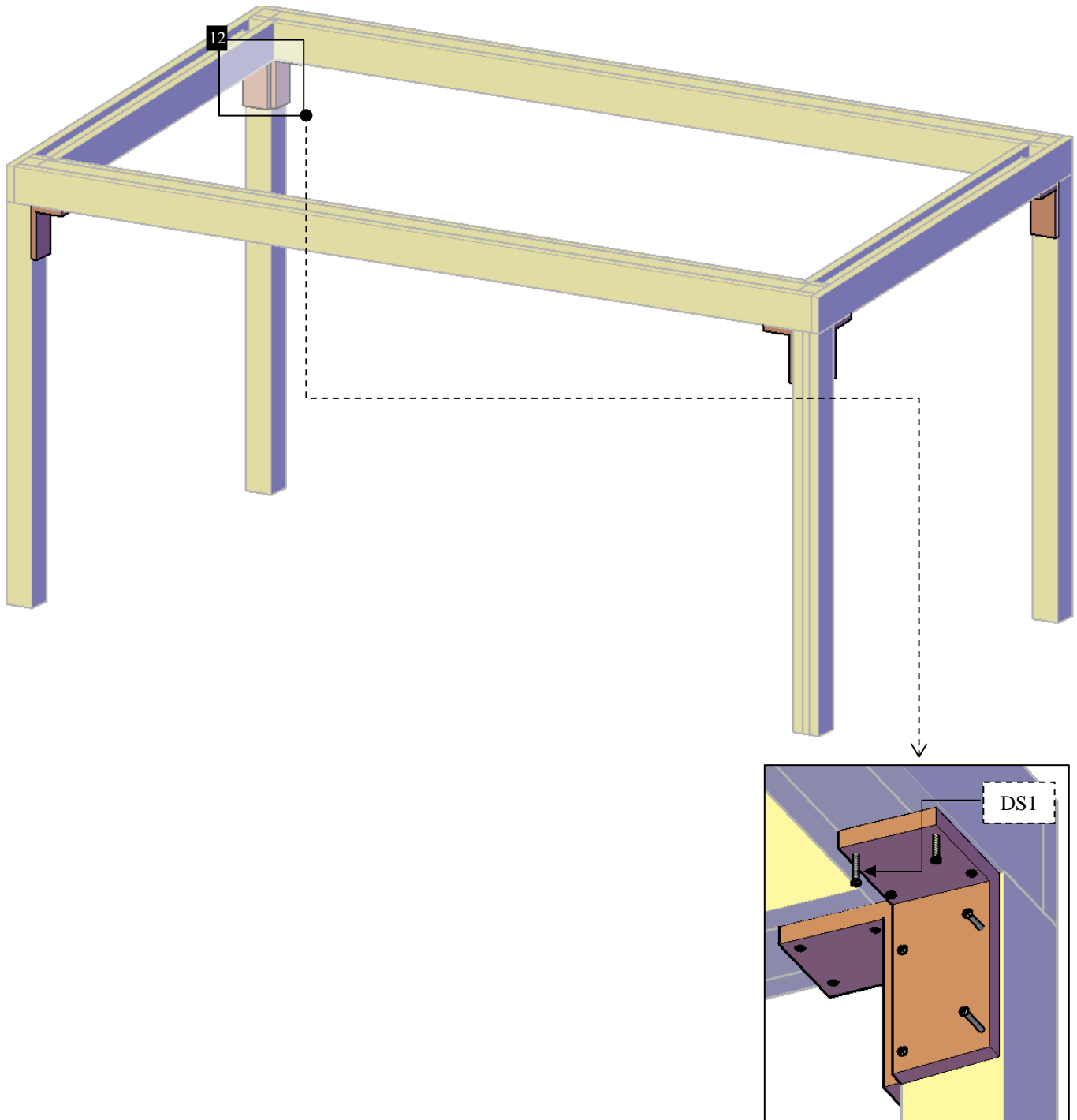
REQUIRED HARDWARE			
Qty.	Description	Drawing	No.
8	3/8" x 12" lag bolts		LB3


Step 7: Use 3/8" x 3" lag bolts (LB4) to attach the L -plaque (13) to the posts (1) and to the supports with blocking (5).



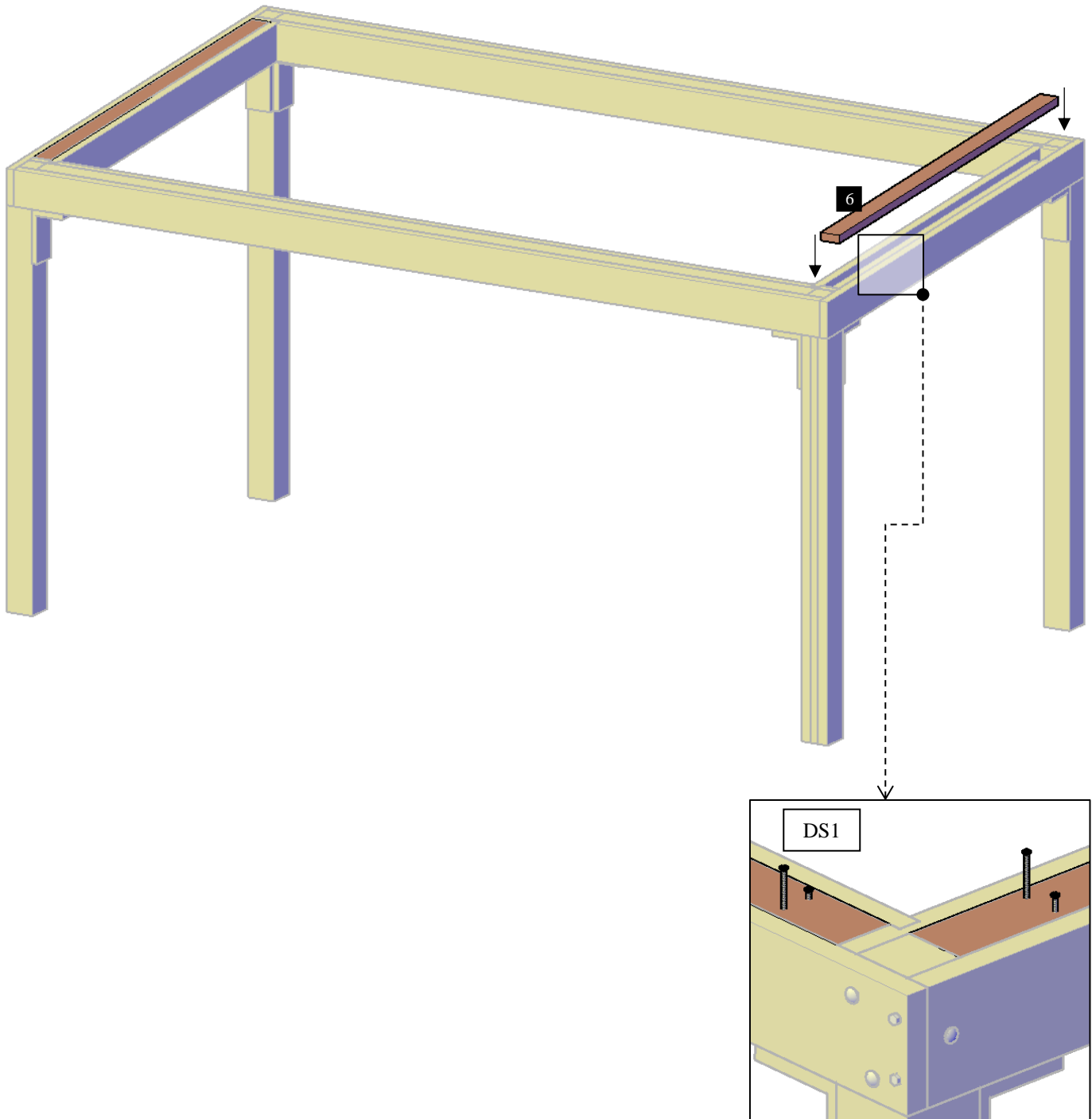
REQUIRED HARDWARE			
Qty.	Description	Drawing	No.
48	3/8" x 3" lag bolts		LB4


Step 8: Attach the L-plaques cover (12) to the posts (1) and to the supports with 3” deck screws (DS1). Check the marked numbers on each wood cover top and place as drawings shown.



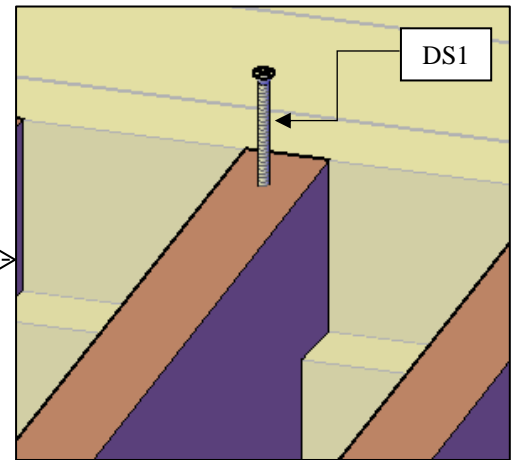
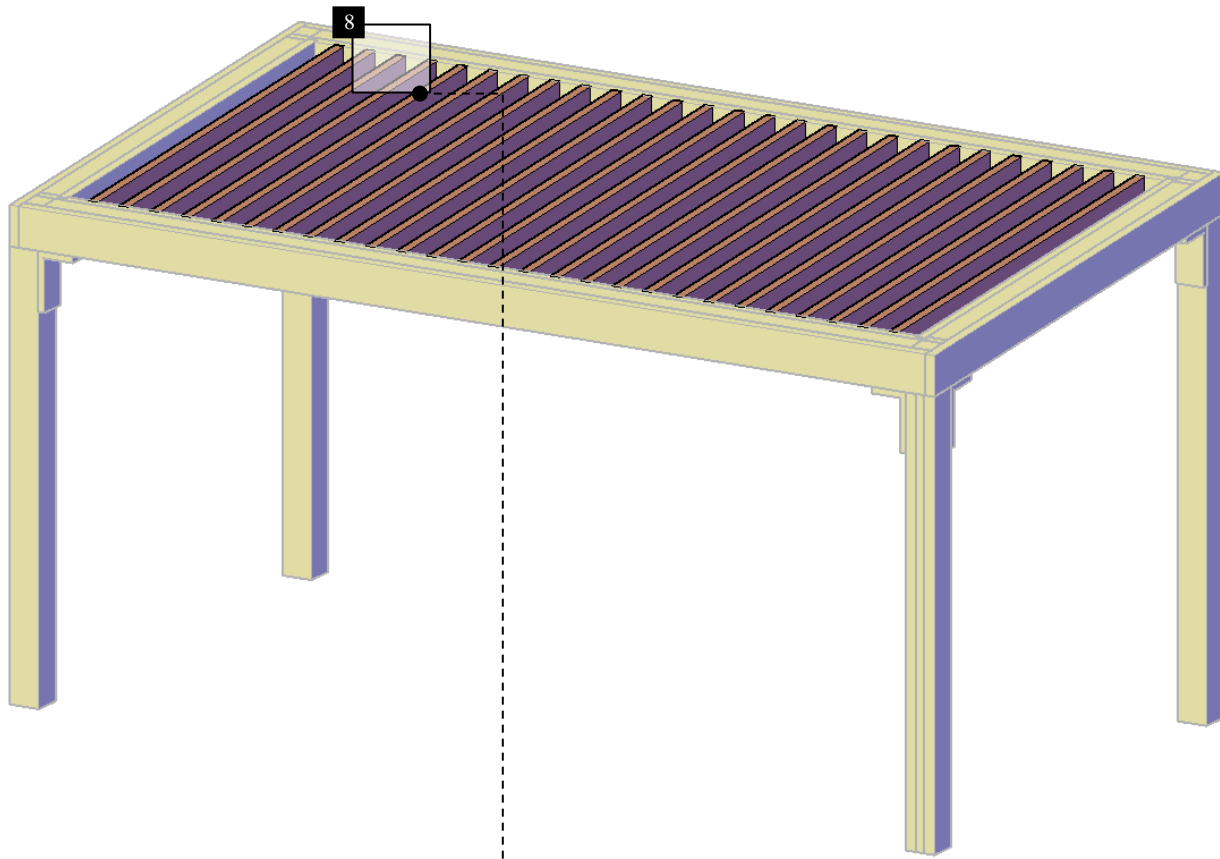
REQUIRED HARDWARE			
Qty.	Description	Drawing	No.
25	3” deck screws		DS1


Step 9: Attach the top blocking cover (6) to the supports with 3" deck screws (DS1). Check the marked numbers on each in-between blocking cover and place as drawings shown.



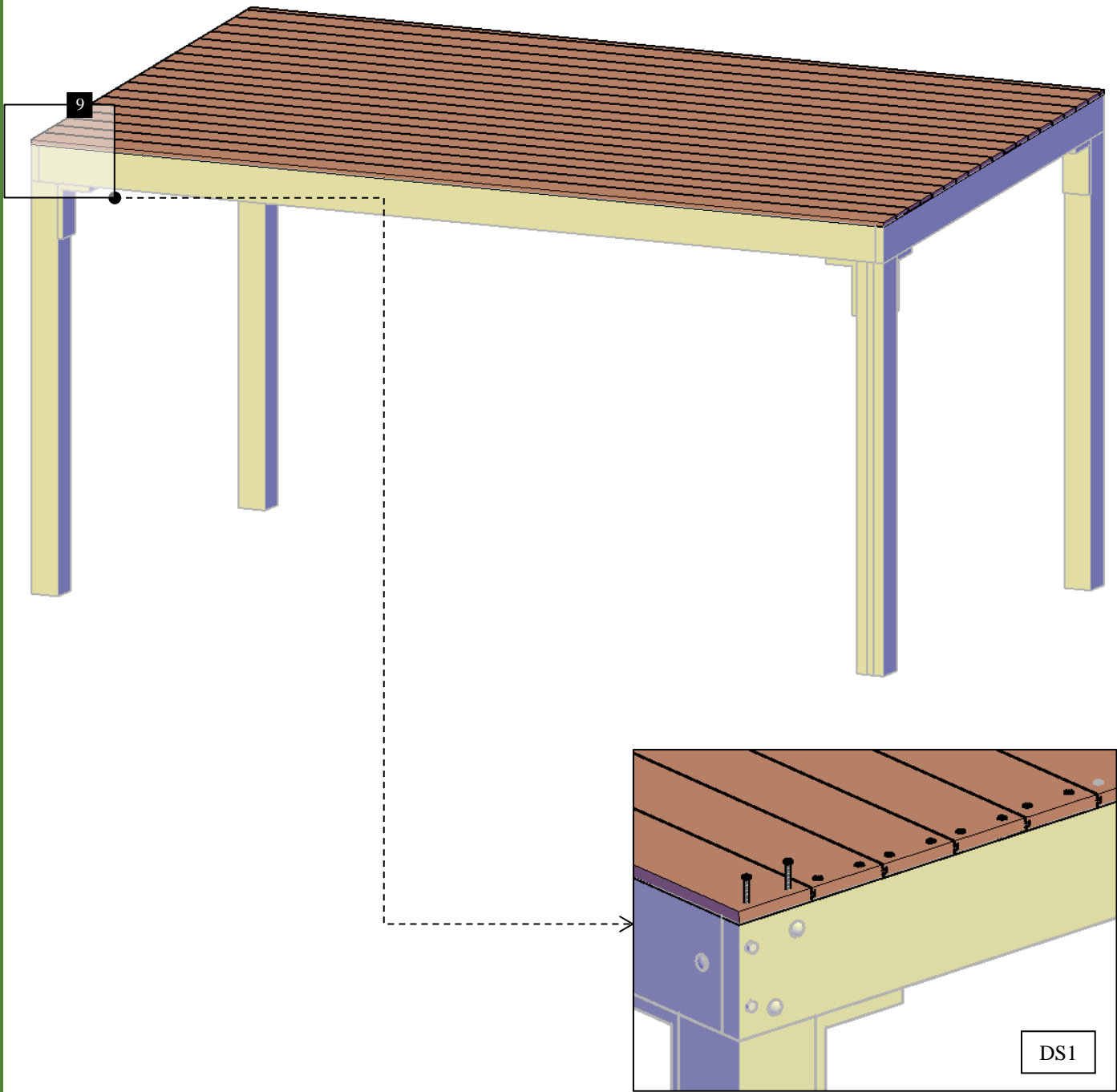
REQUIRED HARDWARE			
Qty.	Description	Drawing	No.
50	3" deck screws		DS1


Step 10: Attach the rafter (8) to the reinforcement support (7) with 3” deck screws (DS1). Check the marked numbers on each rafter and place as drawings shown.



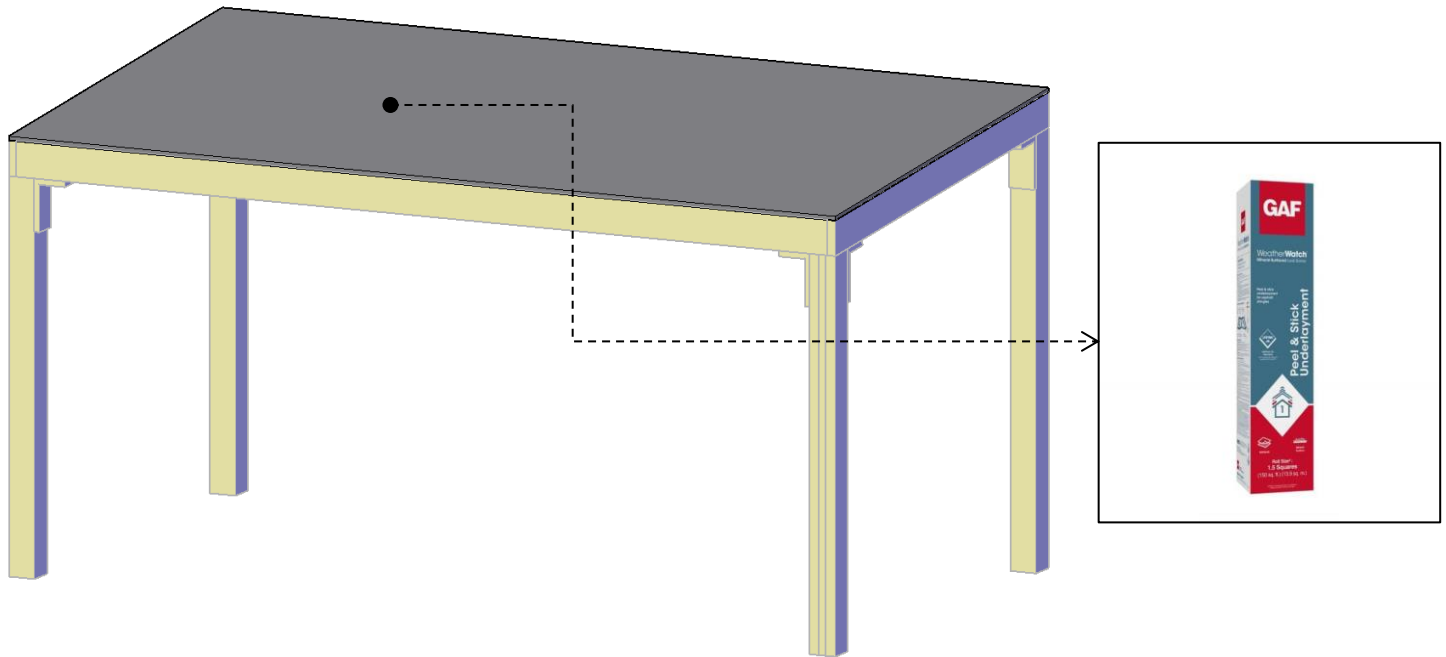
REQUIRED HARDWARE			
Qty.	Description	Drawing	No.
60	3” deck screws		DS1

Step 11: Attach the roof board (9) to the rafters (8) with 3" deck screws (DS1). Check the marked numbers on each roof board and place as drawings shown.

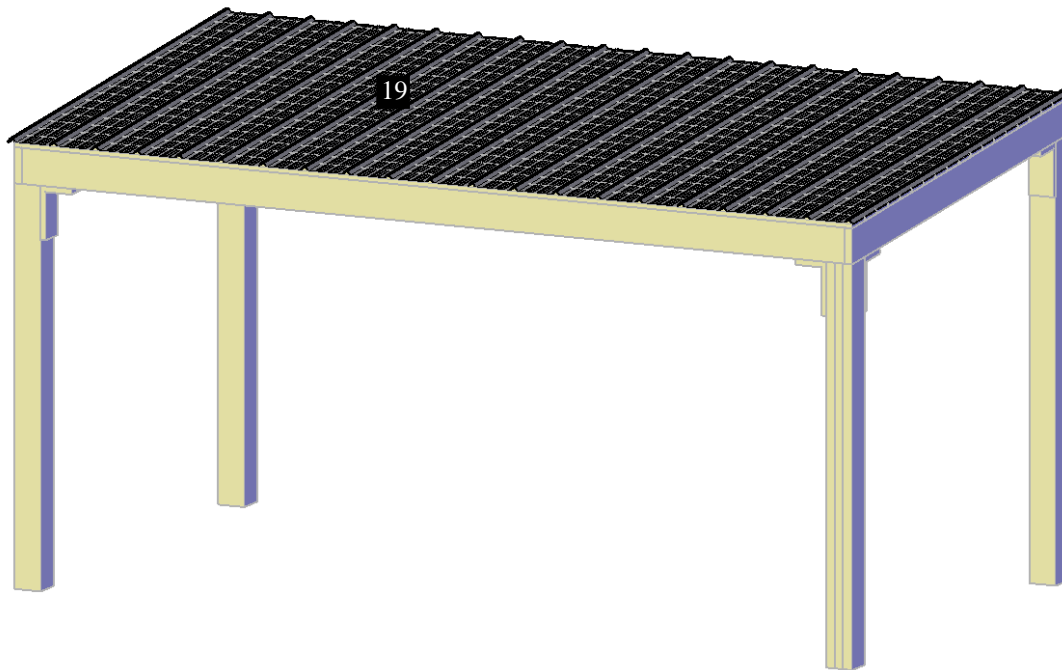


REQUIRED HARDWARE			
Qty.	Description	Drawing	No.
850	3" deck screws		DS1

Step 12: First, measure the roof panels. After that, cut the Weather Watch 36 in. x 50 ft., 150 sq. ft. Mineral-Surfaced Peel and Stick Roof Leak Barrier Roll to the roof panels

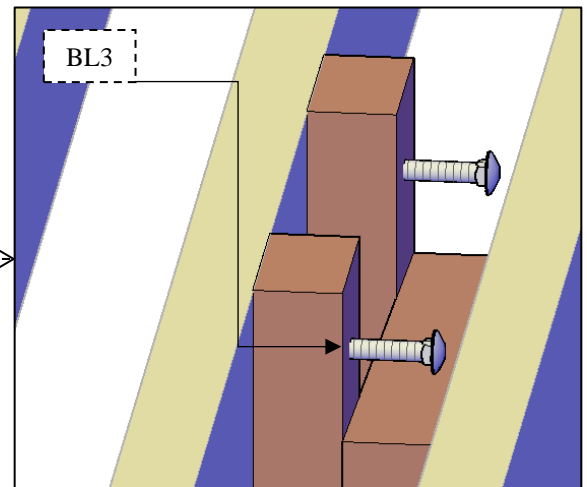
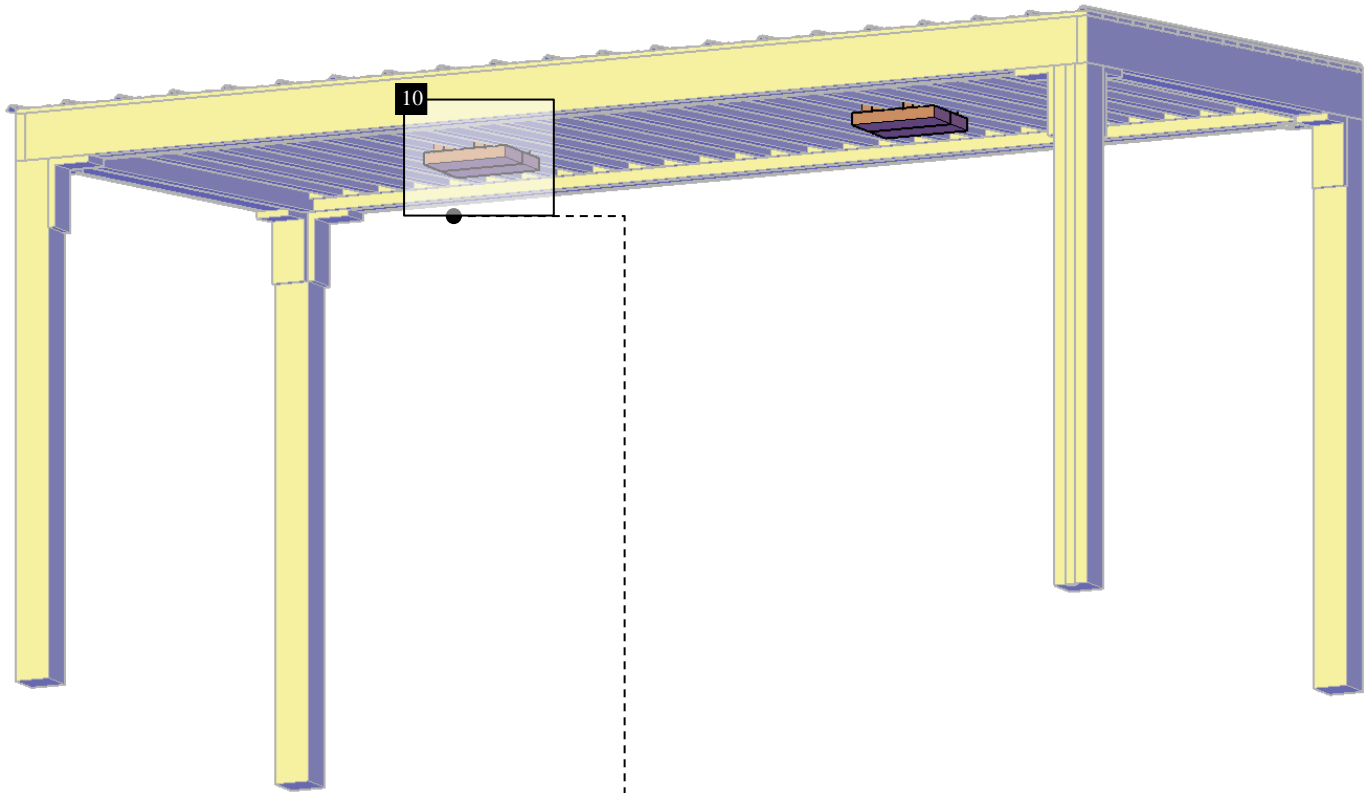



Step 13: Use #10 X 3/4" Wood Screw (WS1), hex head with Neoprene Washer to attach the steel roof panels (19) to the roof boards (14). The overlapping between these steel roof panels it will be approximately of 2".



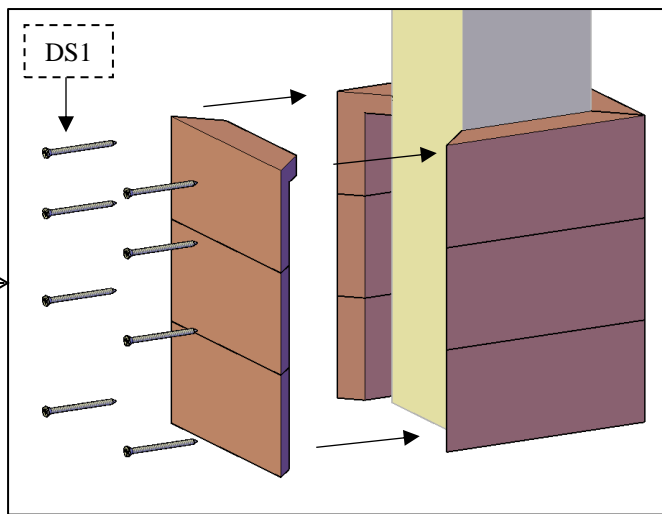
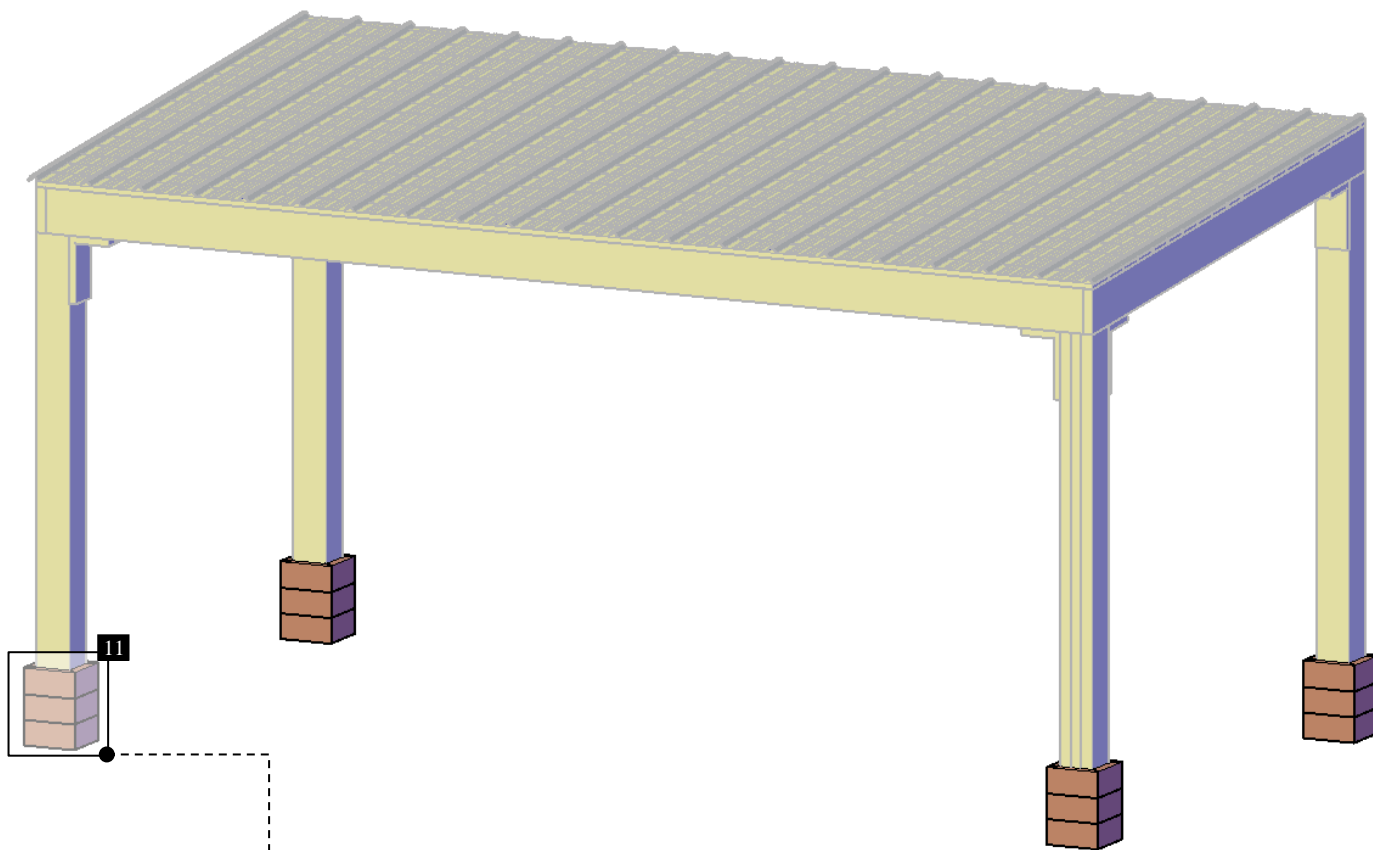
REQUIRED HARDWARE			
Qty.	Description	Drawing	No.
	#10 X 3/4" Wood Screws		WS1


Step 14: Attach the ceiling fan bases (10) to the rafters (8) with 3/8" x 4" bolts (BL3). Check the marked numbers on each roof board and place as drawings shown.

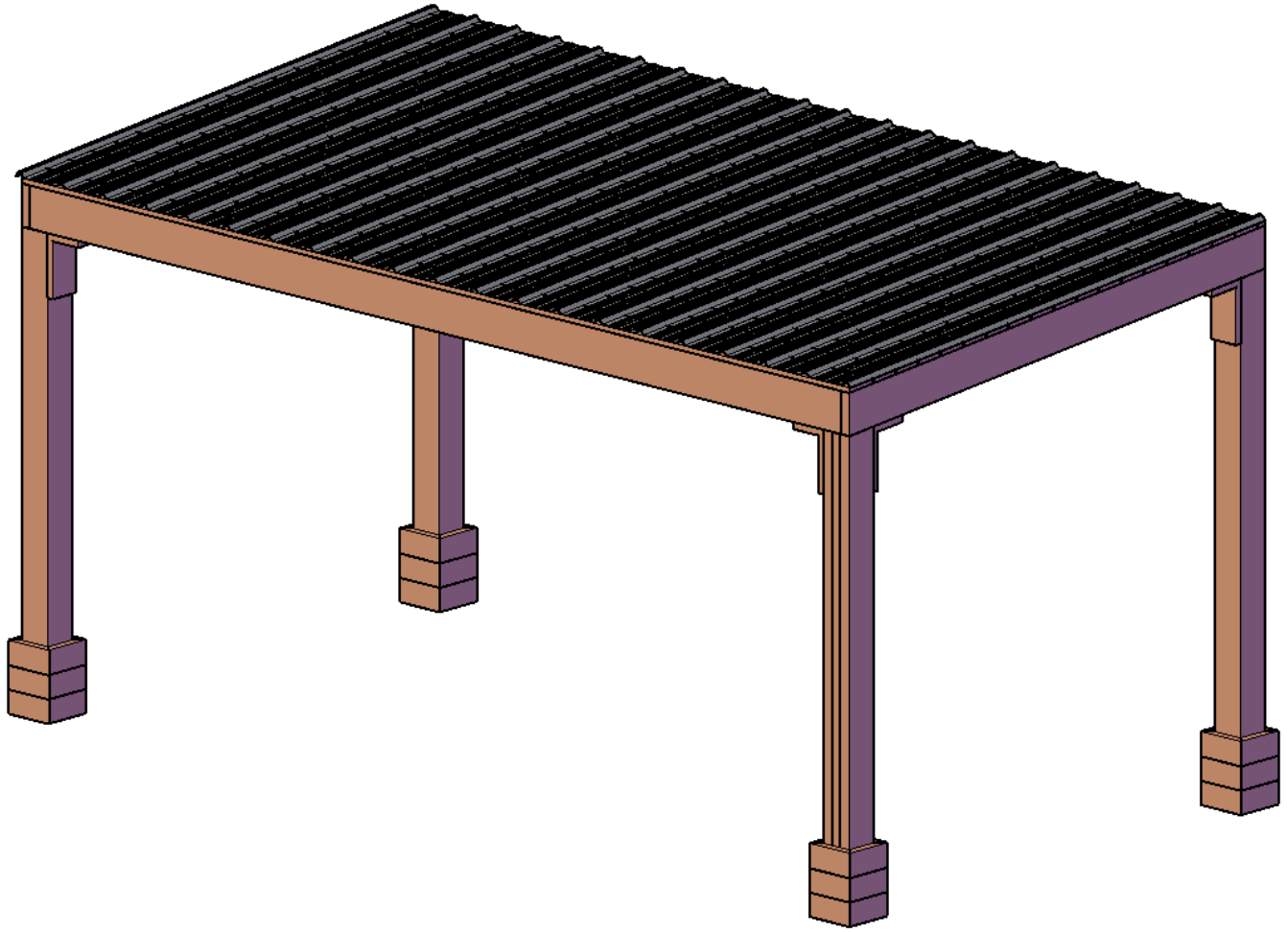


REQUIRED HARDWARE			
Qty.	Description	Drawing	No.
8	3/8" x 4" bolts		BL3

Step 15: Finally, use 3” deck screws (**DS1**) to attach the boot (**11**) to the posts (**1**).



REQUIRED HARDWARE			
Qty.	Description	Drawing	No.
25	3” deck screws		DS1



This completes the Porch Pavilion Assembly. Hope you enjoy your set for many decades. If you ever have a problem or a question, don't hesitate to call us (866 332 2403) or email us. We are here to support you.