







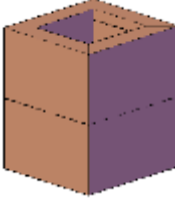








866.332.2403 (Toll Free); 7am-7pm Pacific Time, Monday-Saturday

Assembly instructions for: **ENCLOSED GARDEN PERGOLAS**



CONTENT OF BOXES

QUANTITY	DESCRIPTION	DRAWING	
4	Posts		
4	Dual Support Beams (usually ship in 2 parts that include blocking timber(s) attached to one of the 2 dual supports)		
Quantity will vary depending on size	Rafters		
Quantity will vary depending on size	Roof Slats		
Quantity will vary depending on size (if you ordered with lattice panels)	Roof Lattice Panels		
Quantity will vary depending on size	Privacy Panels		
4	Main Knee Braces (strengthen union between posts and dual support timbers)		
4	Secondary Knee Braces (strengthens union between posts and rafters)		
4	Trim pieces for bottom of posts		
Depending on size	Hardware: Bolts and deck screws	Deck Screws 	Bolts, washers and nuts 

<p>4 (if you ordered)</p>	<p>Anchors (U brackets, Gale Wind or hurricane anchors)</p>	<p style="text-align: right;">Hurricane anchors</p> <div style="display: flex; justify-content: space-around; align-items: center;"> <div style="text-align: center;"> <p>U brackets</p>  </div> <div style="text-align: center;"> <p>Gale Wind</p>  </div> <div style="text-align: center;">  </div> </div>
<p>1 (if you ordered)</p>	<p>Ceiling Fan base</p>	

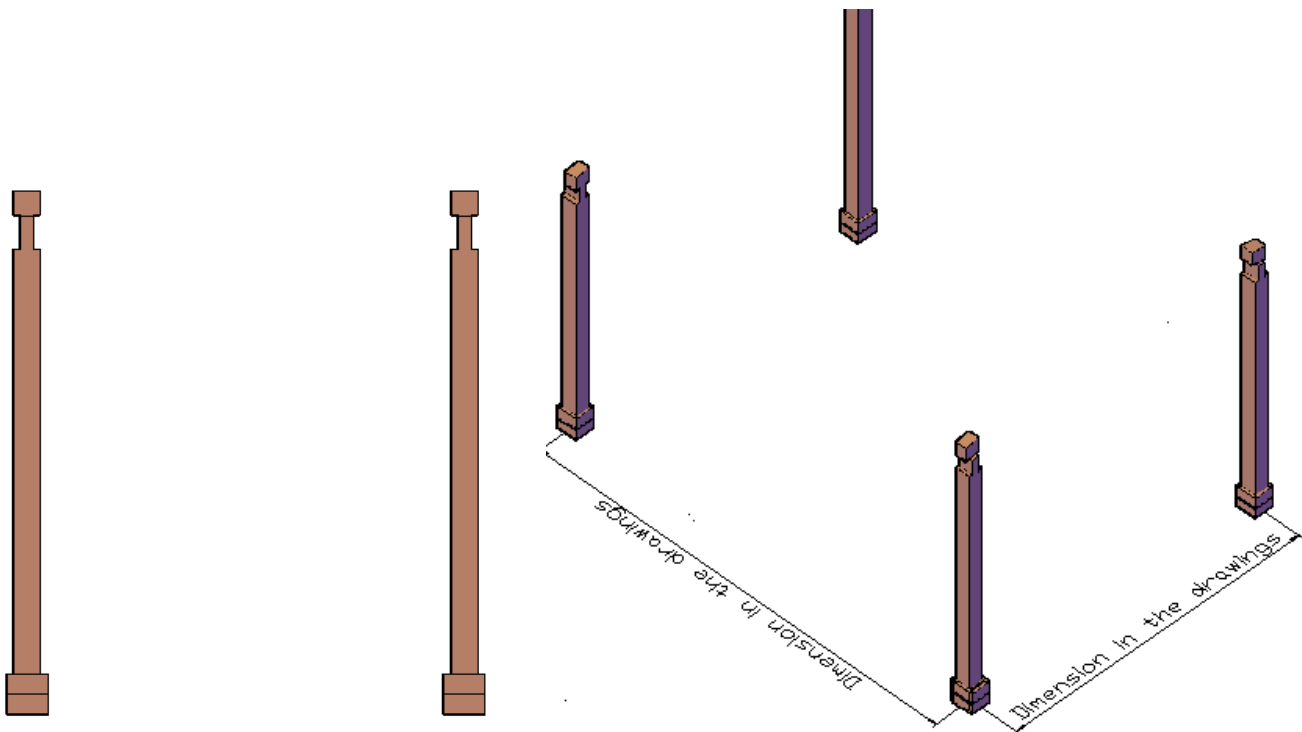
ASSEMBLY INSTRUCTIONS

All Pergolas are completely erected in the shop prior to crating for shipping. All hardware is included. All parts are fully sanded, routed, notched, drilled and numbered for ease of reassembly. The parts that go together have the same numbers/letters written next to the predrilled holes they attach to.

All Pergola parts are notched into the part they connect to. You'll find the numbers next to the notches and/or drill holes. Before beginning re-assembly, place the parts that go together on the ground with one another so you don't have to be searching around in the middle of the reassembly. Most pergolas take less than one day to reassemble with one helper. Very large pergolas (6 posts or larger) usually require a second day to finish up.

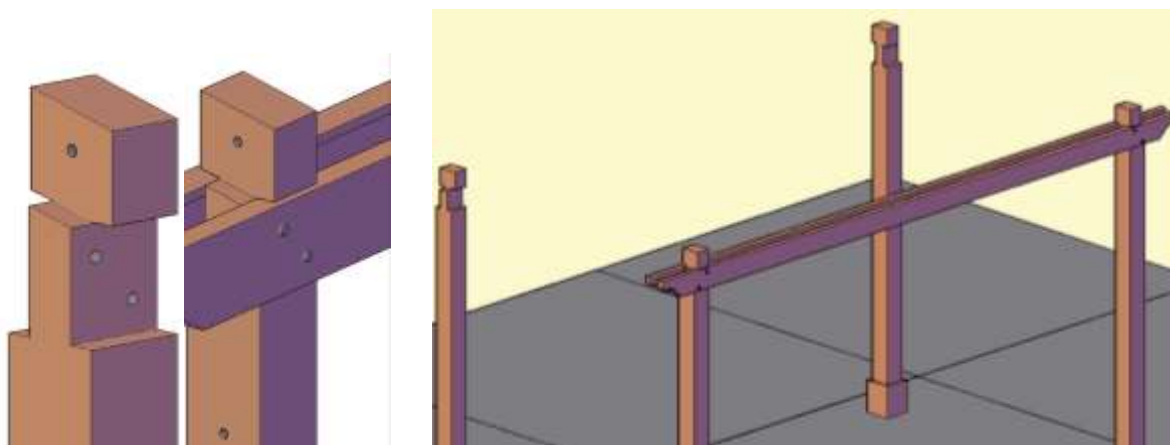
Note: print the drawings that you approved before start the construction, they are needed to see the distances between the posts.

Step 1. Attach the post to the ground. There are different ways to do it. Please see the **How to anchor your pergola document**.

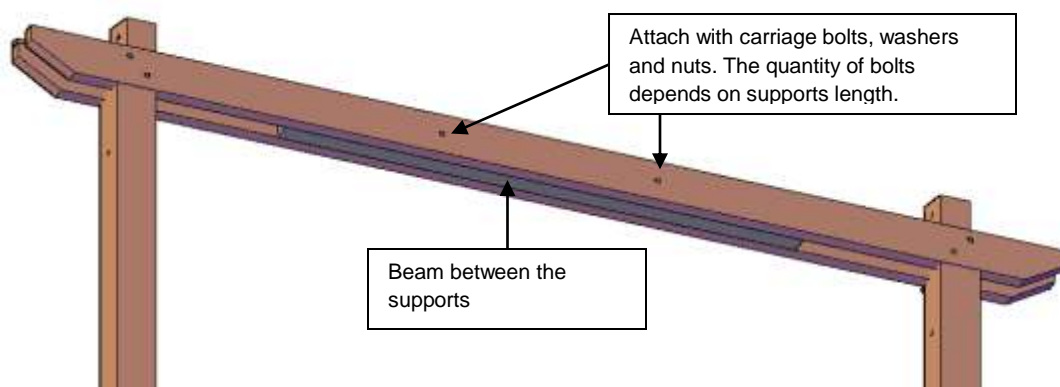


Step 2. Attach dual support beam to posts with four bolts (6 " x 3/8") washers & nuts. (Match numbers). Tap the bolt all the way into the wood to set it, then add a washer and nut and lightly tighten.

Repeat this step with the other dual support beam.

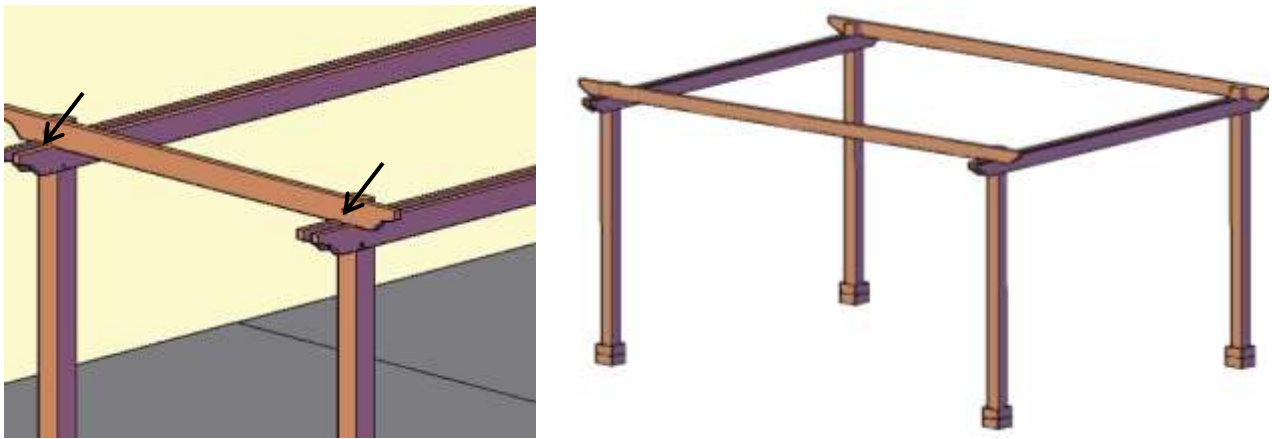


One the 2 supports have one large beam already attached or a few 18" pieces depending on size, this add support and strength to the structure. This beam must be in the interior of the support and bolted after you attach the supports to posts as shown below:



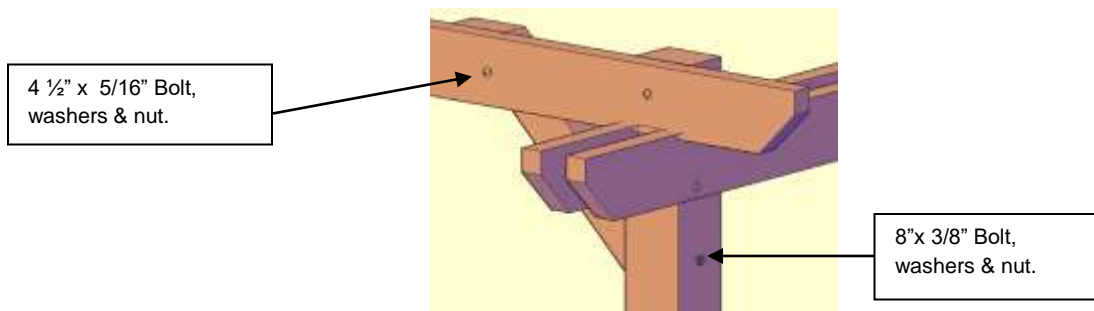
Step 3. Attach corner rafter to posts with one bolt per post (6 " x 3/8") washers & nuts. (Match numbers). Tap the bolt all the way into the wood to set it, then add a washer and nut and lightly tighten.

Repeat this step in the other side (Rafter and Posts).

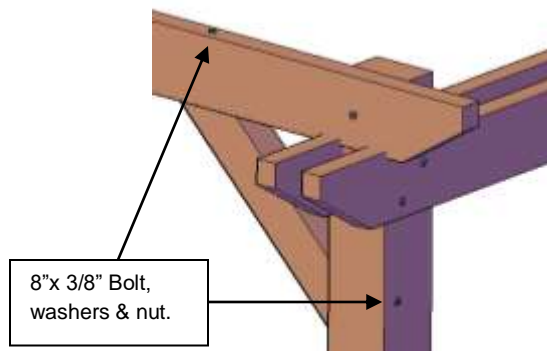


Step 4. Attach secondary knee brace to post & rafter with two bolts, washers & nuts. (Match numbers). Tap the bolt all the way into the wood to set it, then add a washer and nut and lightly tighten.

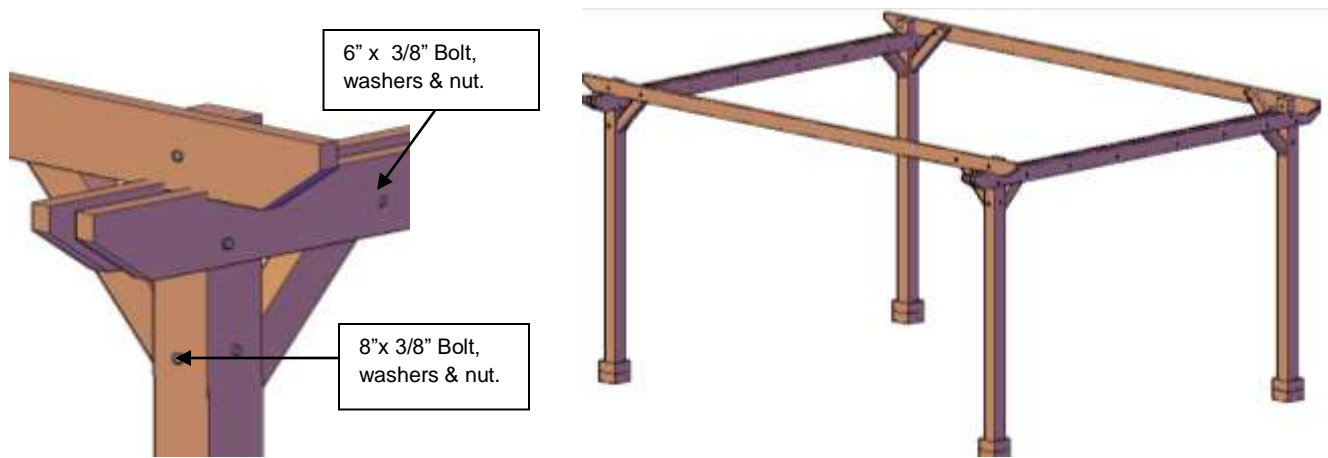
Repeat this step with the other end arch.



NOTE: if your pergola is with lattice roof , you will attach the secondary knee brace like this:

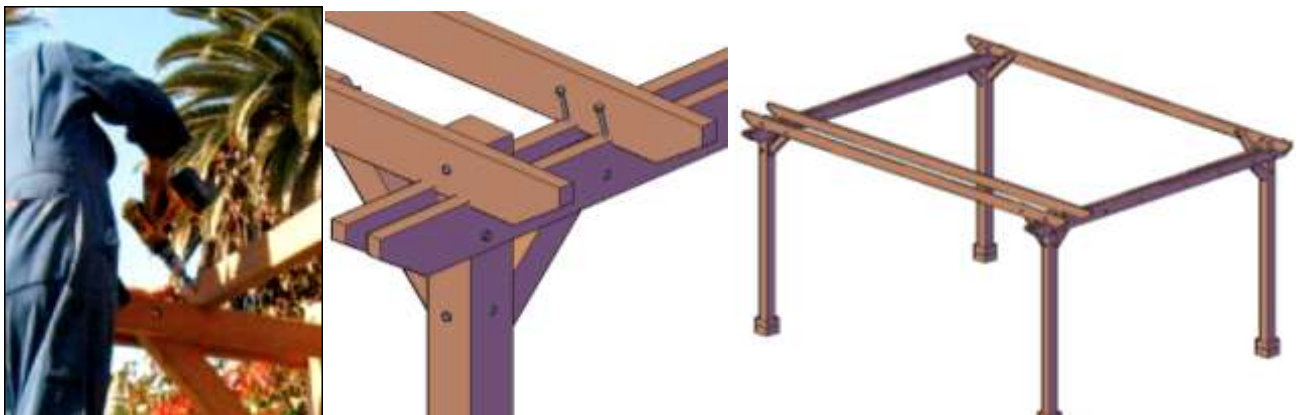


Step 5. Attach main knee brace to post & dual support beam with two bolts, washers & nuts. (Match numbers). Tap the bolt all the way into the wood to set it, then add a washer and nut and lightly tighten. Repeat this step with the other main knee braces.



OPTION A: GARDEN PERGOLA WITH RAFTERS AND SLATS

Step 6. Attach rafters to dual support beams with galvanized deck screws (3" x #8) at 45 degree angles to attach to the dual support beams. There are 8 screws used per rafter (2 per dual support beam). Make sure each rafter's notches are snugly into the dual support beams before adding the deck screws. The dual support beams have lines marking the exact spot to attach the rafter. The interior rafters do not have numbers. They are all cut identically and are interchangeable. Just make sure to stay to the markings on the dual support beams to keep the spacing exactly the same (default rafter spacing is 18" on center unless custom ordered differently). Start at one end and attach one rafter at a time from both sides and on both ends before moving to the next rafter. *And repeat the process in all Rafters.*

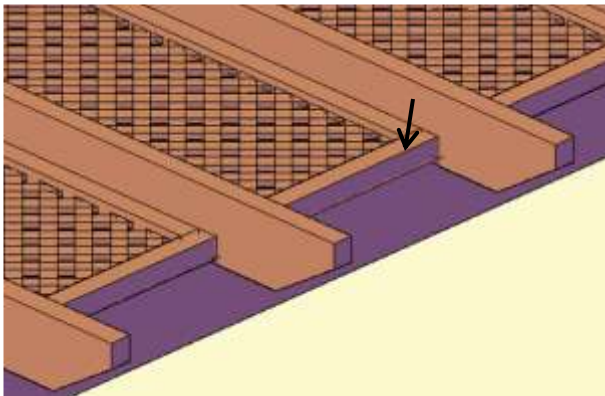


Step 7. Attach roof slats to rafters & with deck screws (3" x #8). The roof slats are all notched identically. The roof slats are notched to mesh with the rafters. The rafter tops are marked in ink every 18 inches with 2 lines. Place one roof slat into the lines on one end and begin to attach. *And repeat the process in all roof slats.*



OPTION B: GARDEN PERGOLA WITH LATTICE PANELS

Step 8. Check you set of drawings and see if right on the center atop the rafters there is a roof lattice panel or a slat. You must attach this piece first, and then continue attaching the side panels and slats. Use the deck screws supplied. Attach each rafter to dual support beams, and attach the roof lattice panels to both dual support beams and to the sides of the rafters. A screw every 2 or 3 feet is enough.



Step 9. Attach privacy panel to posts with 2 carriage bolts (7" x 3/8"), washers and nuts per side. Repeat this step for each privacy panel.



This completes the pergola assembly. Hope you enjoy your set for many decades. Thank you. If you have any questions, please call or email us.