



FOREVER REDWOOD

From the Forest, For the Forest since 1995




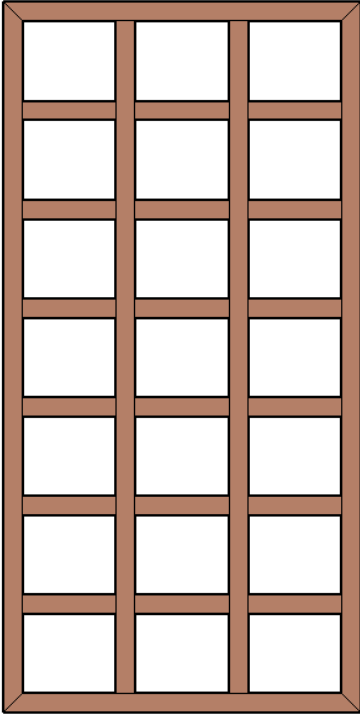
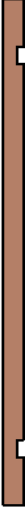


866.332.2403 (TOLL FREE); 7am – 7pm Pacific Time, Monday-Saturday

ASSEMBLY INSTRUCTIONS FOR THE **ENTRYWAY ARBOR**











CONTENT OF BOXES

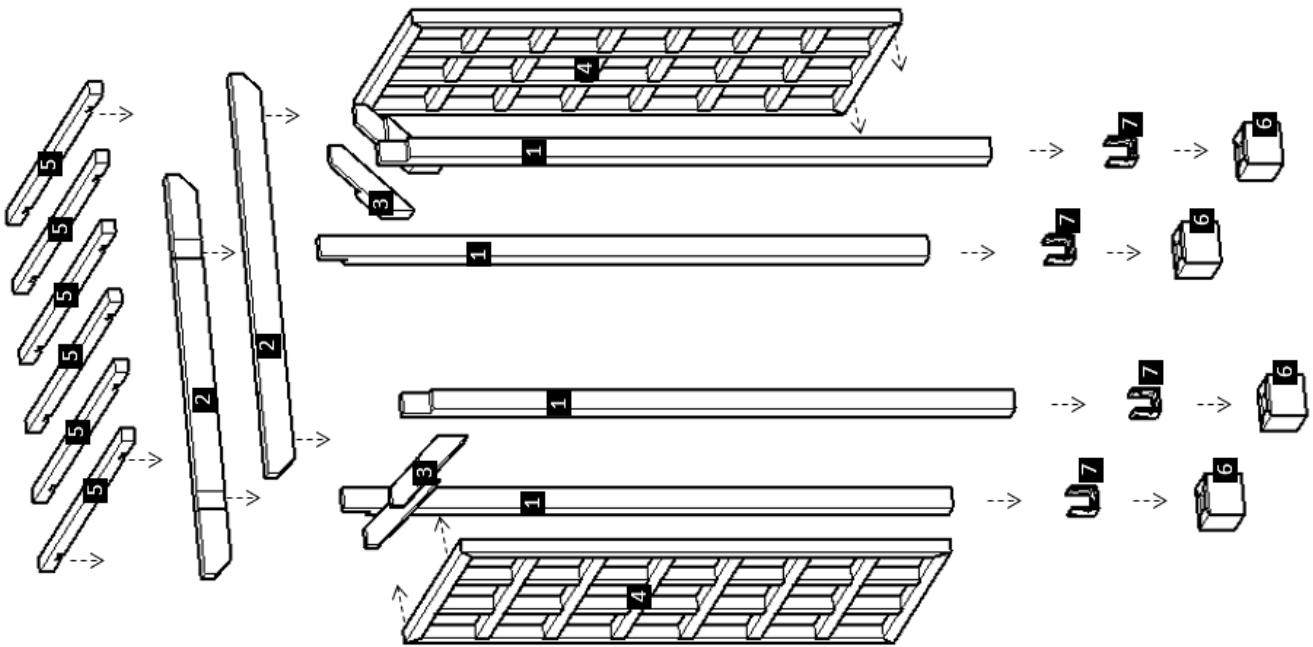
Qty.	Description	Drawing	No.
4	Posts		1
2	Supports		2
4	Knee Braces		3
2	Trellis Wall Panels		4
Will Vary.	Slats		5
4	Boots If Ordered		6
4	Anchor Bases If Ordered		7

Note: Part numbers in the Content of Boxes Table are for reference only. These do not match to the numbers marked on the parts sent.

HARDWARE LIST

Description	Drawing	No.
<p>½" X 4" Anchor Bolts (To attach the anchor bases to the ground).</p>		A
<p>5/16" X 3" Lag Bolts (To attach the anchor bases to the post).</p>		B
<p>5/16" X 3" Bolts (Attach the supports to the posts. / To attach the knee braces to the supports and to the posts).</p>		C
<p>5/16" X 5" Bolts (To attach the knee braces to the posts).</p>		D
<p>5/16" X 4 ½" Bolts (To attach trellis wall panels to posts).</p>		E
<p>8" X 3" Deck screws (To attach Slat to the supports. / To attach the boots to the posts).</p>		F

Note: Dimensions of your hardware will vary depending on size.

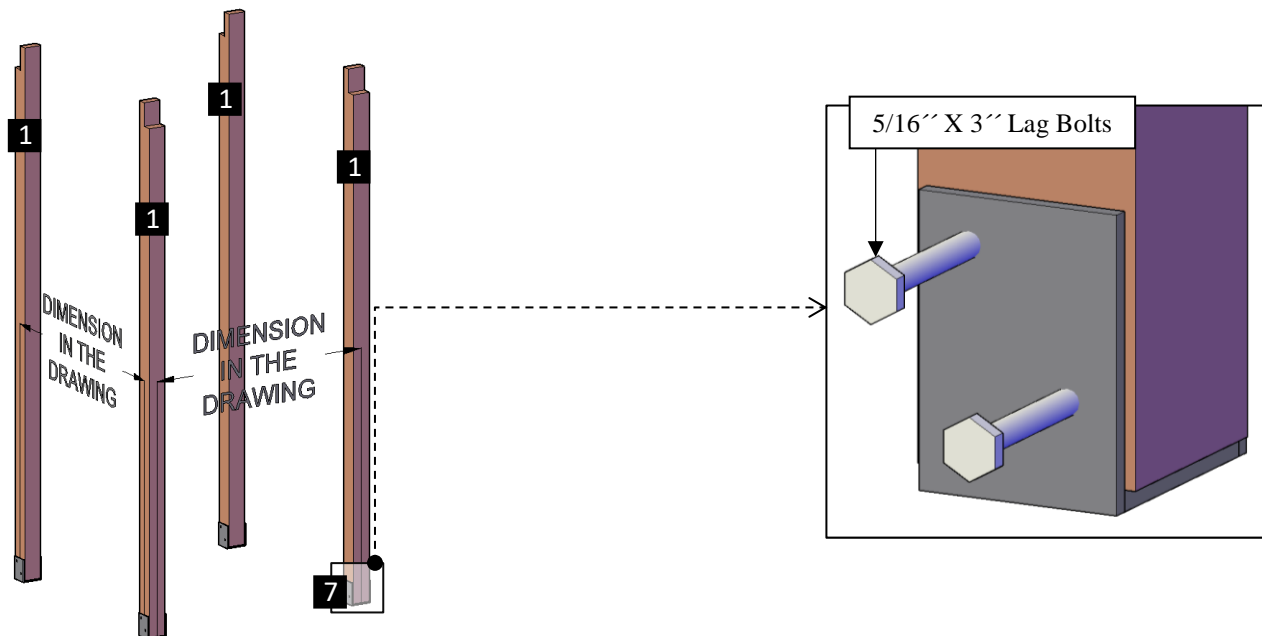


DESCRIPTION	No
Posts	1
Supports	2
Knee Braces	3
Trellis Wall Panels	4
Slats	5
Boots	6
Anchor Bases	7

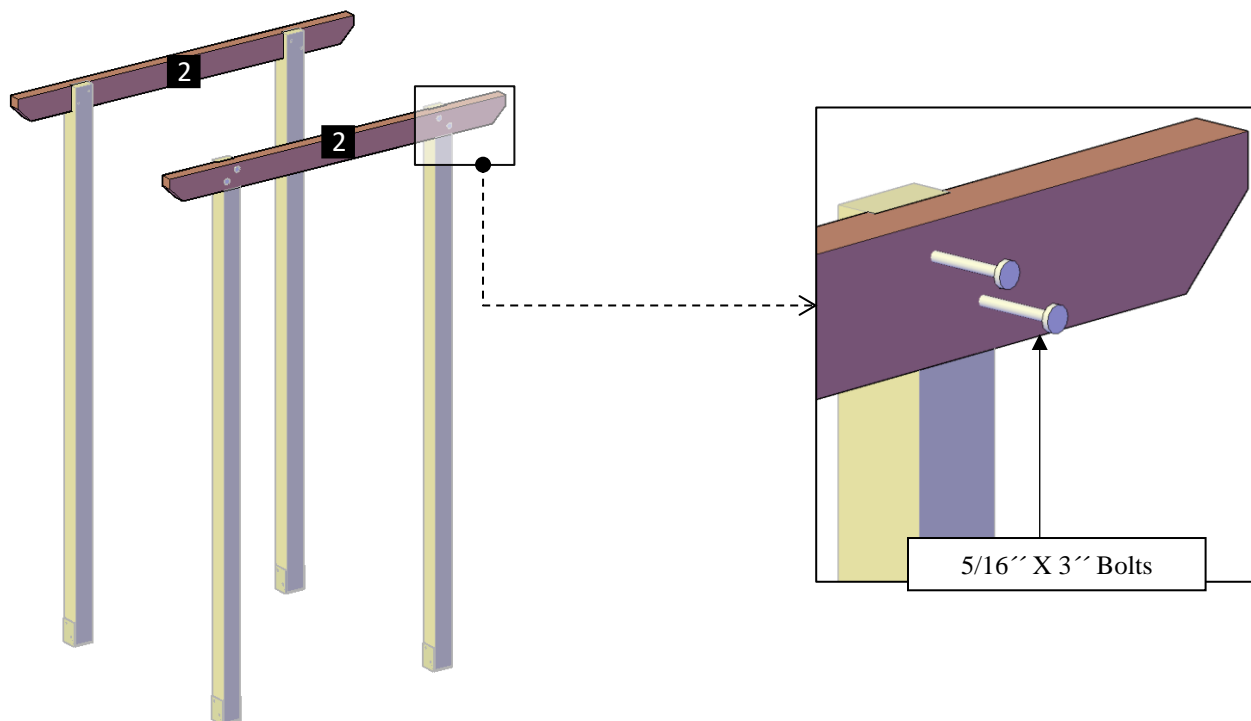
Note: Part numbers in the Drawing are for reference only. These do not match to the numbers marked on the parts sent.

NOTE: In order to know where the posts need to be placed, check the numbers on them. If the post is not marked, then place the arched roof timbers on the ground to locate the markings for each post position and clearly set your bearings. (“Don’t attach yet, only place them on the ground to begin with”).

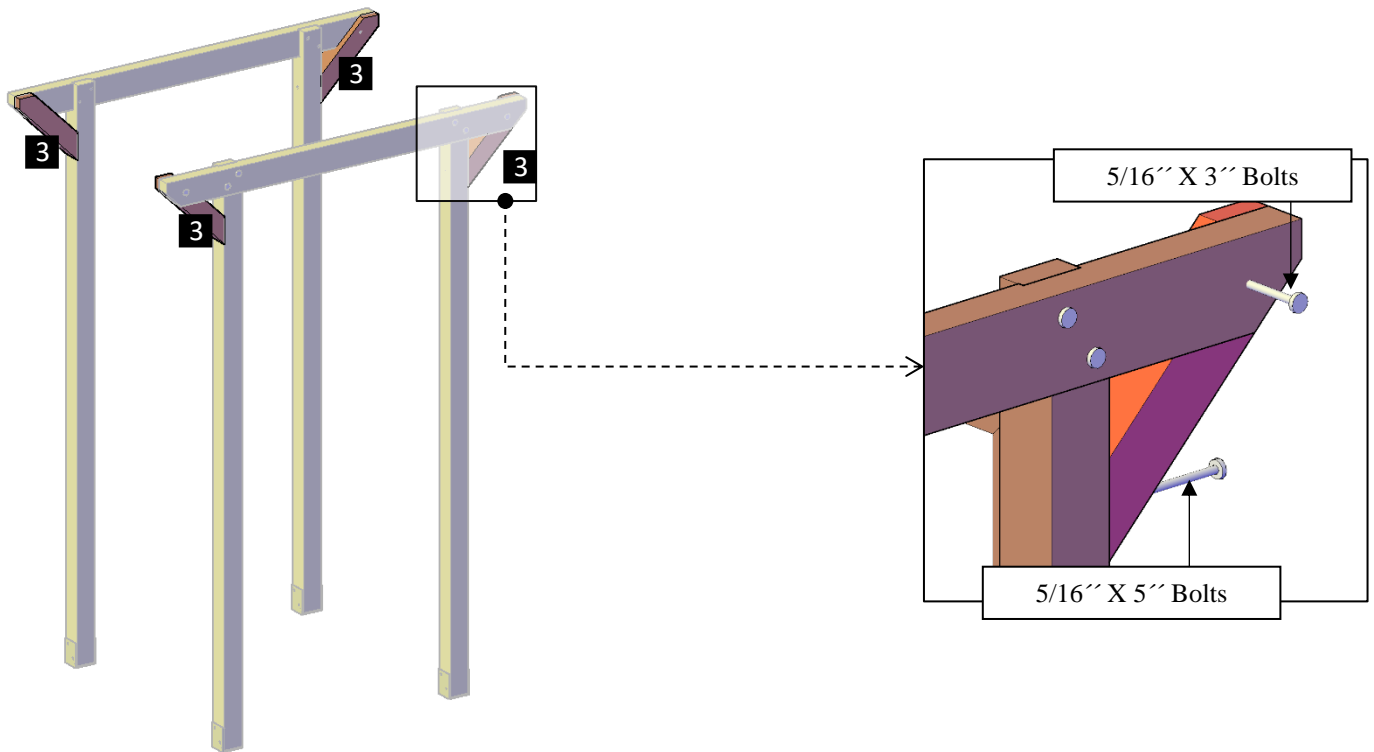
Step 1: Install the anchor bases (7) with ½” X 4” anchor bolts (A) or lag bolts. Please see the “How to anchor your pergola document” for all details. Set your post (1) in the saddle of the anchor bases. Drill a ø ¼” hole in the post prior to anchoring to facilitate the ratcheting of the hardware. After that, use a 5/16” X 3” lag bolts (B) to attach each post to its respective anchor base.



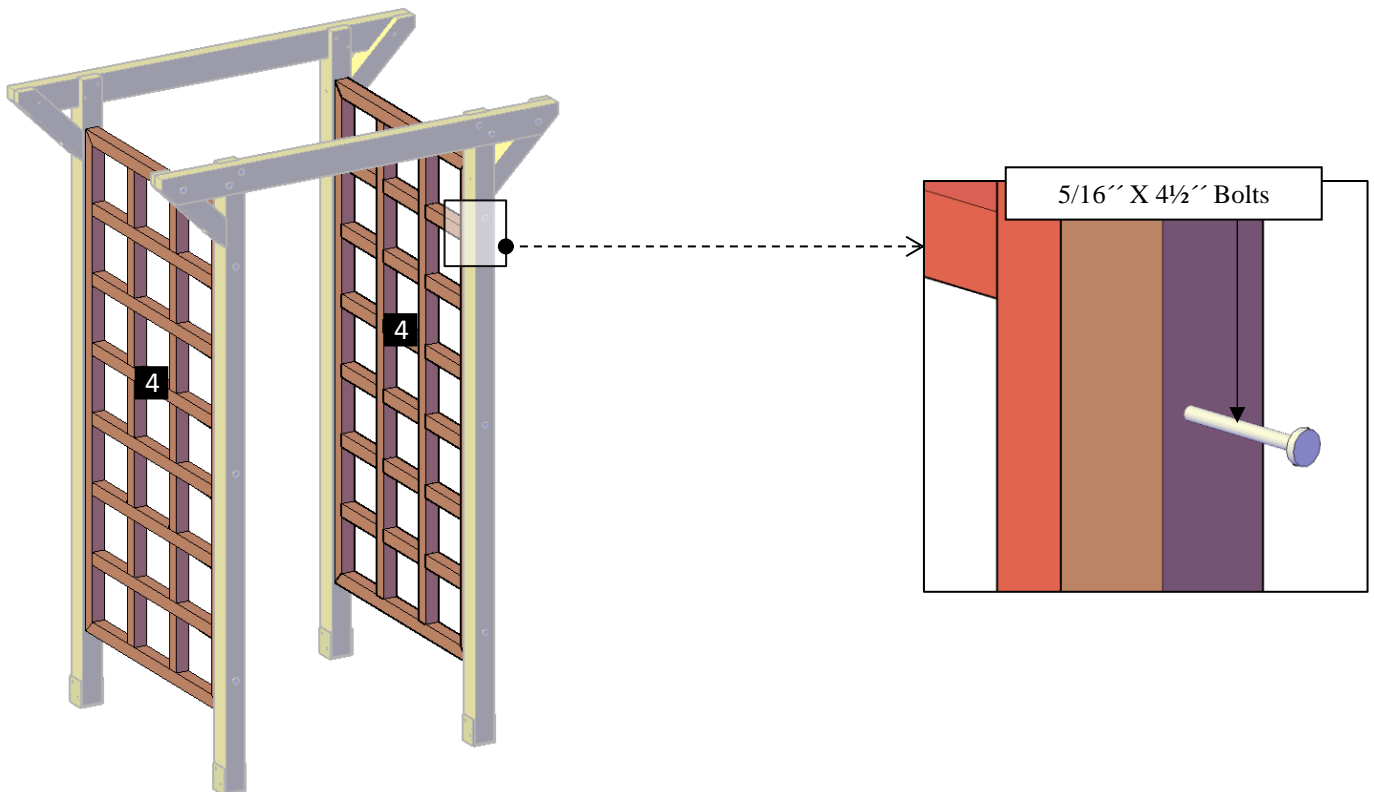
Step 2: Attach the supports (2) to the posts with 5/16” x 3” bolts (C) washers & nuts. Tap the bolt all the way into the wood to set it. Then add a washer and nut and lightly tighten. Each part has a series of numbers that indicate where to attach the part with the corresponding number.



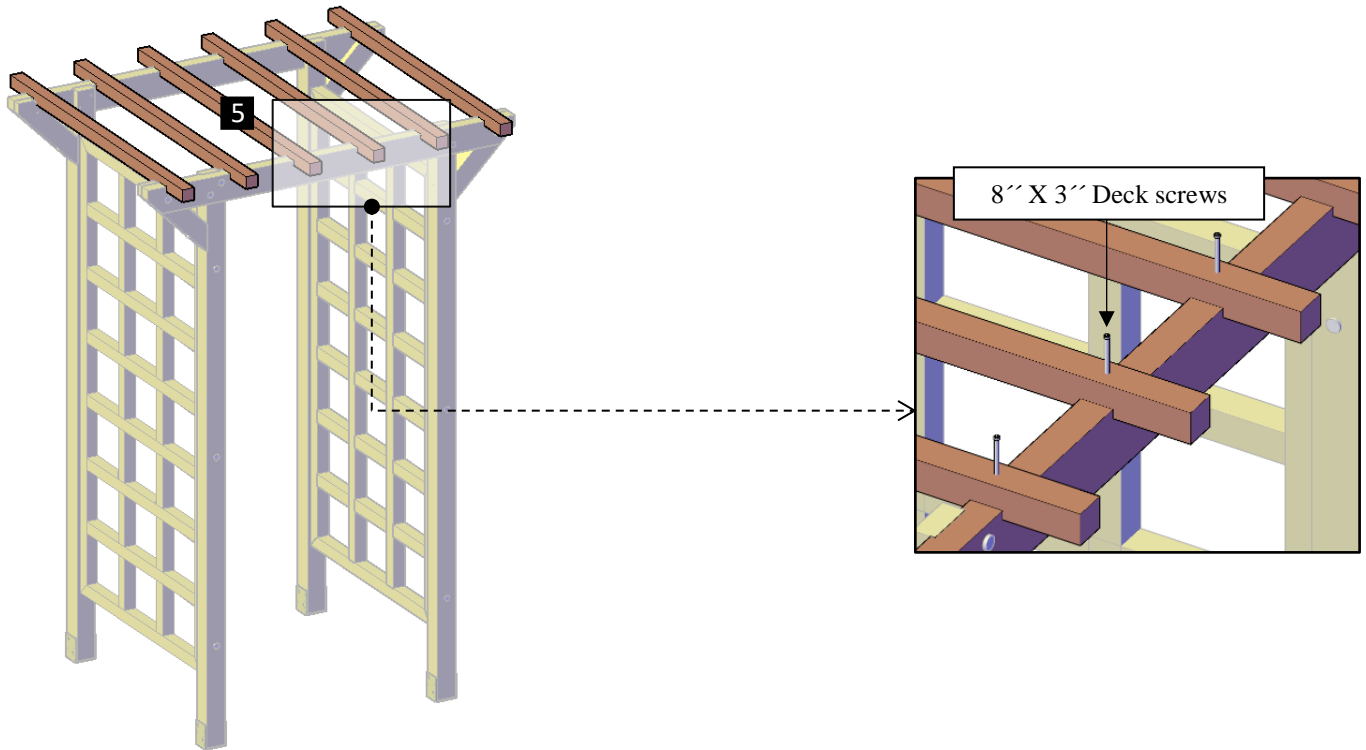
Step 3: Attach the knee braces (3) to the supports with 5/16" x 3" bolts (C) and to the posts with 5/16" x 5" bolts (D), washers & nuts. Each part has a series of numbers that indicate where to attach the part with the corresponding number.



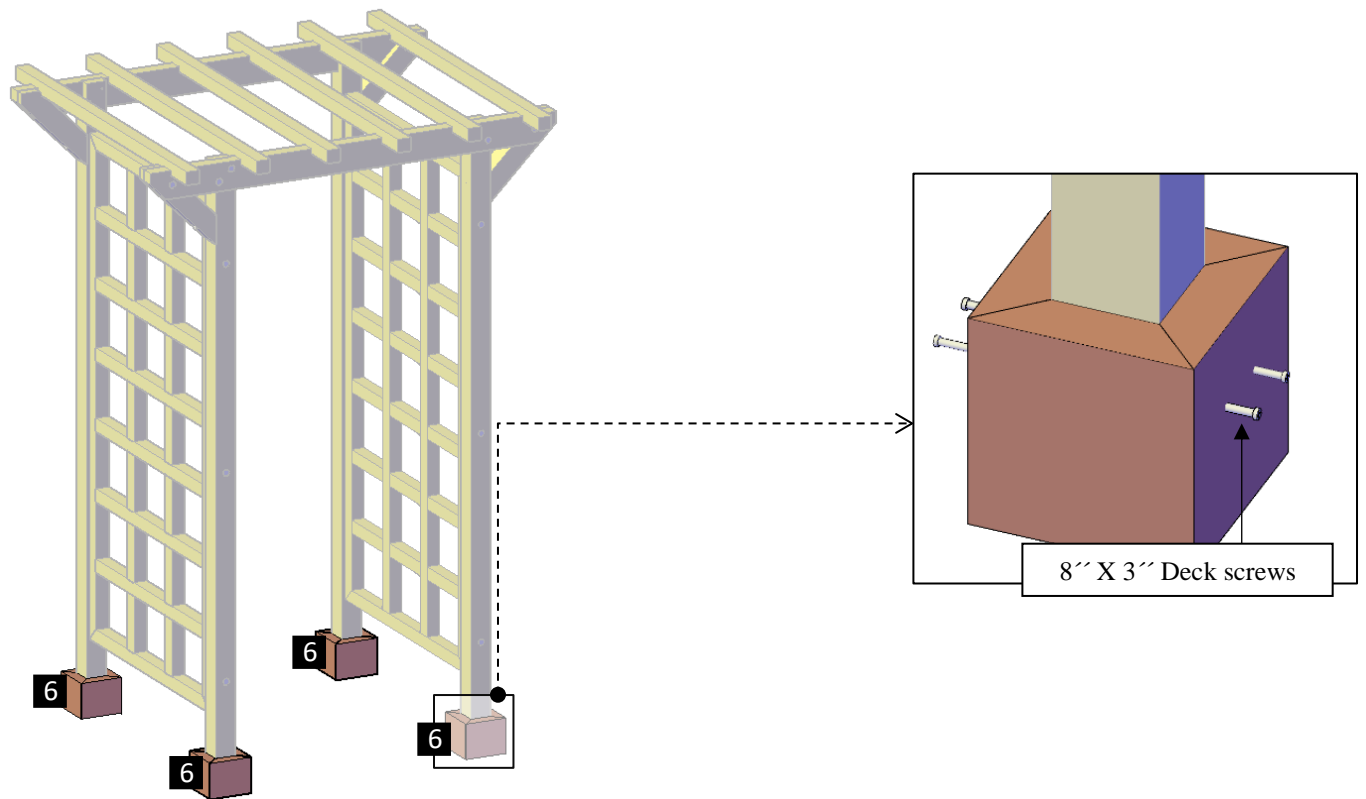
Step 4: Attach the trellis wall panels (4) to the posts with 5/16" x 4 1/2" bolts (E) washers & nuts. Each part has a series of numbers that indicate where to attach the part with the corresponding number.



Step 5: Attach the Slats (5) to the supports with 3" deck Screws (F). Each part has a series of numbers that indicate where to attach the part with the corresponding number.



Step 6: Finally, use 3" deck Screws (F) to attach the boots (6) to the posts.





This completes the Arbor assembly. Hope you enjoy your set for many decades. If you ever have a problem or a question, don't hesitate to call us (866 332 2403) or email us. We are here to support you.