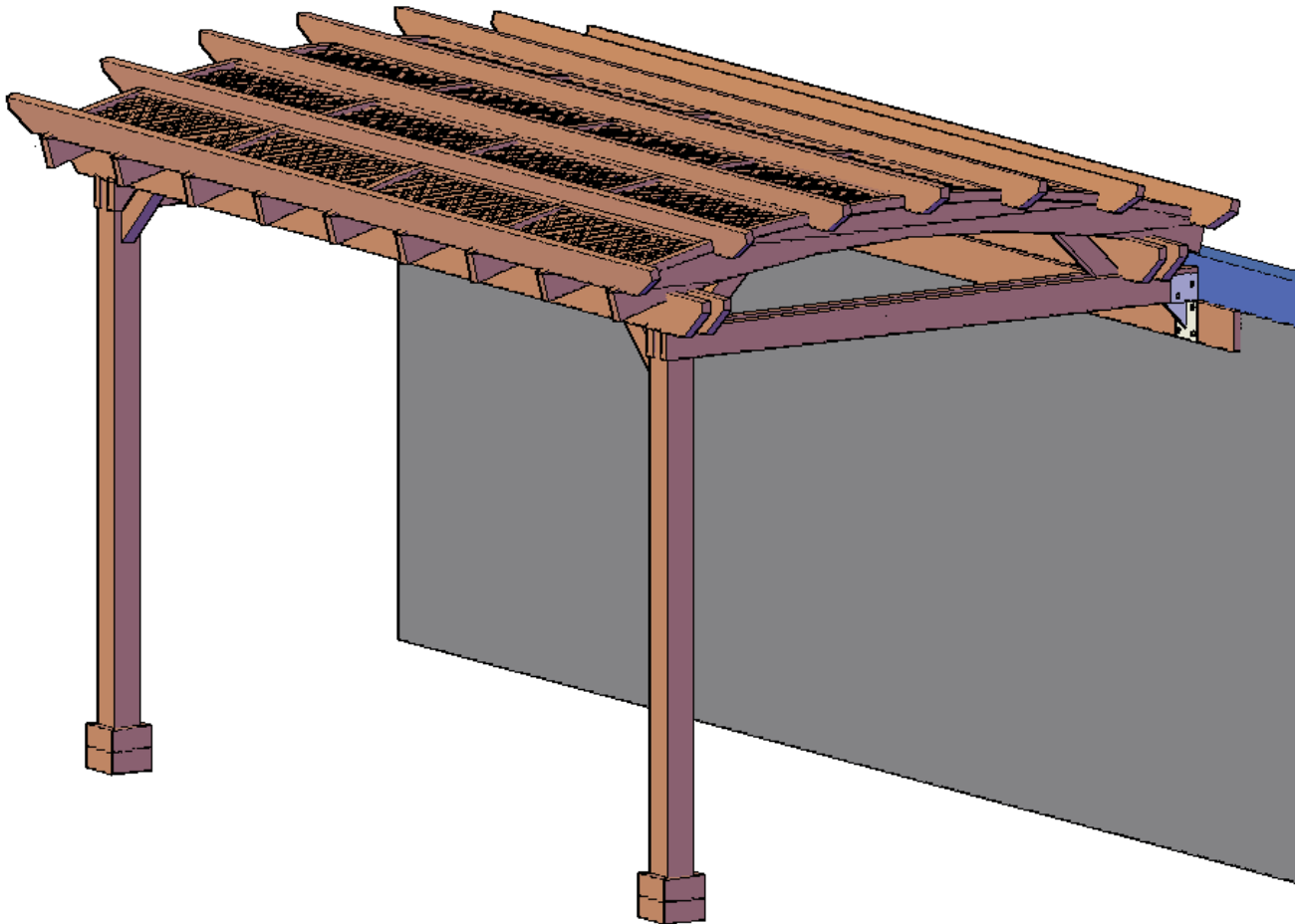
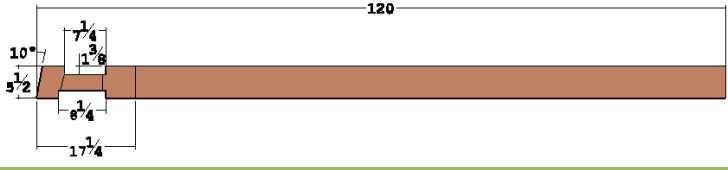
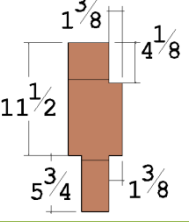
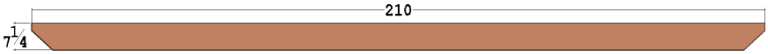
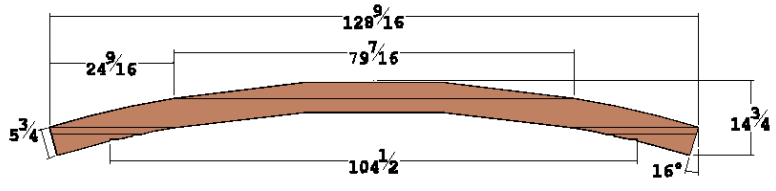


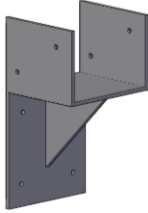
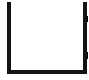


866.332.2403 (Toll Free); 7am-7pm Pacific Time, Monday-Saturday

Example Assembly Instructions for a 17'-6" x 10'-10" Attached Arched Pergola



CONTENT OF BOXES

QUANTITY	DESCRIPTION	DRAWING
2	Posts	
2	Mini Posts	
4	Main Dual Supports	
4	Flat Supports	
4	Diagonal Braces	
2	Diagonal Braces	
7	Slats	
1	Ledger Board	
9	Rafters	
2	Trim pieces for bottom of posts	

2	Metal Anchors to attach supports to ledger board		
2	Post anchors		
Depending on size	Hardware: Bolts and deck screws	Deck Screws 	Bolts, washers and nuts 



ASSEMBLY INSTRUCTIONS



All Pergolas and Pavilions are completely erected in the shop prior to be crating for shipping. All hardware is included. All parts are fully sanded, routed, notched, drilled and numbered for ease of reassembly. The parts that go together have the same numbers/letters written next to the predrilled holes they attach to.

All parts are notched into the part they connect to. You'll find the numbers next to the notches and/or drill holes. Before beginning re-assembly, place the parts that go together on the ground with one another so you don't have to be searching around in the middle of the reassembly. Most pergolas take less than one day to reassemble with one helper. Very large pergolas (6 posts or larger) usually require a second day to finish up.

Note: print the drawings that you approved before start the construction, they are needed to see the distances between the posts.

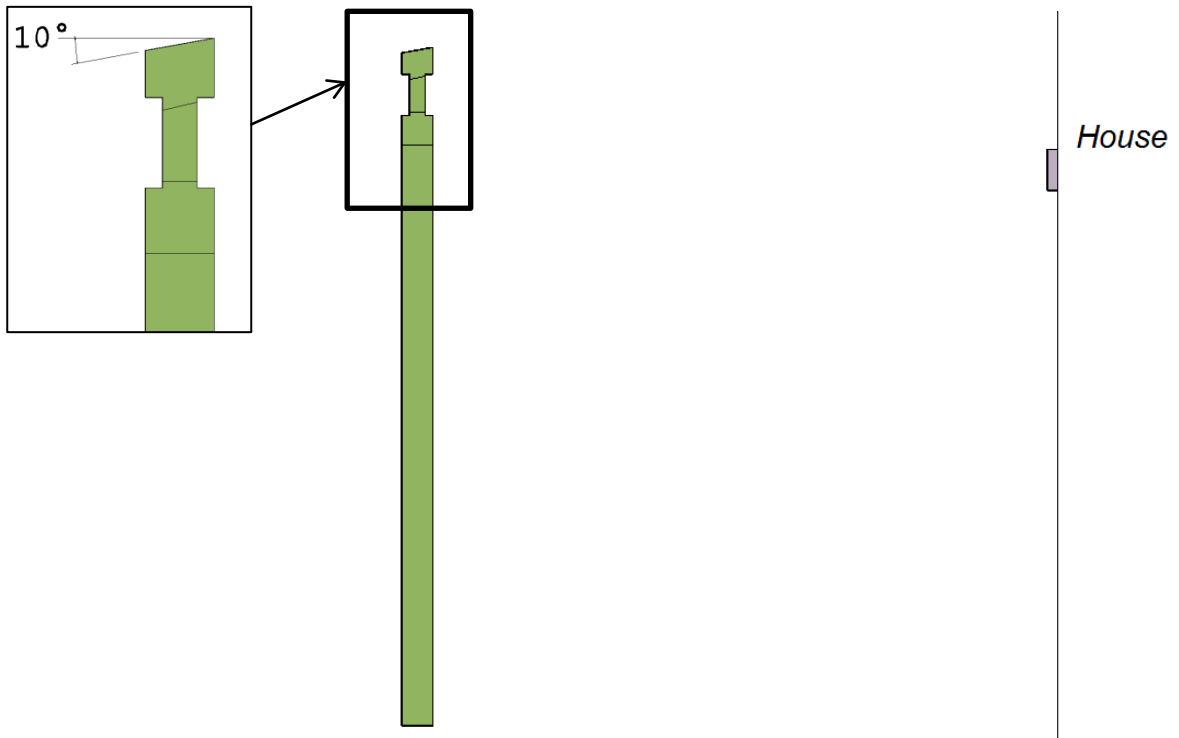
Step 1. Attach your anchor kit to the ground.

	
STEP 1: Place the anchor where it will be installed; mark the ground as shown and drill 2 holes as shown 1/4" wide hole 4" deep	STEP 2: Ratch down the anchor bolts (1/2" x 4"). Then take off the nut before you place the metal anchor (note: for wood deck use lag bolt)

	
<p>STEP 3: Attach metal anchor to concrete with anchor bolt (1/2" x 4") and place the post.</p>	<p>STEP 4: Attach post to metal anchor with lag bolts (5/16" x 3") and add wood trim to hide metal when finished</p>

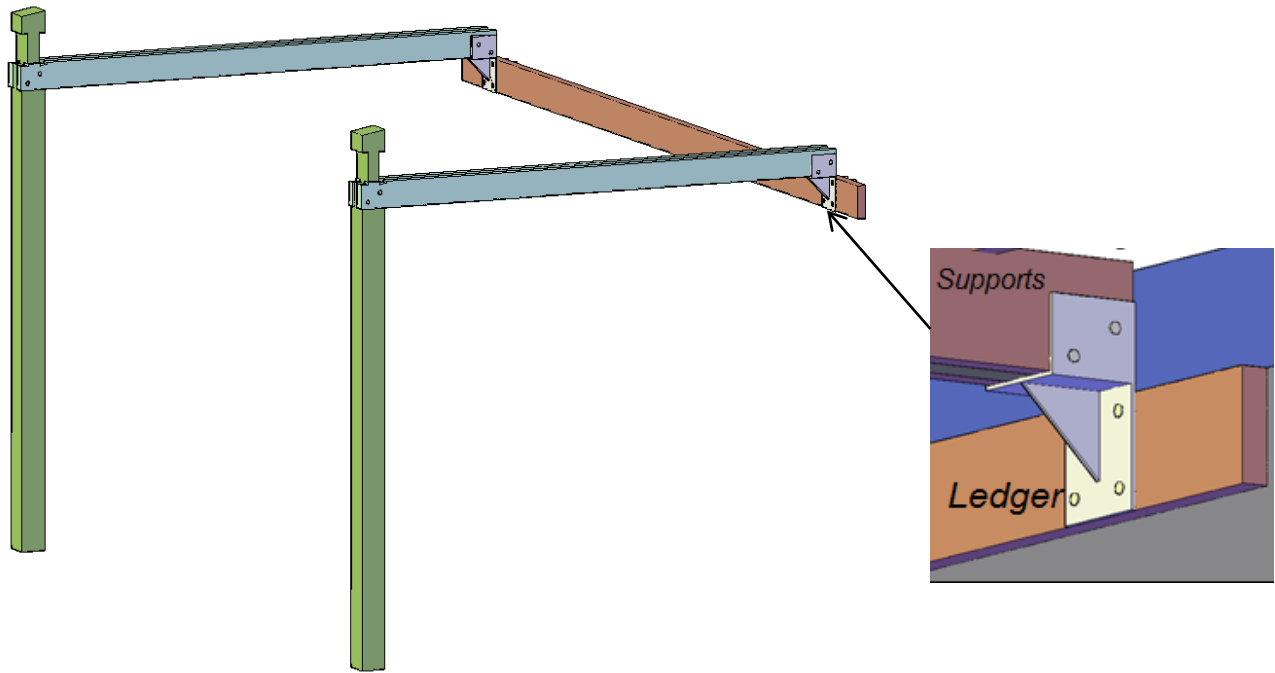
The photos above show the 4 simple steps to follow once your surface below the Pergola is in place. Choose the anchor kit for the appropriate surface:

- Stone, Brick or Concrete - Anchor Bolts (1/2") for attaching to stone, brick, or concrete.
- Wood (e.g., Wood Deck) - Lag Bolts (3/8") for attaching to a wood deck.

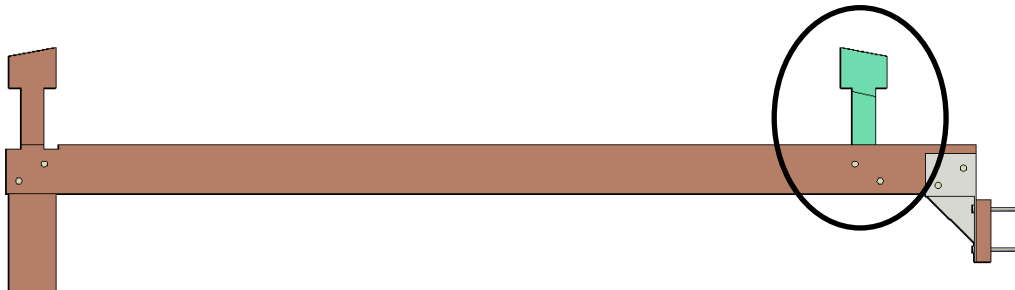


Step 2. Attach the ledger board to the wall. The distance from the ground to the bottom of the ledger must be 7'-10 3/4" (see approved drawings-Revision G). Using 3/8" lag screws @ 16" o.c. with 3" min. penetration into the wall studs.

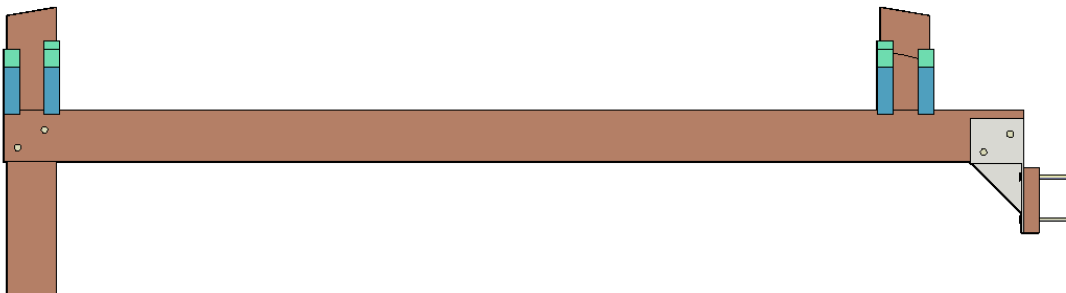
Step 3. Attach the flat supports to the posts with 2 bolts (6" x 3/8") washers & nuts per post. (Match numbers) and attach the other end of the supports to the metal plaques (the plaques must be already anchored to the ledger board). Tap the bolt all the way into the wood to set it, and then add a washer and nut and lightly tighten.

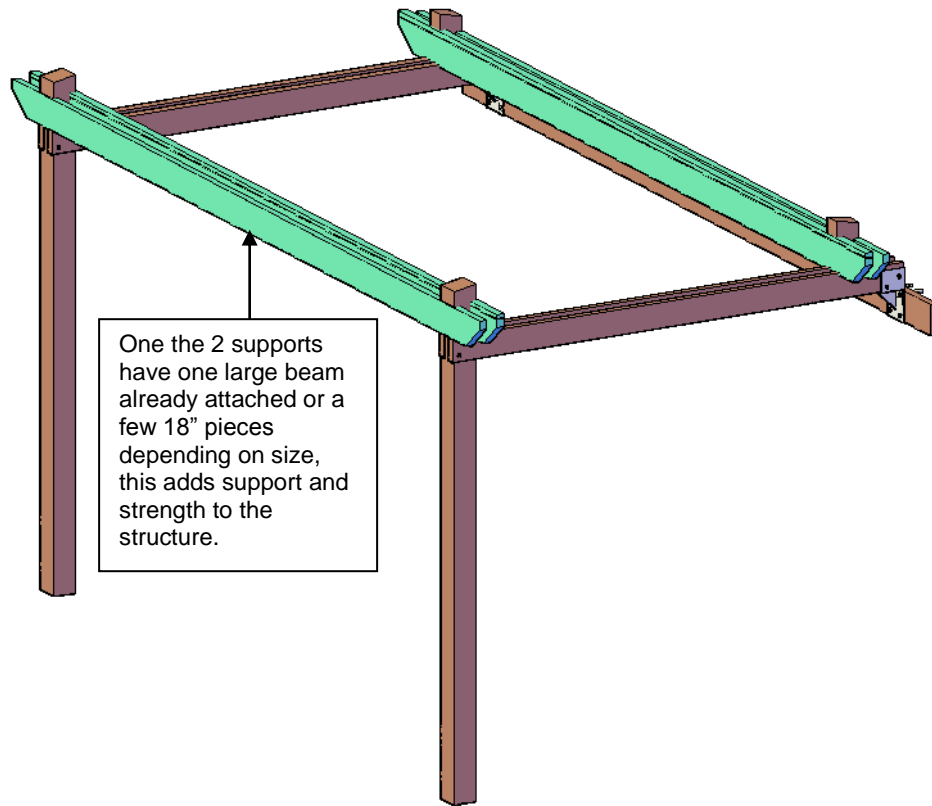


Step 4. Attach the mini posts to these supports with 2 bolts (6" x 3/8") washers & nuts.

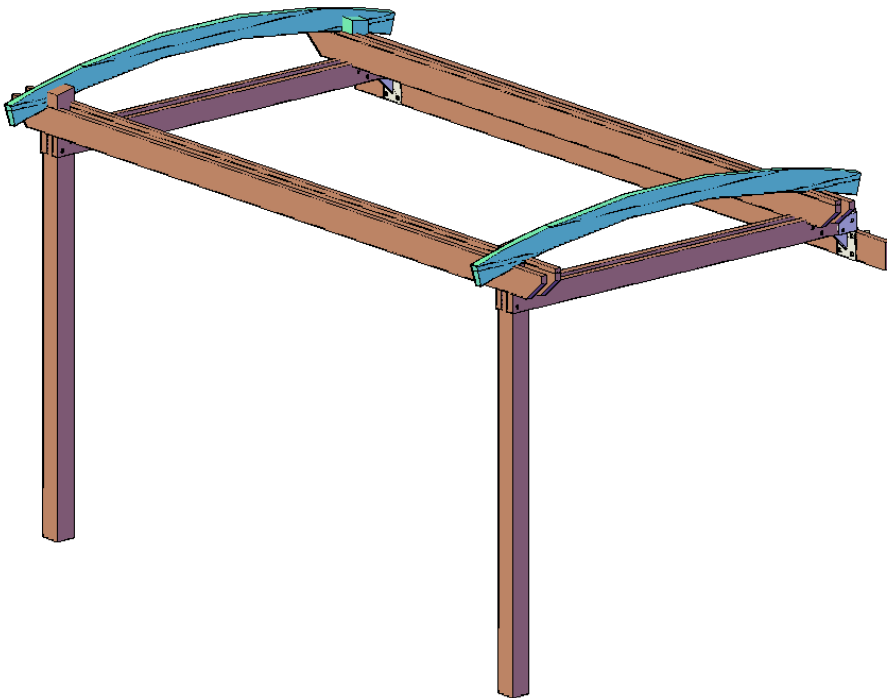


Step 5. Attach the main dual supports to the posts and mini posts with 2 bolts (6" x 3/8") washers & nuts per connection. This beam must be in the interior of the support and bolted after you attach the supports to posts as shown below:

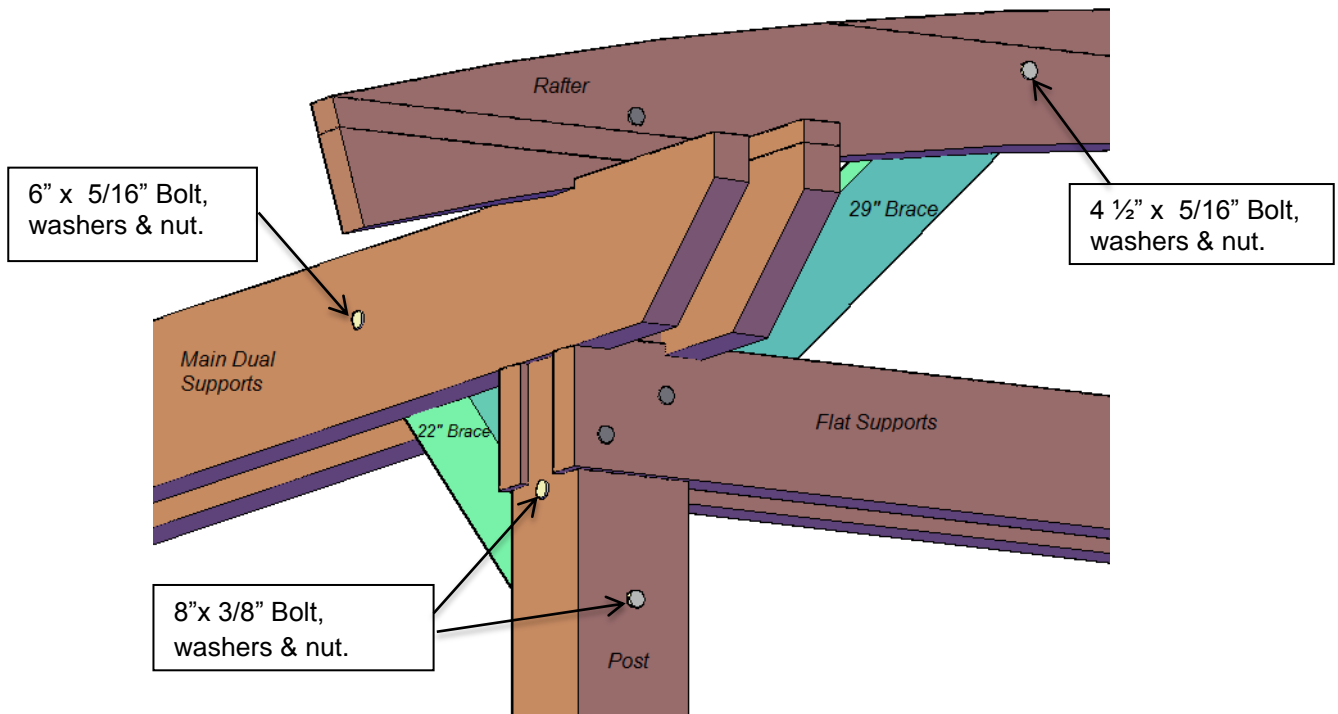




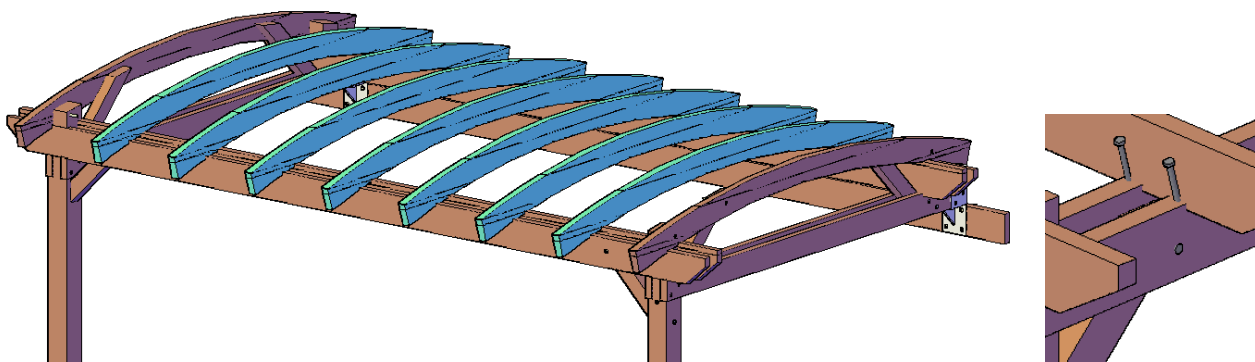
Step 6. Attach the end rafters to the posts with one bolt (6" x 3/8") washers & nuts per connection.



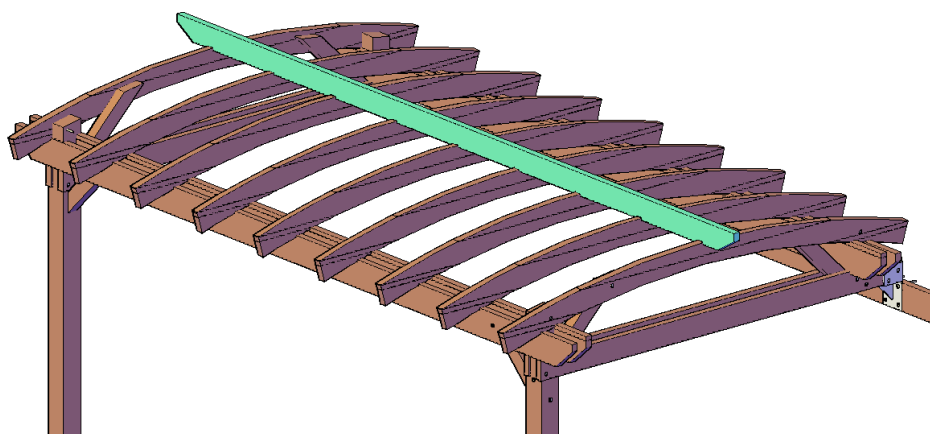
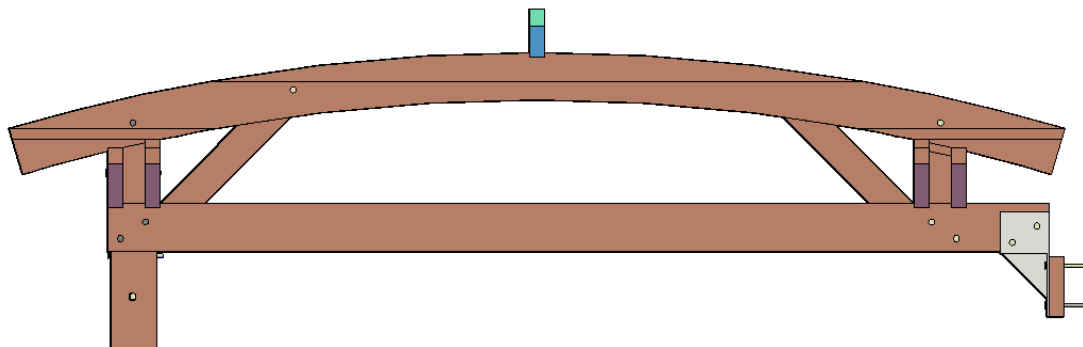
Step 7. Attach the 22" diagonal braces to dual supports and posts. Attach the 29" diagonal braces to end rafters and posts with bolts, washer and nuts as shown below:



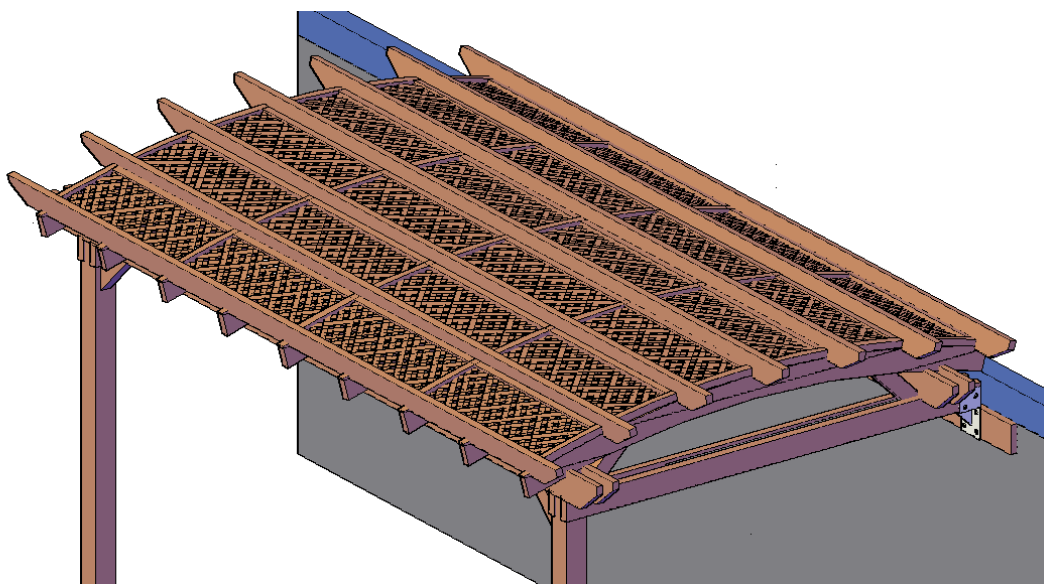
Step 8. Attach the rest of the arches to the dual beams with deck screws (3" x #8) at 45 degree angles. There are 8 screws used per rafter (2 per dual support beams). Make sure each rafter's notches are snugly into the dual support beams before adding the deck screws. The dual support beams have lines marking the exact spot to attach the rafter. The interior rafters do not have numbers. They are all cut identically and are interchangeable. Just make sure to stay to the markings on the dual support beams to keep the spacing exactly the same.



Step 9. Attach the center slat atop the arches with deck screws. The slats have notches to fit into the rafters.



Step 10. Attach the lattice panels and the rest of the slats on both sides of this first slat.



Thank you. If you have any questions, please call or email us.