



# FOREVER REDWOOD

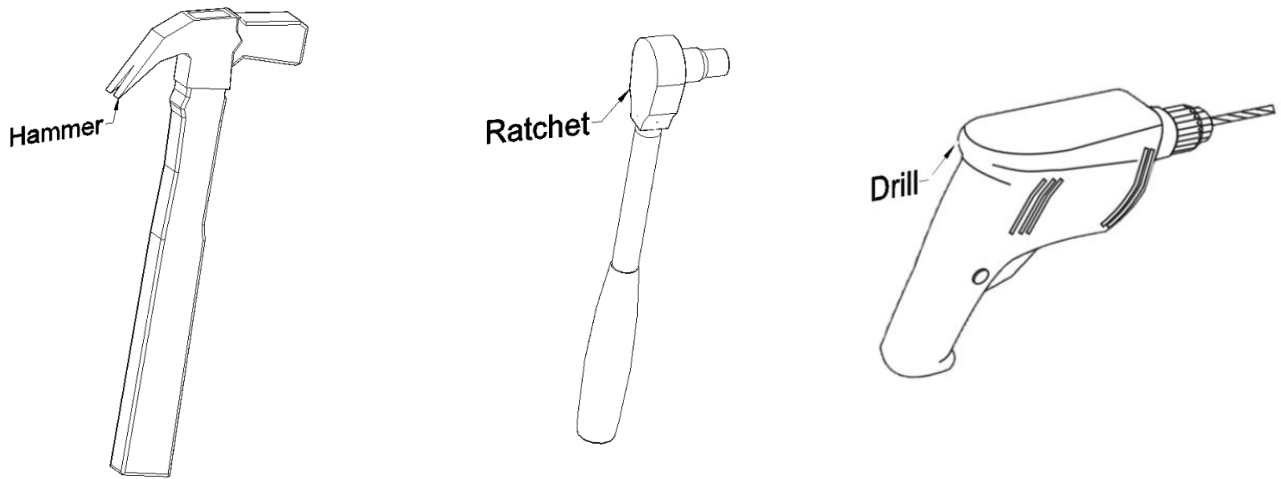
*From the Forest, For the Forest since 1995*

866.332.2403 (TOLL FREE) (707) 640.29.05 (Option 4) Direct Line for the Design Department; 7am – 7pm Pacific Time, Monday-Saturday

## ASSEMBLY INSTRUCTIONS FOR THE FOREVER PORCH PAVILION

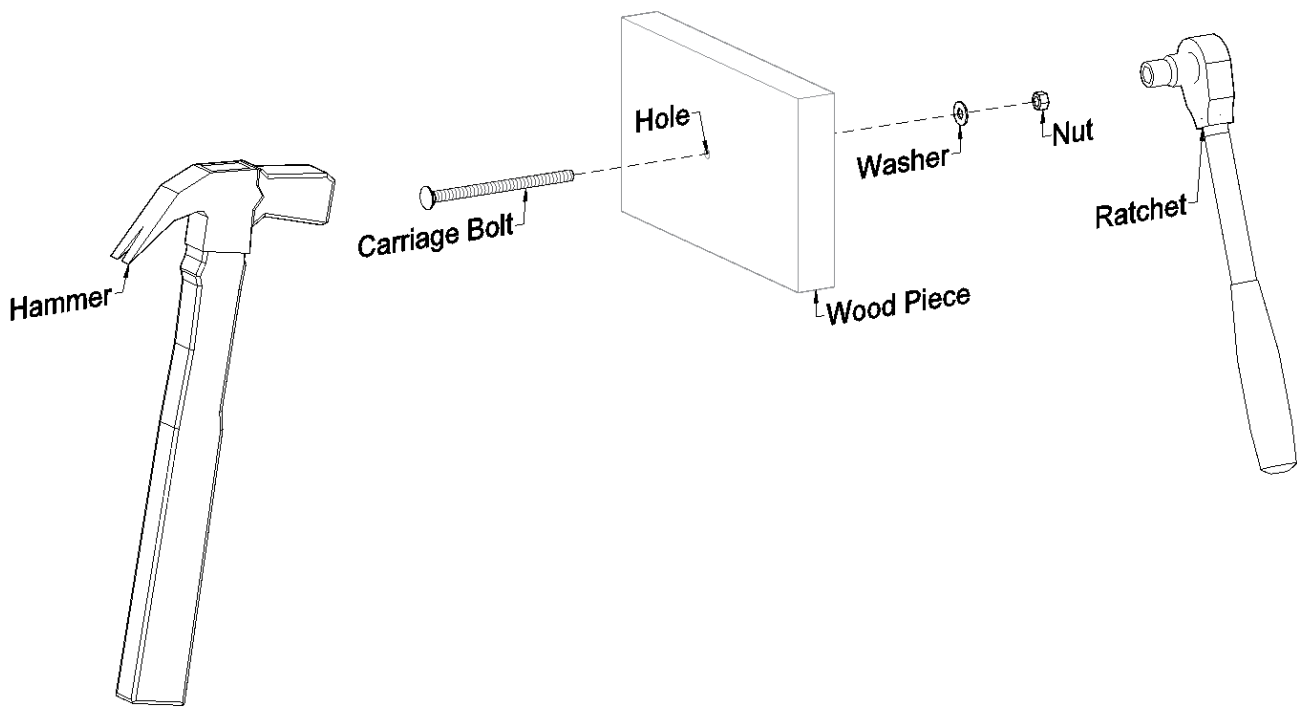


**NOTE:** Assembly is best done by two people. To assemble your product, you need a Hammer, a Ratch or a wrench and if required a Drill.



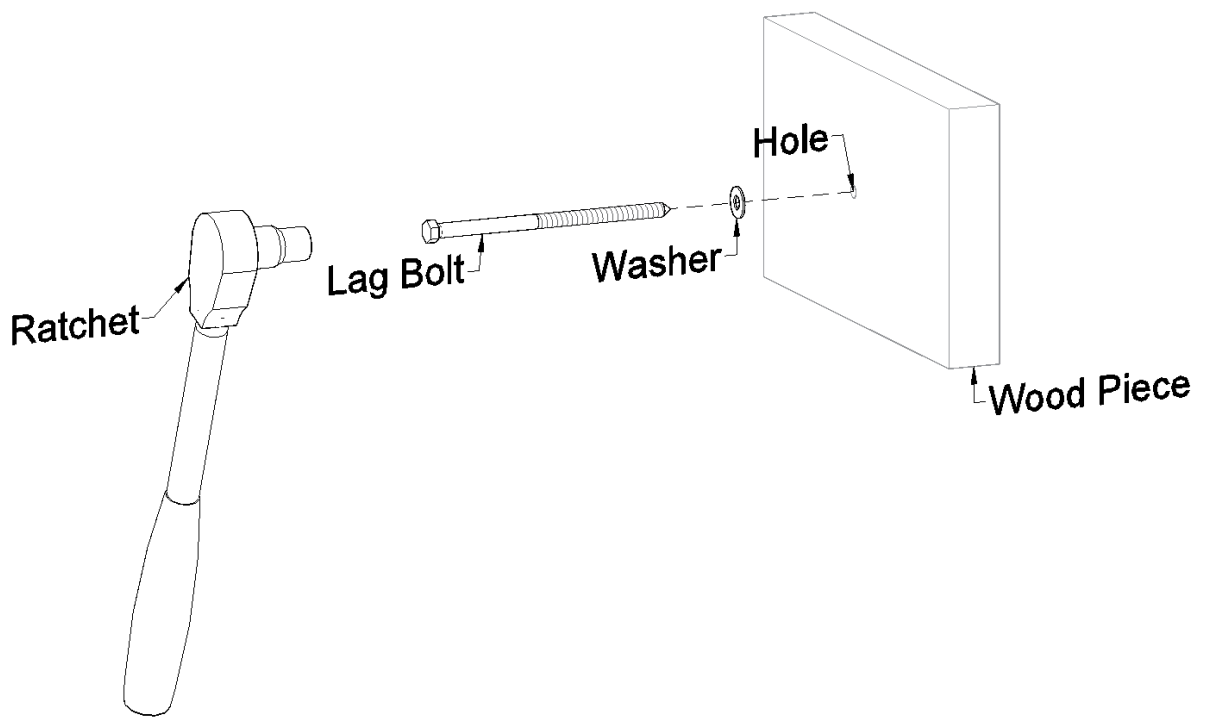
**Required Tools (Are not included in your hardware packing).**

**PROCESS TO INSTALL THE HARDWARE PROVIDED.**



**To install the bolts.**

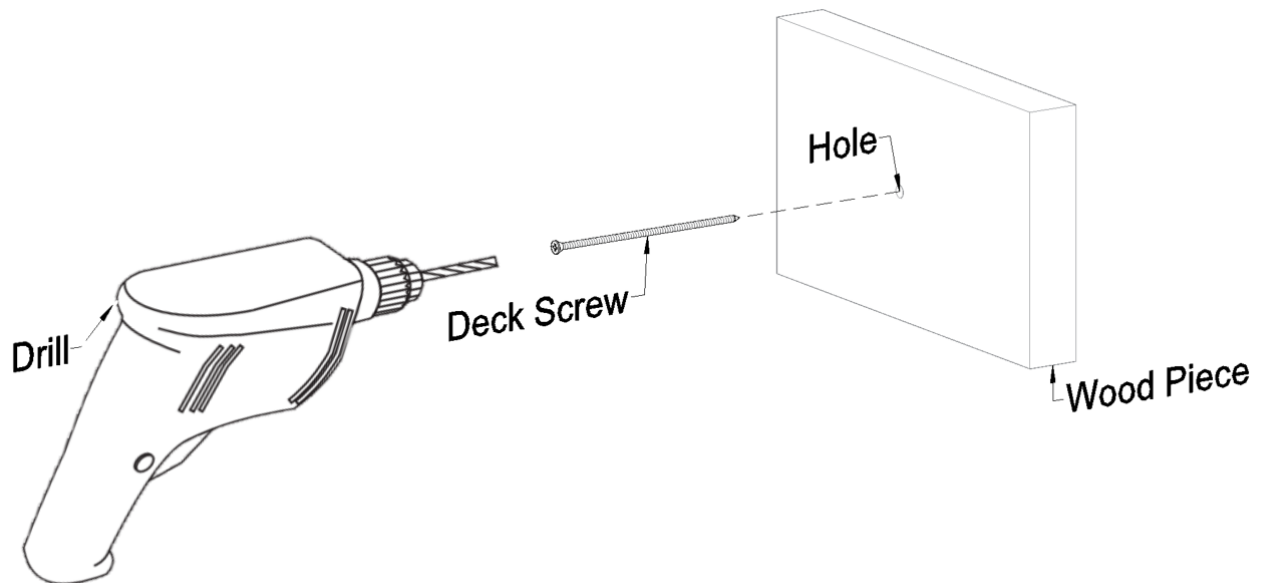
Insert the carriage bolts into the holes and lightly tap with a hammer until the square neck fit in the wood piece and the bolt head must flush with the wood piece. Finally, place the washer and the nut and carefully tighten it using a ratch with the necessary socket or a wrench.



**To install the lag bolts.**




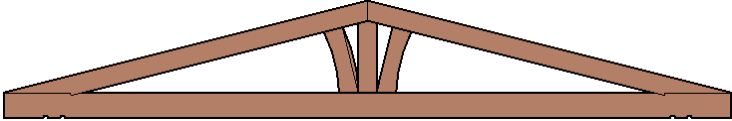
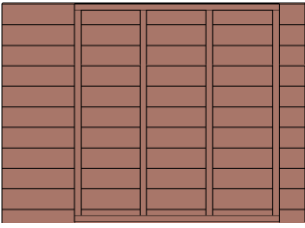



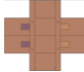




Place the washers in their lag bolts. After that, insert the lag bolts into the holes and carefully tighten it using a **ratch** with the necessary **socket**.

**Use the washers only for the Wood Pieces.**














**To install the deck screws.**

Insert the deck screws into the holes and carefully tighten it using a drill.

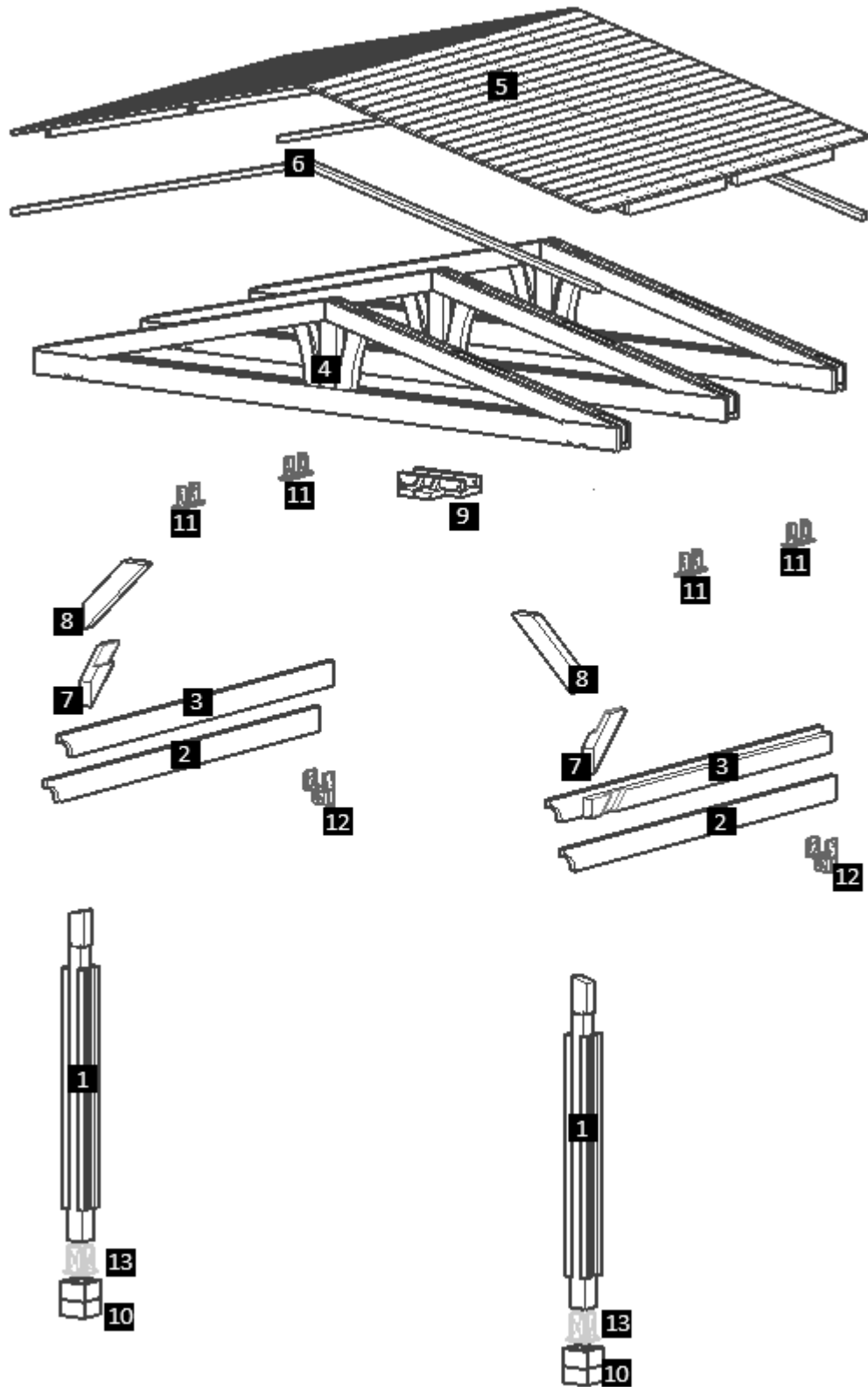
CONTENT OF BOXES		
Description	Drawings	No.
Post		1
Single support		2
Supports with in-between blocking		3
Roof trusses		4
Roof panel		5
Roof trims		6
Main knee braces		7
Secondary knee braces		8
Ceiling fan base		9
Boots		10
Metal plaques		11
Wall mounted bases		12
Anchor bases		13

**Note:** Part numbers in the Content of Boxes Table are for reference only. These do not match to the numbers marked on the parts sent.

HARDWARE LIST		
Description	Drawing	No.
½" x 4" anchor bolts		AB1
½" x 3" anchor bolts		AB2
5/16" X 3" lag bolts		LB1
3/8" x 3" lag bolts		LB2
3/8" x 6 ½" bolts		BL1
3/8" x 10" bolts		BL2
3/8" x 8" bolts		BL3
3/8" x 9 ½" bolts		BL4
5/16" x 11" bolts		BL5
2" deck screws		DS1
3" deck screws		DS2

*Note: Dimensions of your hardware will vary depending on size.*

<b>DESCRIPTION</b>	<b>No.</b>
Post	1
Single support	2
Supports with in-between blocking	3
Roof trusses	4
Roof panel	5
Roof trims	6
Main knee braces	7
Secondary knee braces	8
Ceiling fan base	9
Boots	10
Metal plaques	11
Wall mounted bases	12
Anchor bases	13

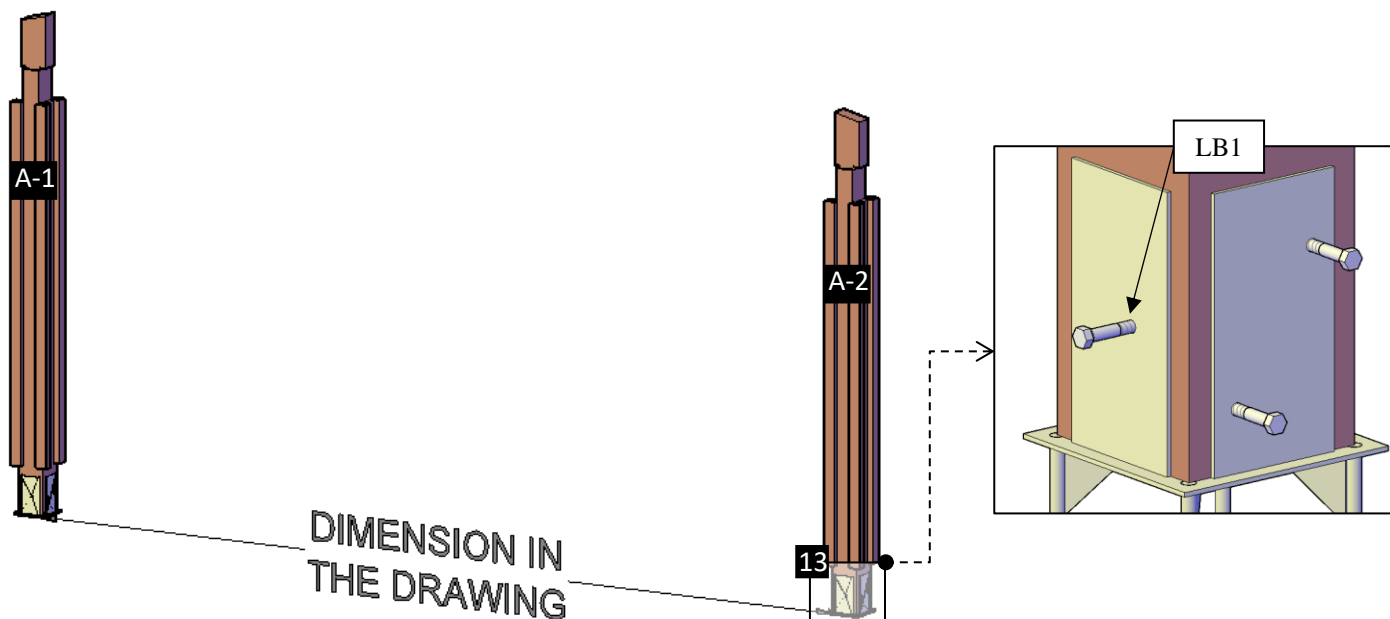


*Note: Part numbers in the Drawing are for reference only. These do not match to the numbers marked on the parts sent.*

**NOTE:** In order to know where the post needs to be placed, check the numbers on them. If the post is not marked, then place the single Supports on the ground to locate the markings for each post position and clearly set your bearings. (“Don’t attach yet, only place them on the ground to begin with”).

**Note:** Before install the anchor bases make sure that the ground is level using a carpenter’s level or hydro-level (water level).

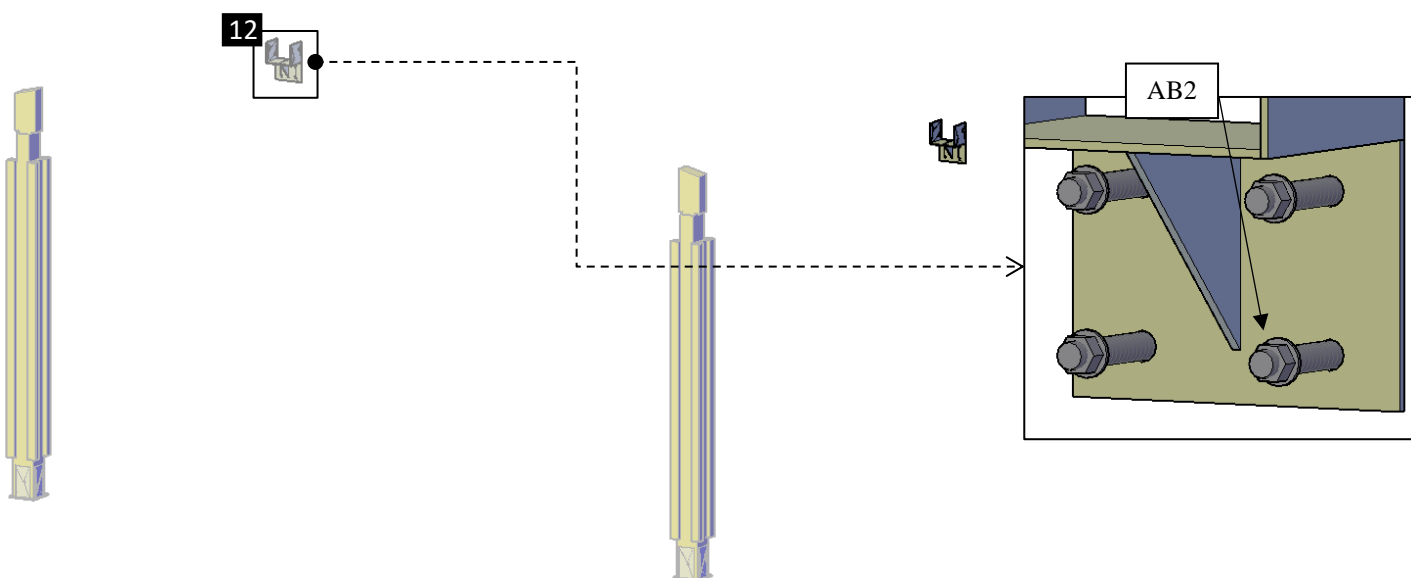
**Step 1:** Install the anchor bases (13) with ½”x 4” anchor bolts (AB1). Please see the “How to anchor your pergola document” for all details. Set your post (1) in the saddle of the anchor bases. Drill a ø ¼” hole in the post prior to anchoring to facilitate the ratcheting of the hardware. After that, use 5/16” X 3” lag bolts (LB1) to attach each post to its respective anchor base.



**Step 2:** Attach the wall mounted base (12) to the wall with ½” x 3” anchor bolts (AB2).

*Note: Don’t completely tighten yet the bolts– you will need the install the supports with in between blocking first.*

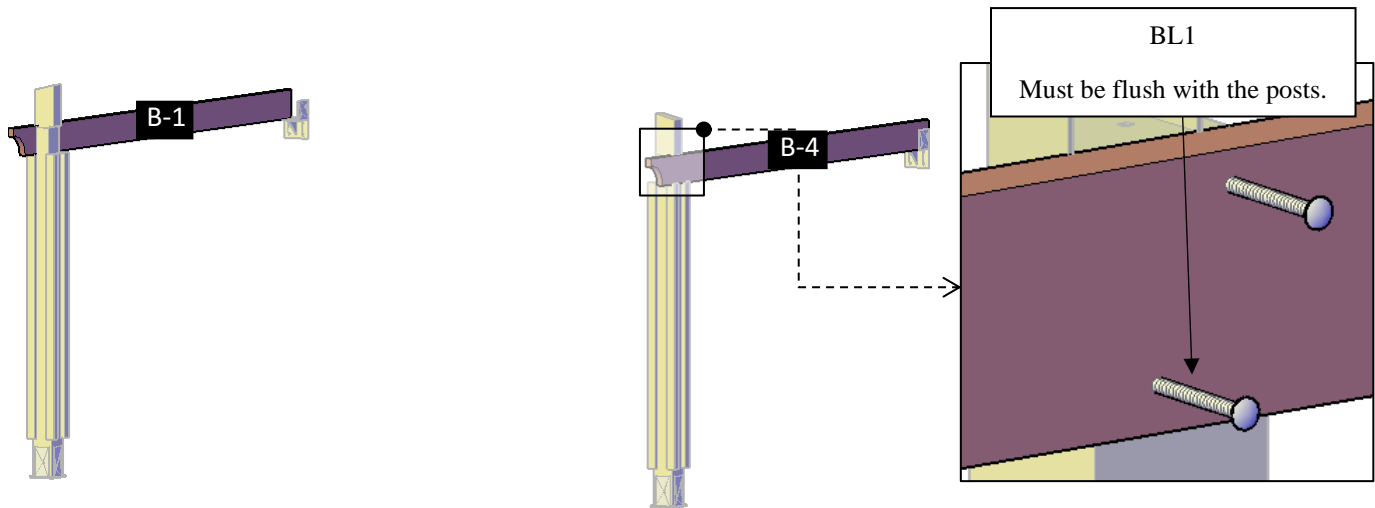
*Note: look for structure on the wall to tie the bases for better solidity.*





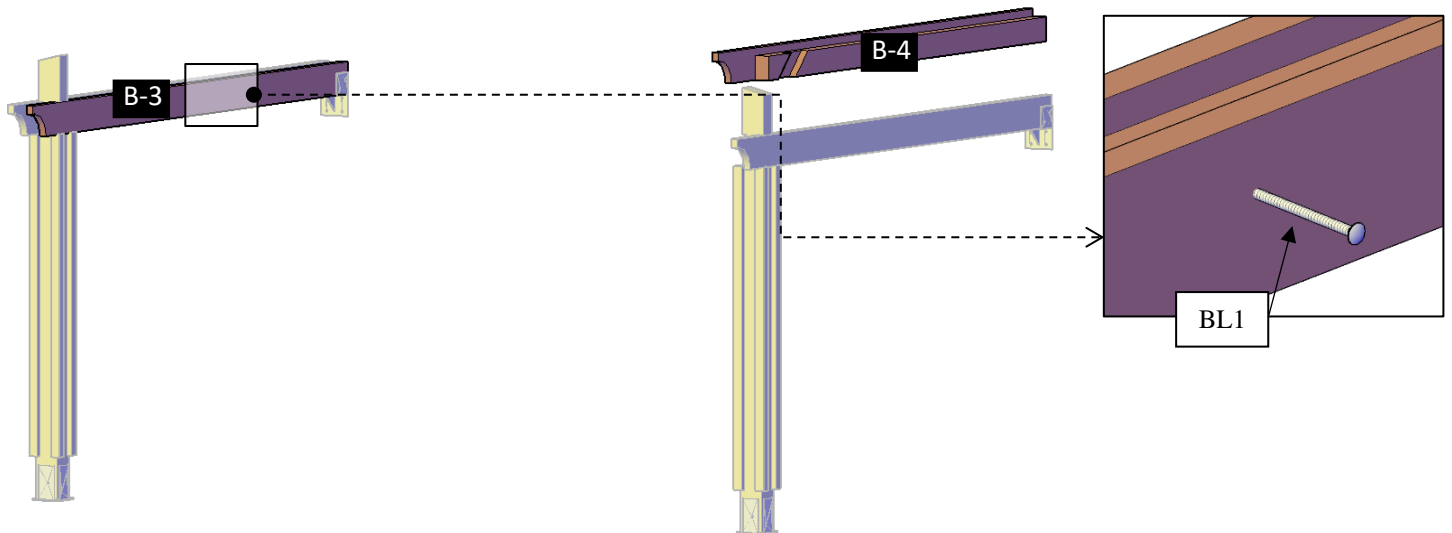
**Step 3:** Attach the single supports (2) to the posts with 3/8" x 6 1/2" bolts (BL1). Check the marked on each support and place as drawings shown.

**Note:** Don't completely tighten yet the bolts— you will need the install the supports with in between blocking first.

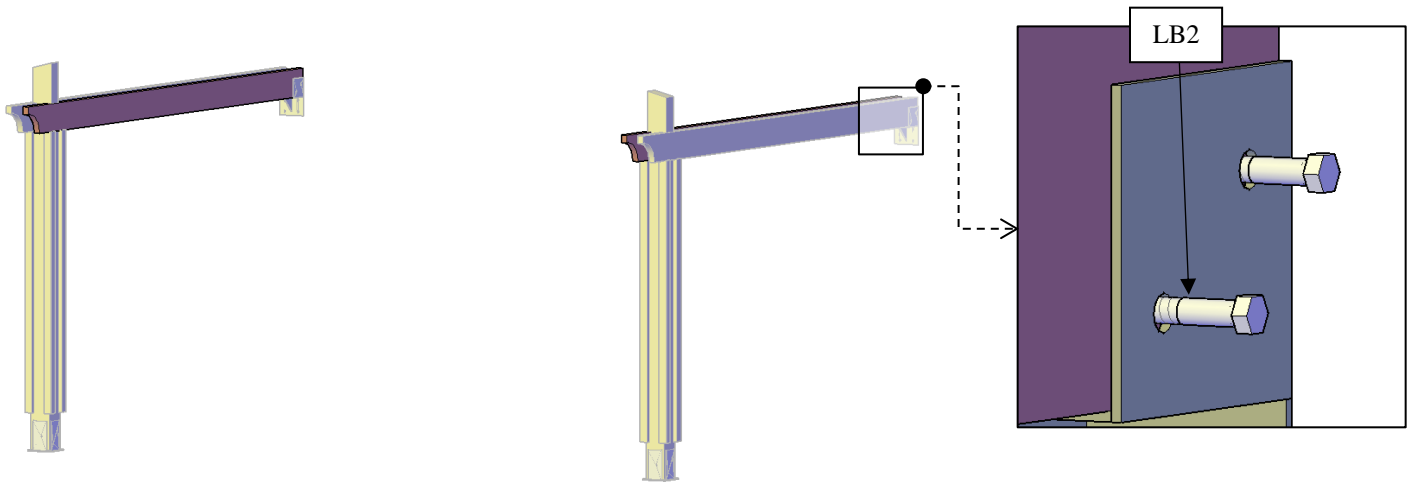


**Step 4:** Place the supports with in between blocking into the post notches. After that, return to the bolts described in the step 3 and tighten fully. After that, attach the supports together with 3/8" x 6 1/2" bolts (BL1). Check the marked numbers on each support with in-between blocking and place as drawings shown.

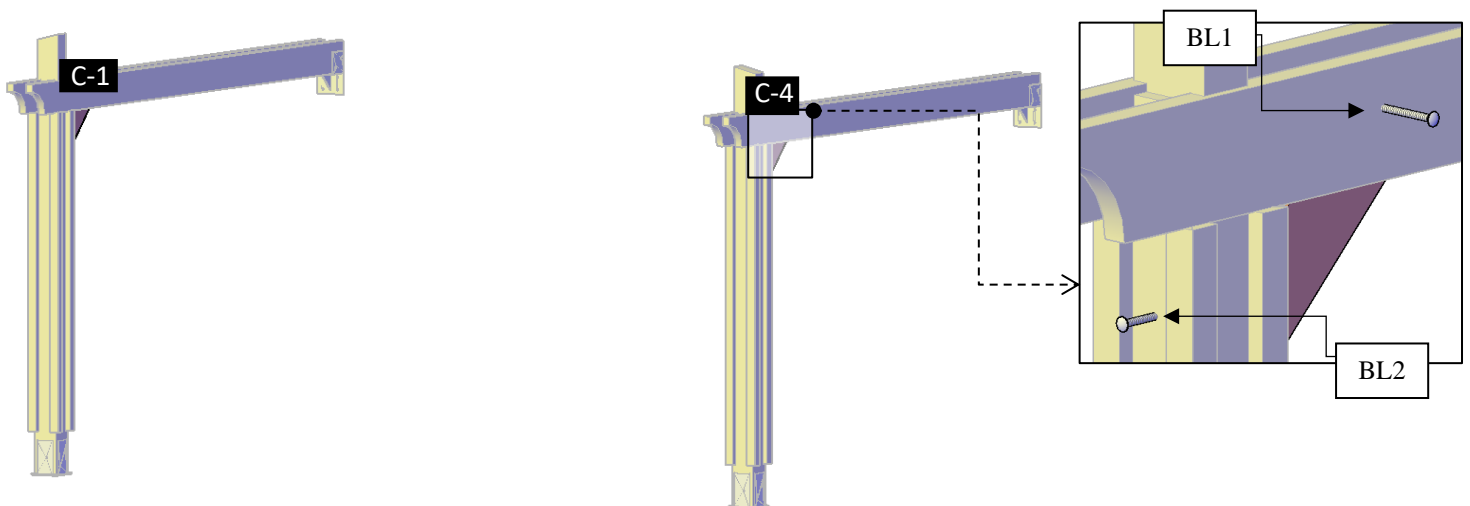
**Note:** put silicone in joints of the supports with in-between blocking.



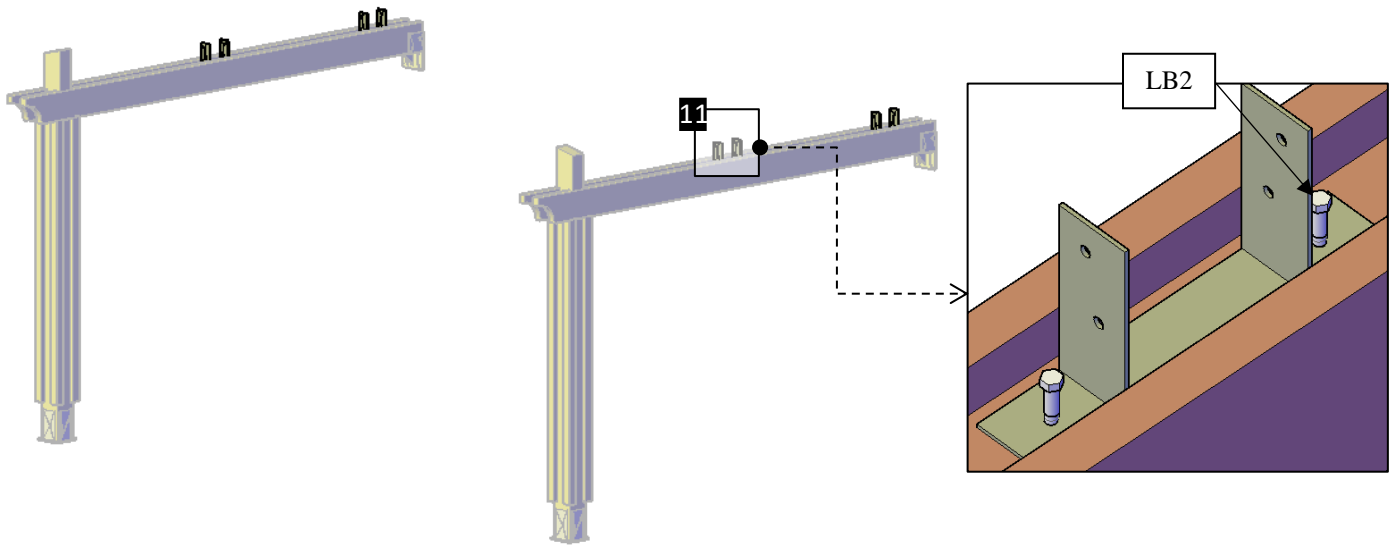
**Step 5:** Attach the supports to the wall mounted plaques (12) with 3/8" x 3" lag bolts (LB2).



**Step 6:** Attach the main knee braces (7) to the supports with 3/8" x 6 1/2" bolts (BL1) and to the posts with 3/8" x 10" bolts (BL2). Check the marked on each main knee braces and place as drawings shown.

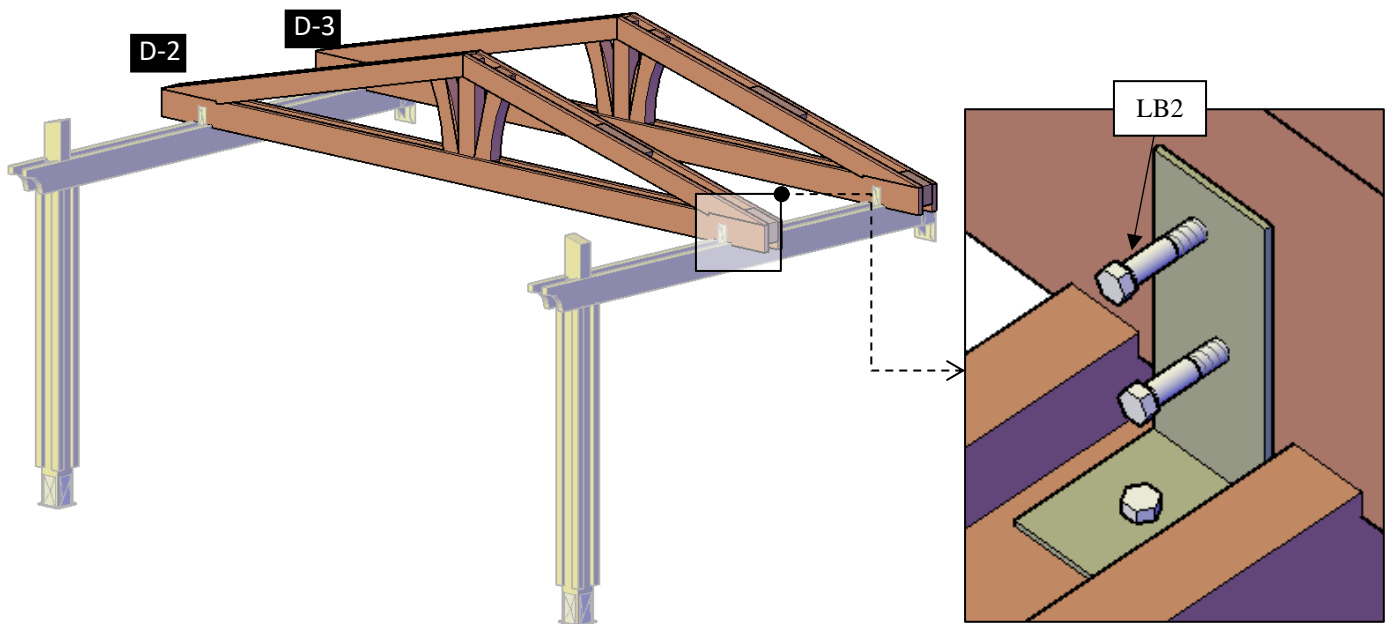


**Step 7:** Attach the metal plaques (**11**) to the supports with 3/8" x 3" lag bolts (**LB2**). Check the marked on each support and place as drawings shown.

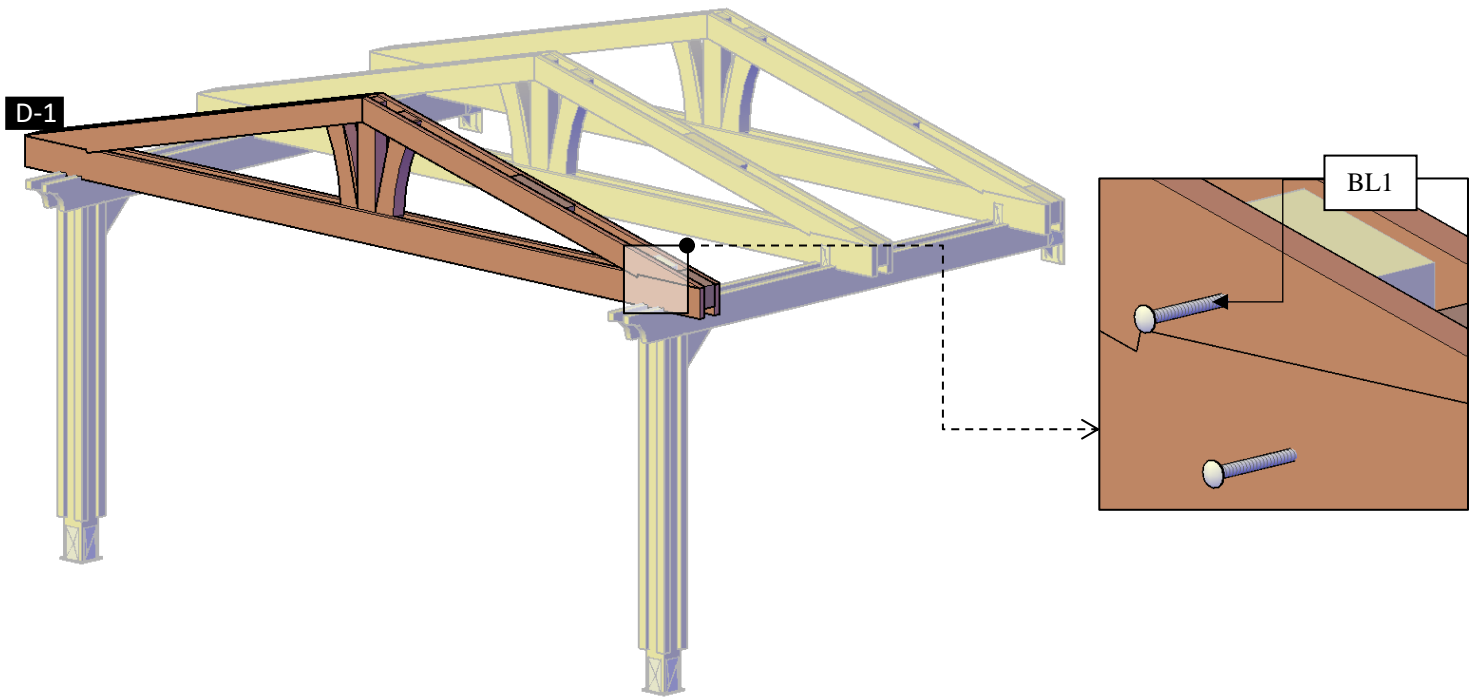


**Step 8:** Attach the Roof Trusses (**4**) to the posts metal base with 3/8" x 3" lag bolts (**LB2**). Check the marked on each roof trusses and place as drawings shown.

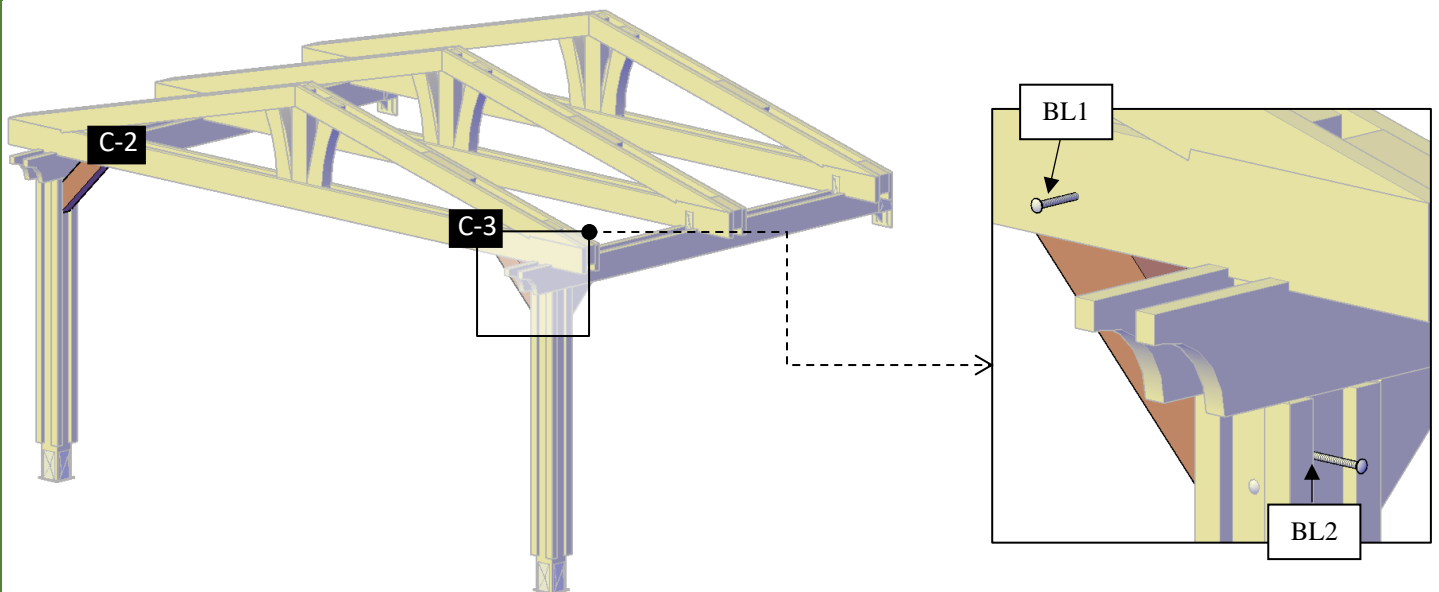
*Note: it is recommended not to completely tighten the lag bolts until all the roof trusses are placed.*



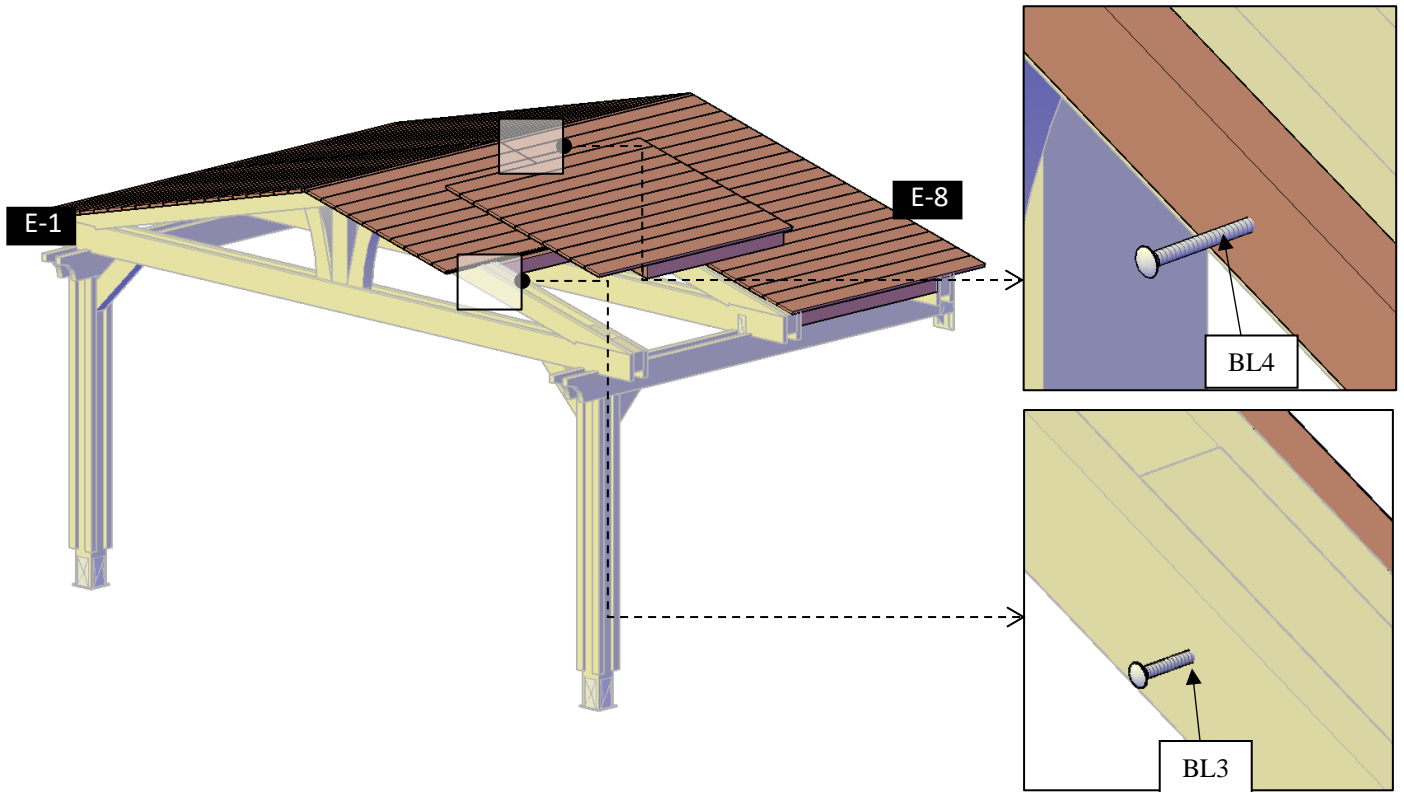
**Step 9:** Attach the roof trusses (4) to the post with 3/8" x 6 1/2" bolts (BL1). Check the marked on each roof truss and place as drawings shown.



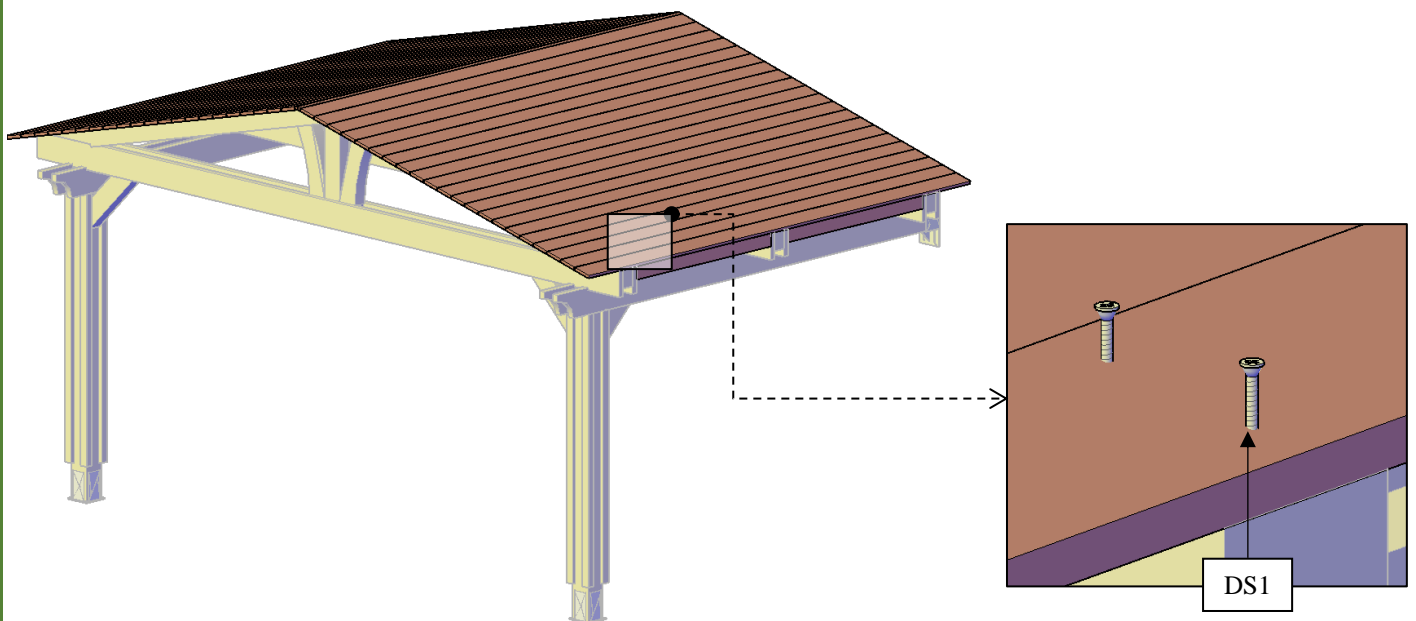
**Step 10:** Attach the secondary knee braces (8) to the Roof Trusses with 3/8" x 6 1/2" bolts (BL1) and to the posts with 3/8" x 10" Bolts (BL2). Check the marked on each secondary knee braces and place as drawings shown.



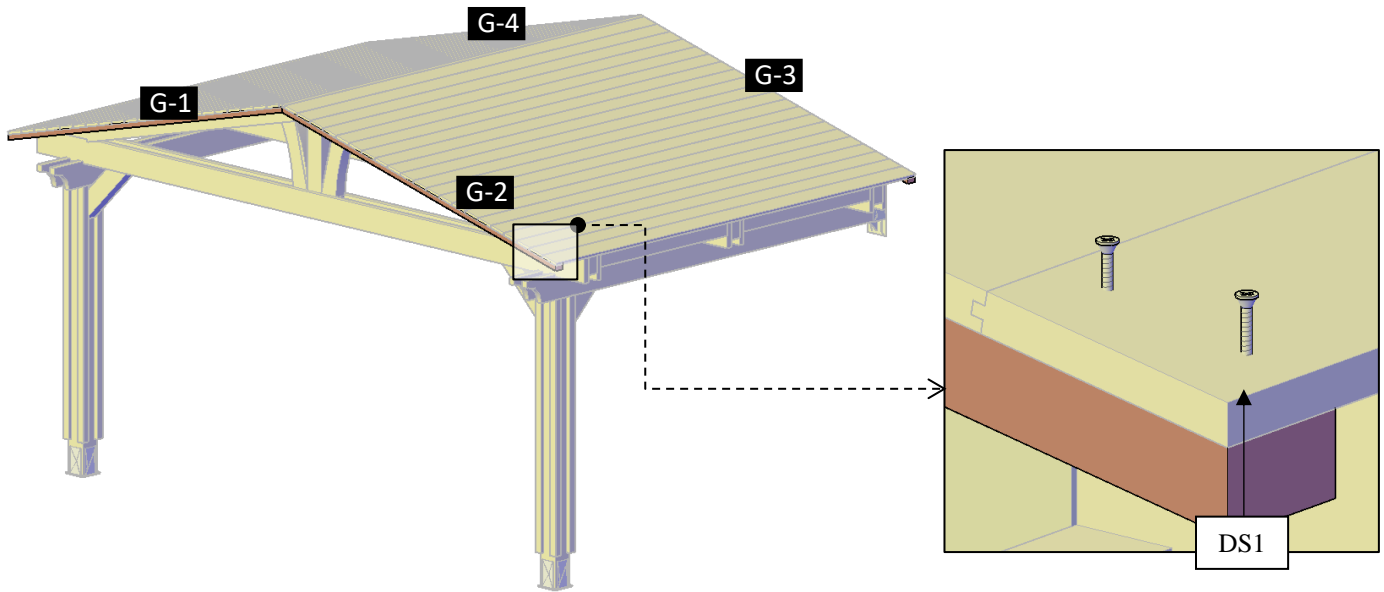
**Step 11:** Attach the roof panels (5) to the perimeter roof trusses with 3/8" x 8" bolts (BL3) and to the central roof trusses with 3/8" x 9 1/2" bolts (BL4). Check the marked numbers on each roof panels and place as drawings shown (E-1 at E-8).



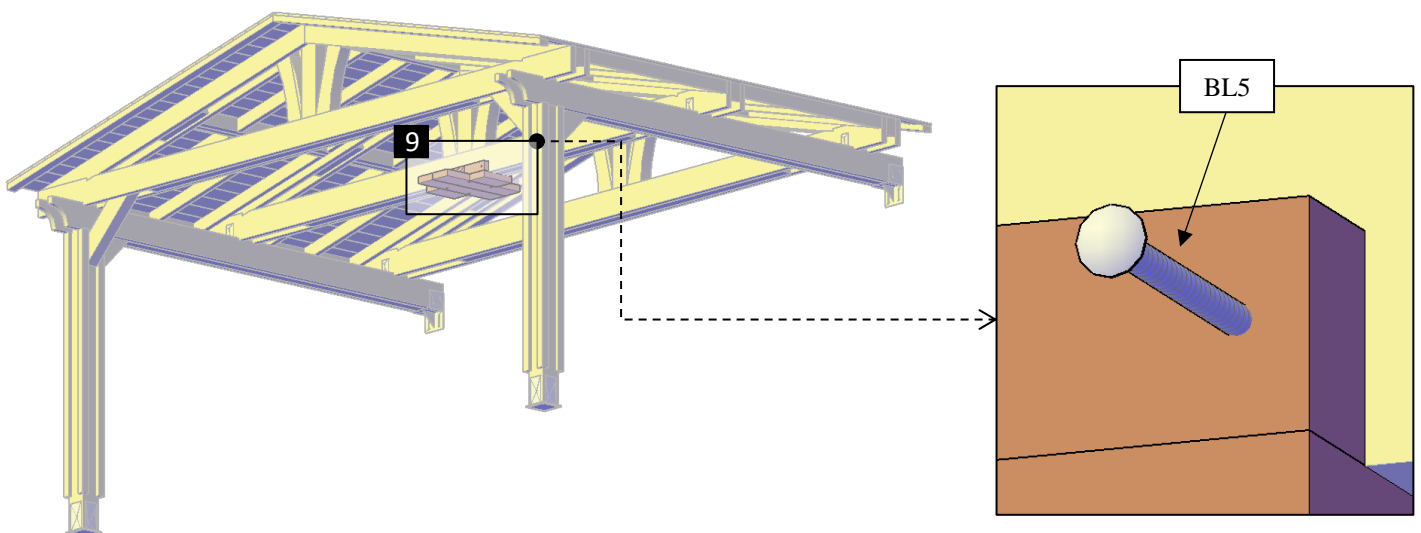
**Step 12:** Attach the roof boards to the Roof Trusses with 2" deck screws (DS1).



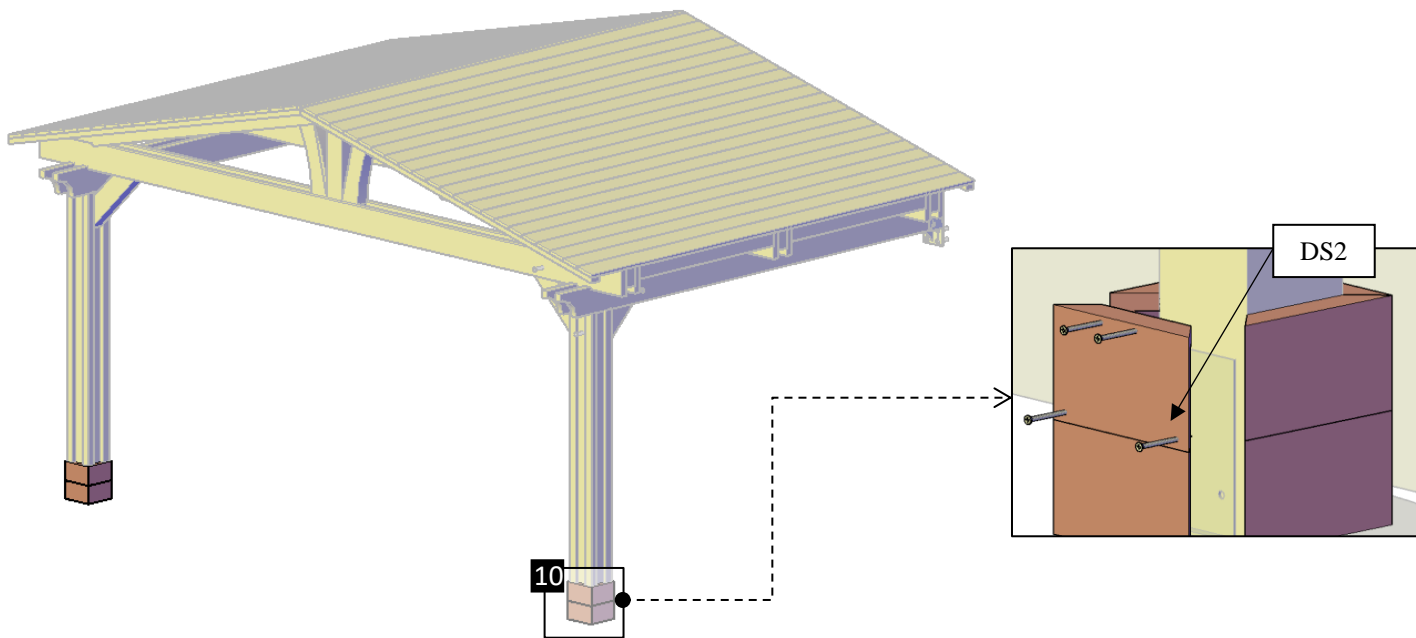
**Step 13:** Attach the interior roof trims (6) to the roof boards with 2" deck screws (DS1). Check the marked on each roof fascia and place as drawings shown.



**Step 14:** Attach the ceiling fan base (9) to the roof trusses with 5/16" x 11" bolts (BL5). Check the marked on each ceiling fan base and place as drawings shown.



**Step 15:** Finally, attach the boots (10) to each post with 3” deck screws (DS2).



*This completes the Pavilion assembly. Hope you enjoy your set for many decades. If you ever have a problem or a question, don't hesitate to call us (866 332 2403) or email us. We are here to support you.*