



FOREVER REDWOOD

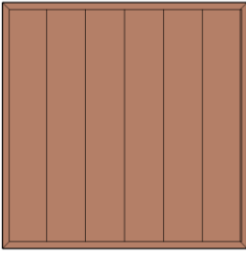
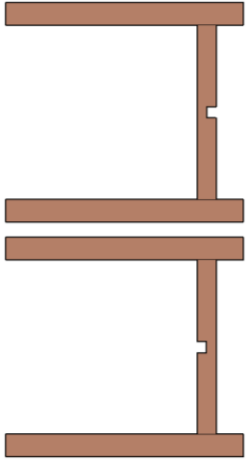
From the Forest, For the Forest since 1995

866.332.2403 (TOLL FREE); 7am – 7pm Pacific Time, Monday-Saturday

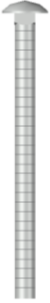

ASSEMBLY INSTRUCTIONS FOR THE GLADY'S BALCONY TABLE SET TABLE



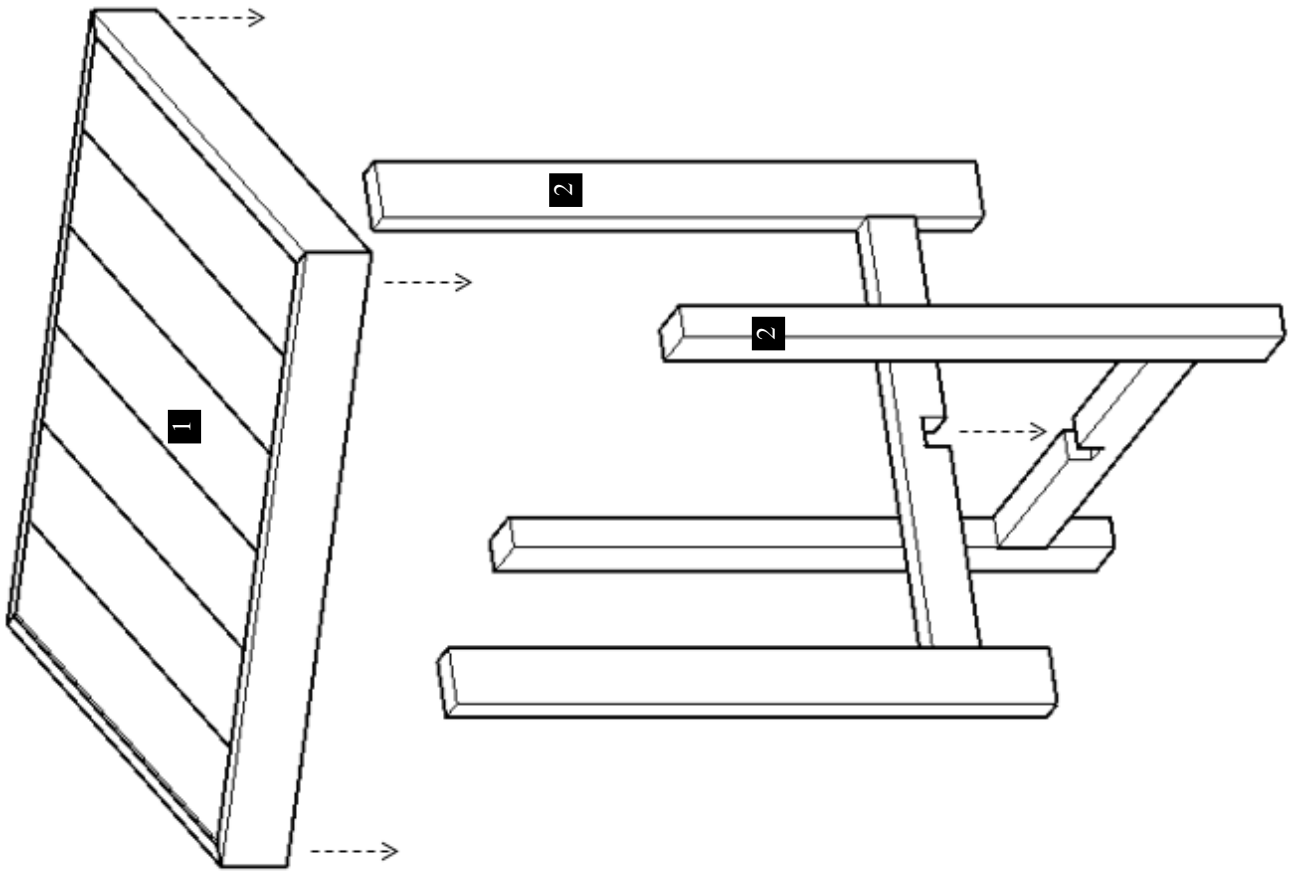


CONTENT OF BOXES			
Qty.	Description	Drawing	No.
1	Tabletop		1
2	Legs		2

Note: Part numbers in the Content of Boxes Table are for reference only. These do not match to the numbers marked on the parts sent.

CONTENT OF BOXES			
Description	Drawing	No.	
5/16'' x 4 1/2'' Bolts (To attach the legs to the tabletop).		A	
2 1/2'' Deck Screw (To attach the legs together).		B	

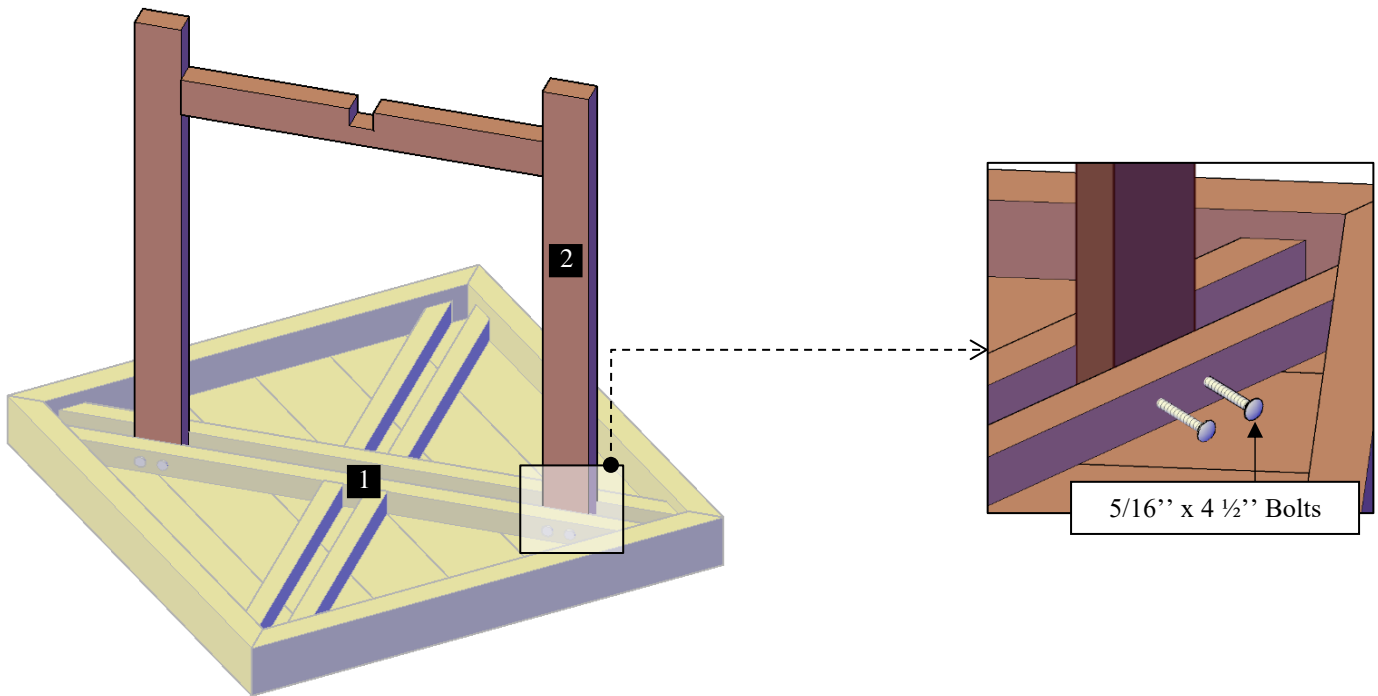
Note: Dimensions of your hardware will vary depending on size.



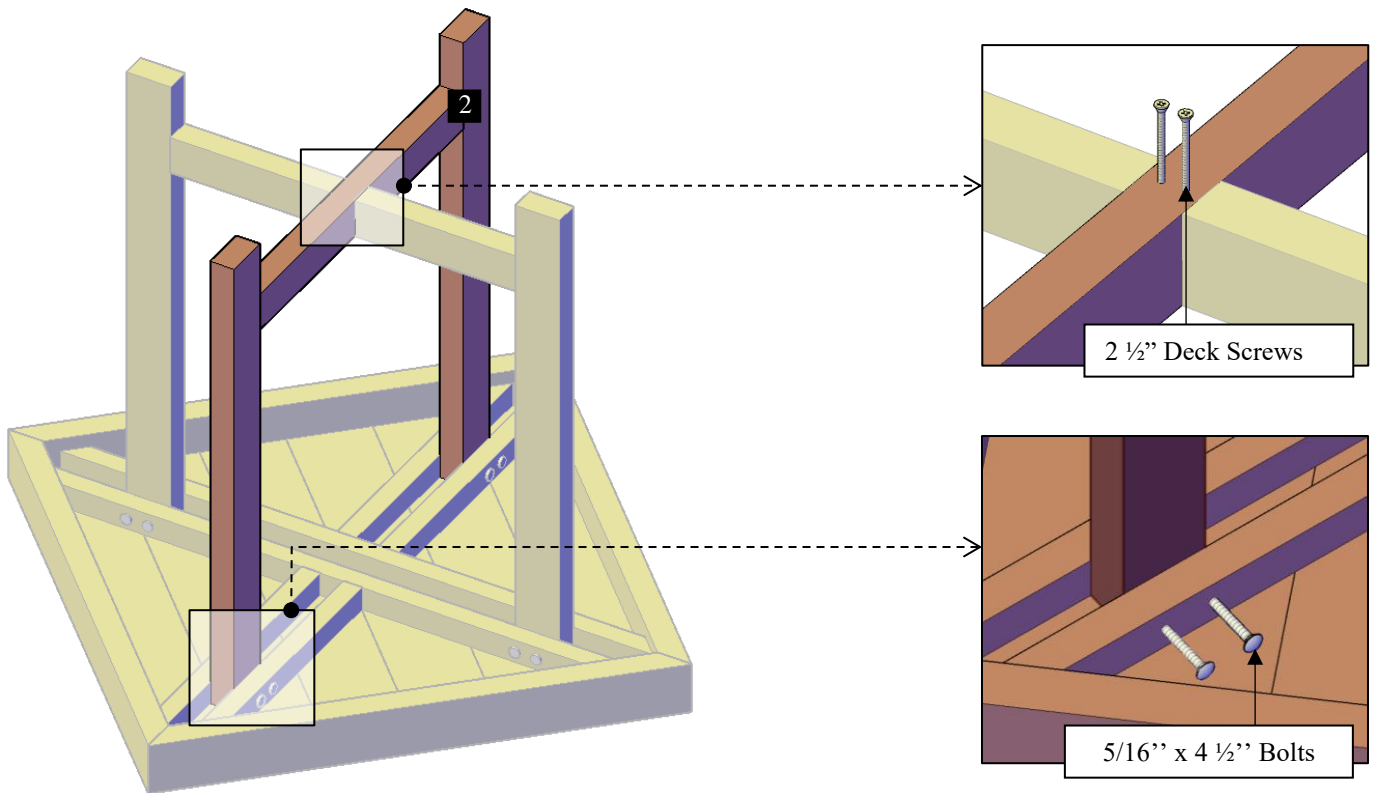
DESCRIPTION	No.
Tabletop	A
Legs	B

Note: Part numbers in the Drawing are for reference only. These do not match to the numbers marked on the parts sent.

Step 1: Place the Tabletop upside down. After that, use 5/16" x 4 1/2" bolts (A) to attach the leg (2) to the tabletop (1). Each part has a series of numbers that indicate where to attach the part with the corresponding number.



Step 2: Attach the second leg (2) to the tabletop with 5/16" x 4 1/2" bolts (A). The legs will be attached together with 2 1/2" deck screws (B). Each part has a series of numbers that indicate where to attach the part with the corresponding number.



Step 3: Finally, turn table over its feet.



This completes the Table Assembly. Hope you enjoy your set for many decades. If you ever have a problem or a question, don't hesitate to call us (866 332 2403) or email us. We are here to support you.