



FOREVER REDWOOD

From the Forest, For the Forest since 1995

866.332.2403 (TOLL FREE); 7am – 7pm Pacific Time, Monday-Saturday

ASSEMBLY INSTRUCTIONS FOR THE **HERITAGE LARGE WOODEN PICNIC TABLE** (UNATTACHED BENCHES)





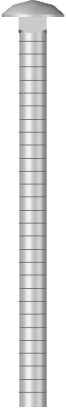
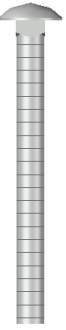
CONTENT OF BOXES

Qty.	Description	Drawing	No.
4	Legs		1
2	Supports-A		2
2	Supports-B		3
1	Tabletop		4
2	Diagonal Braces		5

Note: Part numbers in the Content of Boxes Table are for reference only. These do not match to the numbers marked on the parts sent.

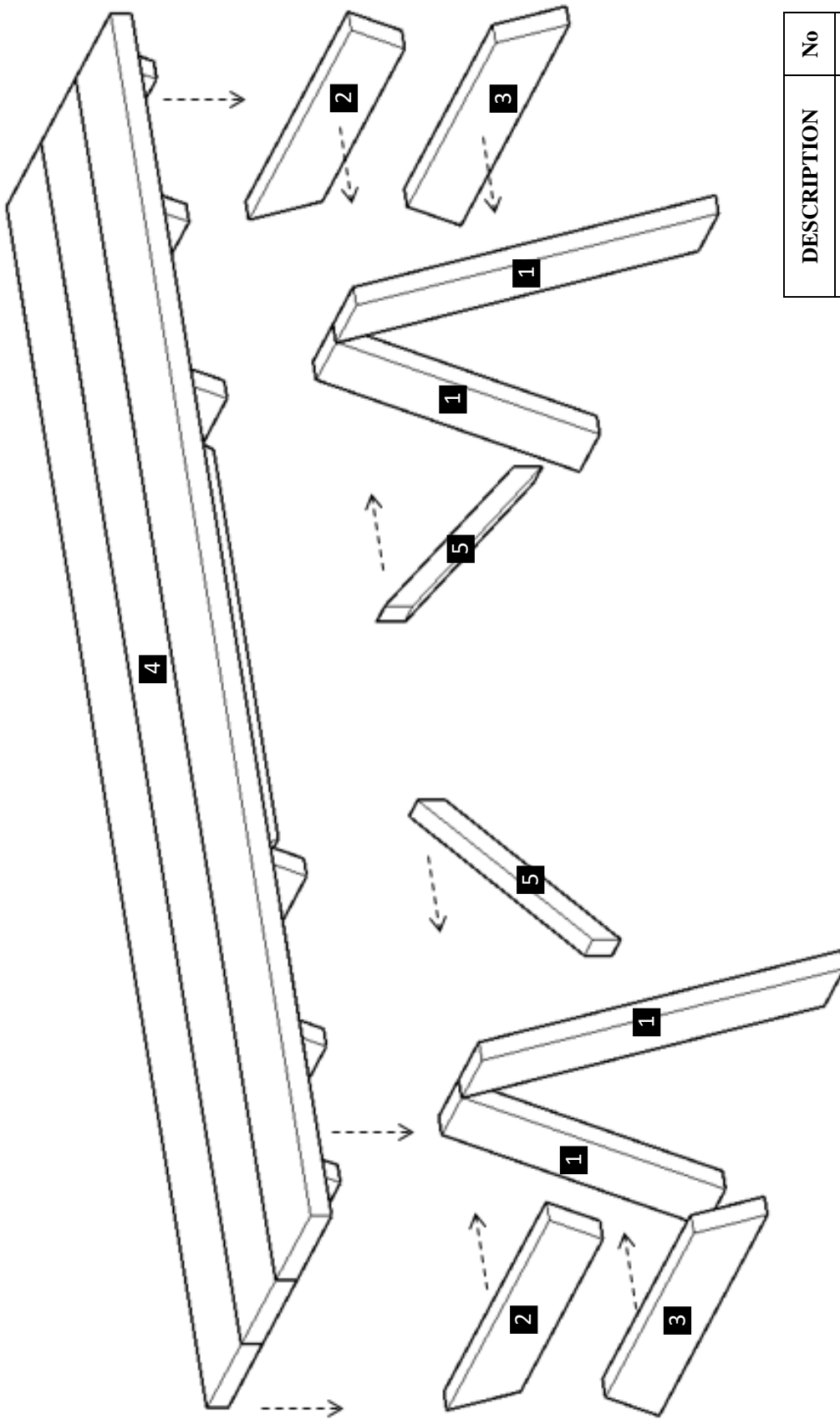




HARDWARE LIST		
Description	Drawing	No.
5/16" X 4 1/2" Bolts (To attach the supports A&B to the legs).		A
5/16" X 3 1/2" Bolts (To attach legs to the tabletop. / To attach the diagonal braces to the legs and to the tabletop).		B

Note: Dimensions of your hardware will vary depending on size.

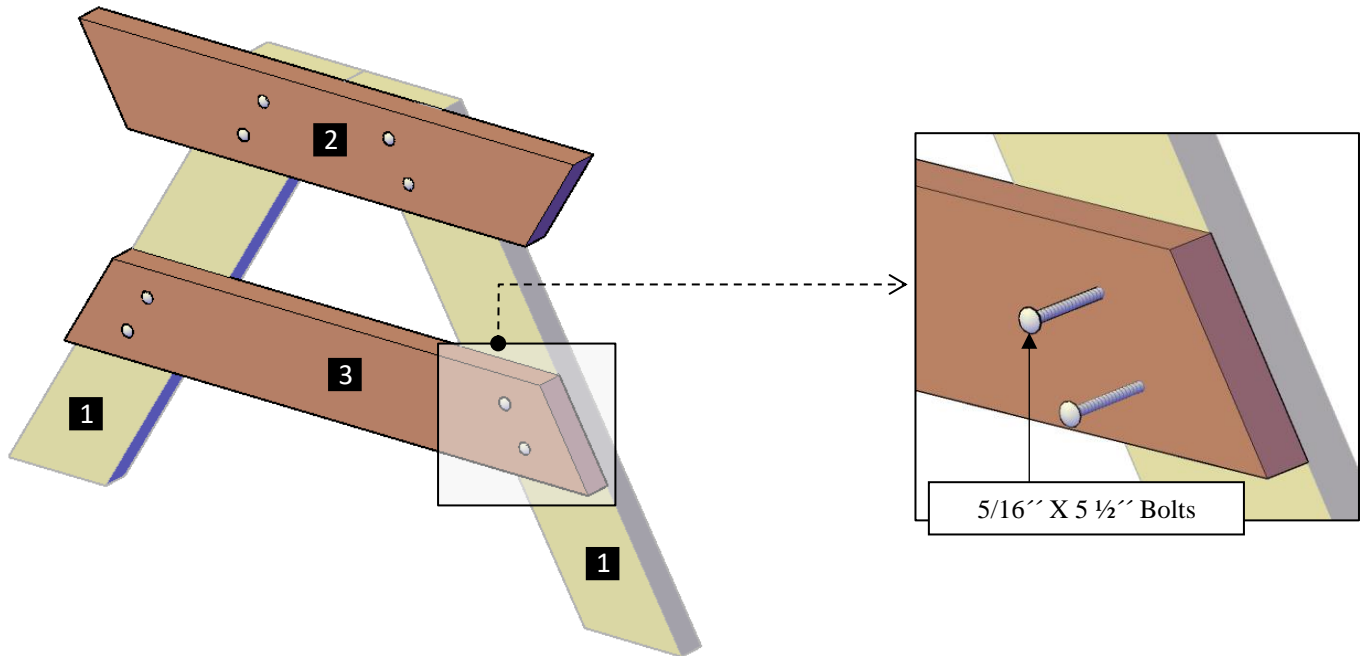




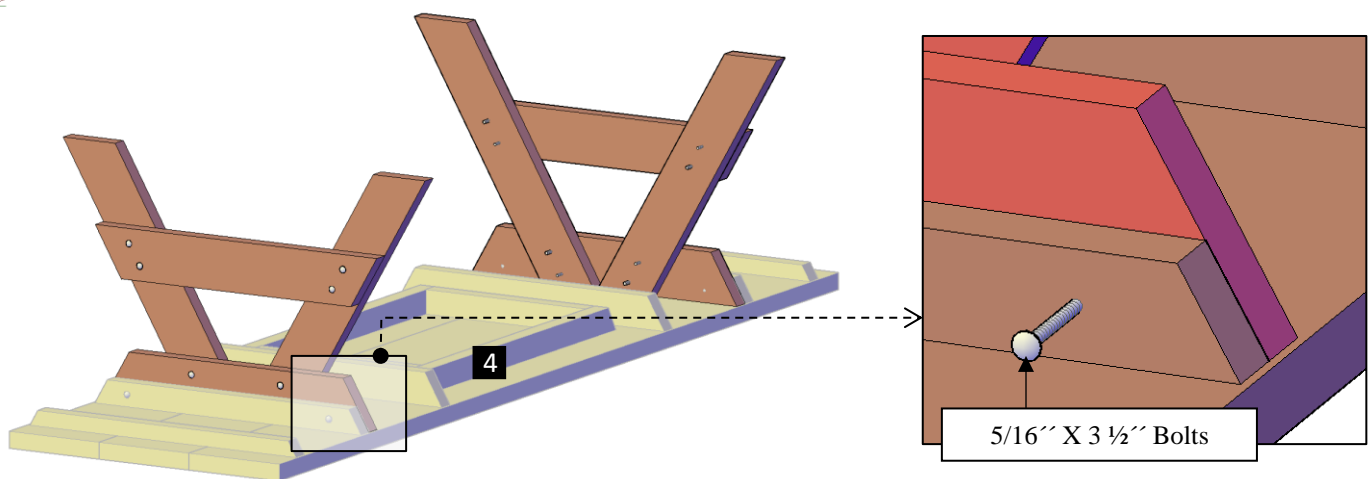
DESCRIPTION	No
Legs	1
Supports-A	2
Supports-B	3
Tabletop	4
Diagonal Braces	5

Note: Part numbers in the Drawing are for reference only. These do not match to the numbers marked on the parts sent.

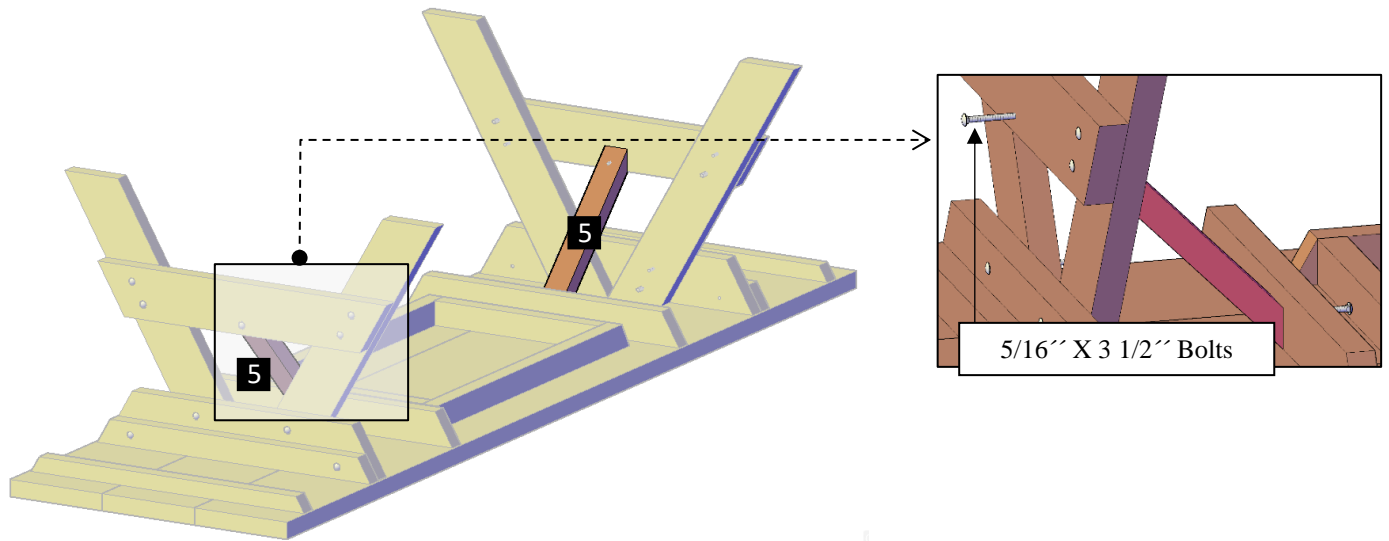
Step 1: Use 5/16" x 4 1/2" bolts (A) to attach the supports A&B (2,3) to the legs (4). Each part has a series of numbers that indicate where to attach the part with the corresponding number.



Step 2: Place the tabletop upside down. After that, attach the legs to the tabletop (5) with 5/16" x 3 1/2" bolts (B). Each part has a series of numbers that indicate where to attach the part with the corresponding number.



Step 3: Use 5/16" x 3 1/2" bolts (B) to attach the diagonal supports (5) to the tabletop and to the legs. Each part has a series of numbers that indicate where to attach the part with the corresponding number.



Step 4: Finally, turn the table over its feet.





This completes the Picnic Table assembly. Hope you enjoy your set for many decades. If you ever have a problem or a question, don't hesitate to call us (866 332 2403) or email us. We are here to support you.