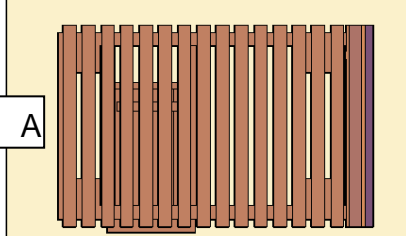


Assembly instructions for:
**HONEYMOON & SINGLE LA GRANGE
CHAISE LOUNGERS**

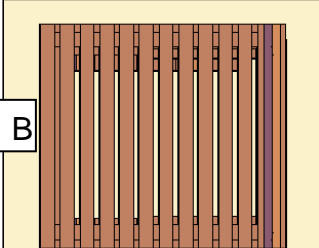


Number of boxes: 3

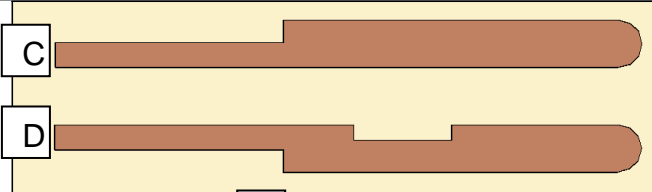
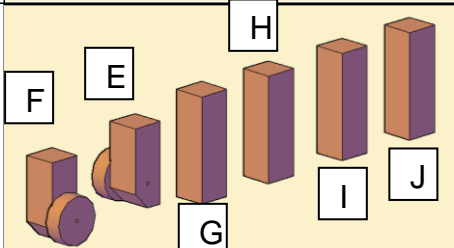
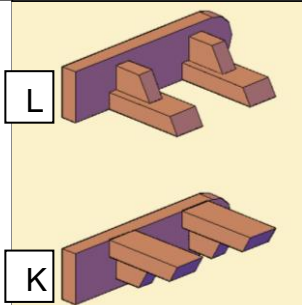
Box 1 of 3:

<u>Quantity</u>	<u>Description</u>	<u>Drawing</u>
3	Carriage bolts $\frac{5}{16}$ " x $3\frac{1}{2}$ ", Washers and Nuts	
8	Carriage bolts $\frac{5}{16}$ " x $5\frac{1}{2}$ ", Washers and Nuts	
2	Carriage bolts $\frac{5}{16}$ " x $4\frac{1}{2}$ ", Washers and Nuts	
12	Carriage bolts $\frac{3}{8}$ " x 7", Washers and Nuts	
1	Seat (A)	

Box 2 of 3:

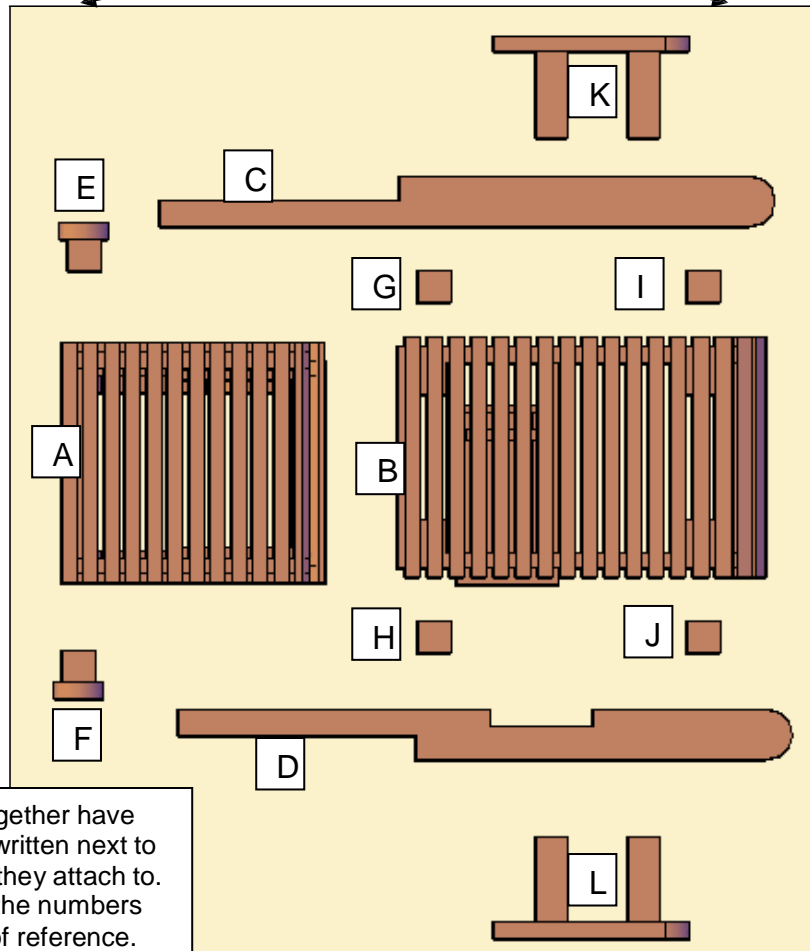
<u>Quantity</u>	<u>Description</u>	<u>Drawing</u>
1	Backrest (B)	

Box 3 of 3:

<u>Quantity</u>	<u>Description</u>	<u>Drawing</u>
2	Supports (Right C, left D)	
6	Backrest Legs (E,F) Seat Legs (G,H,I,J)	
2	Assemblies Right Armrest (K) and left Armrest (L)	

ASSEMBLY INSTRUCTIONS

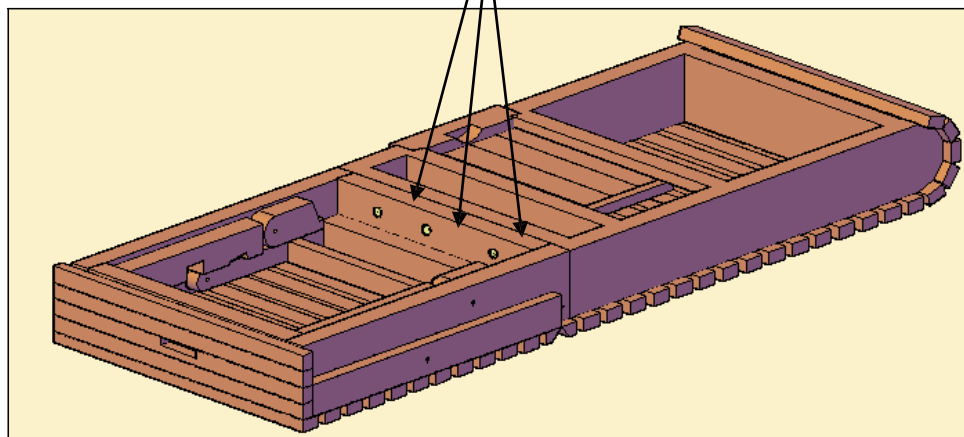
CONTENT OF THE BOXES

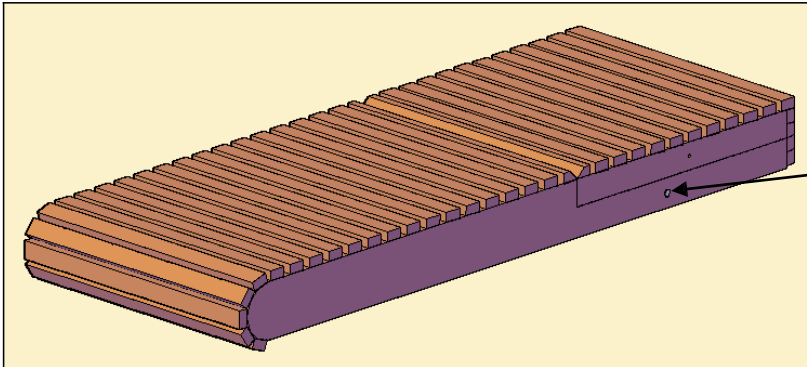
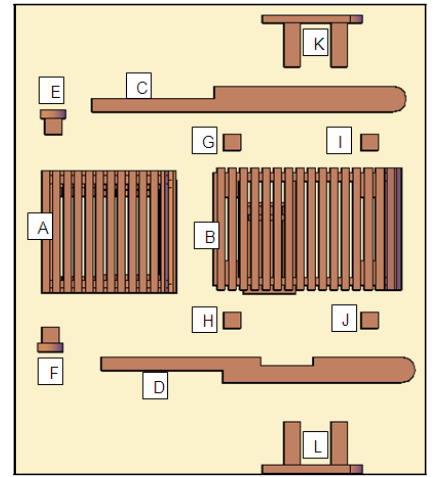


The parts that go together have the same numbers written next to the predrilled holes they attach to. Align the parts with the numbers as shown for ease of reference.

STEP 1:

Attach part B (backrest) to part A (seat), with three bolts ($5/16"$ x $3\ 1/2"$), washers & nuts (into three holes marked "1"). Tap the bolt all the way into the wood to set it. Then add a washer and nut and lightly tighten.



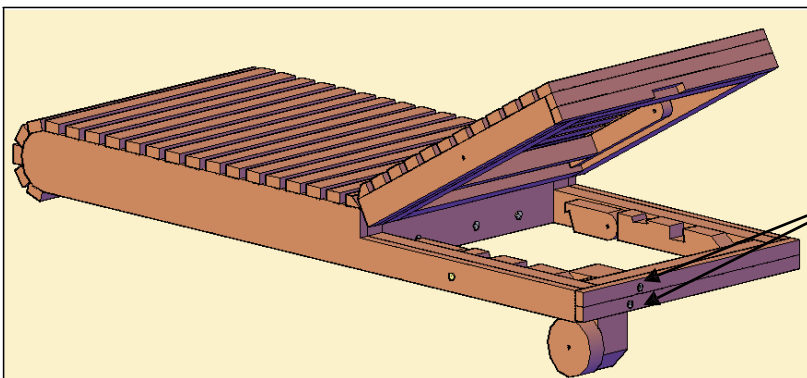
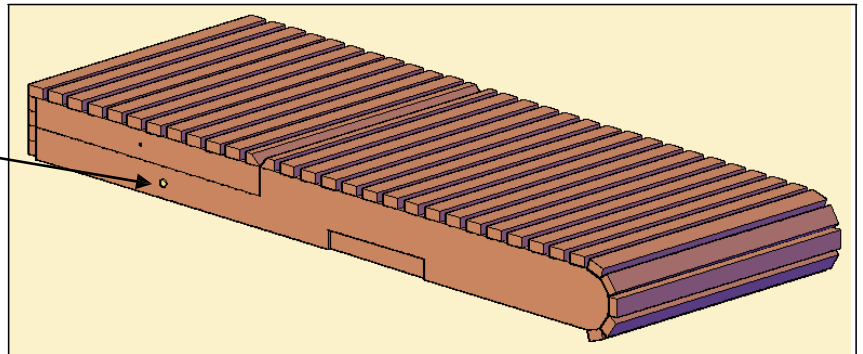


STEP 2:

Attach part C (right support) to part A (backrest), with one bolt ($5/16$ " x $4 \frac{1}{2}$ "), washer & nut (into one hole marked "2"). Tap the bolt all the way into the wood to set it. Then add a washer and nut and lightly tighten.

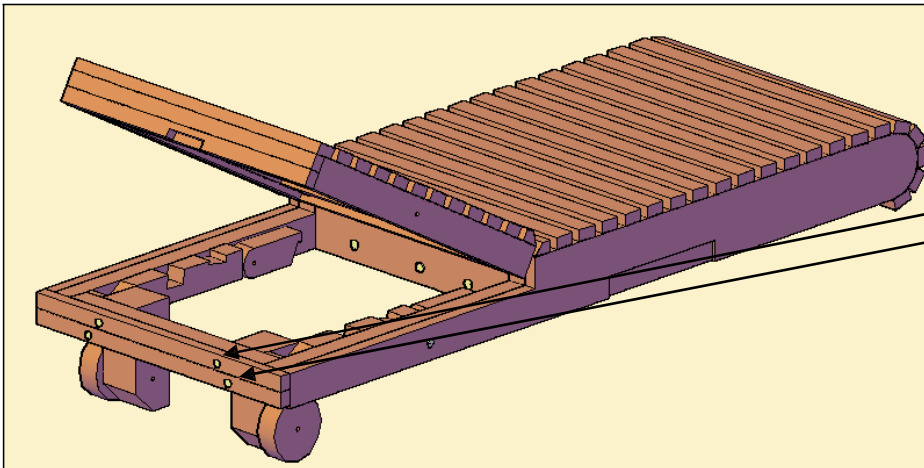
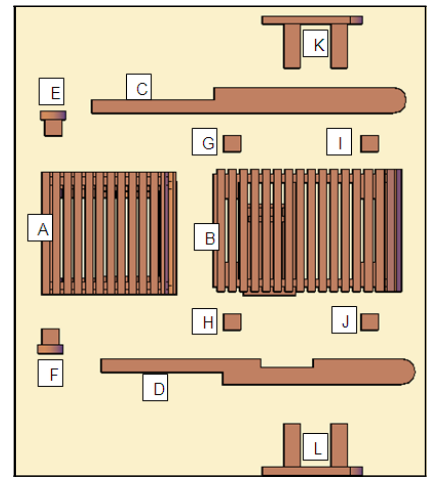
STEP 3:

Attach part D (left support) to part A (backrest), with one bolt ($5/16$ " x $4 \frac{1}{2}$ "), washer & nut (into one hole marked "3"). Tap the bolt all the way into the wood to set it. Then add a washer and nut and lightly tighten.



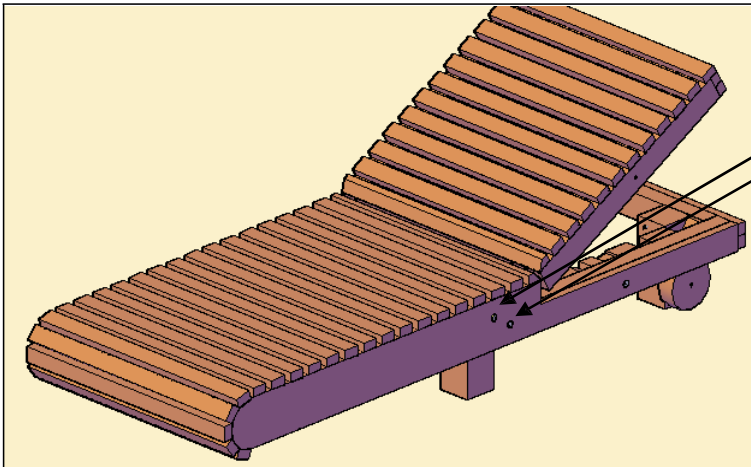
STEP 4:

Attach part E (backrest leg) to part A (backrest), with two bolts ($3/8$ " x 7"), washers & nuts (into two holes marked "4"). Tap the bolt all the way into the wood to set it. Then add a washer and nut and lightly tighten.



STEP 5:

Attach part F (backrest leg) to part A (backrest), with two bolts ($3/8$ " x 7"), washers & nuts (into two holes marked "5"). Tap the bolt all the way into the wood to set it. Then add a washer and nut and lightly tighten.

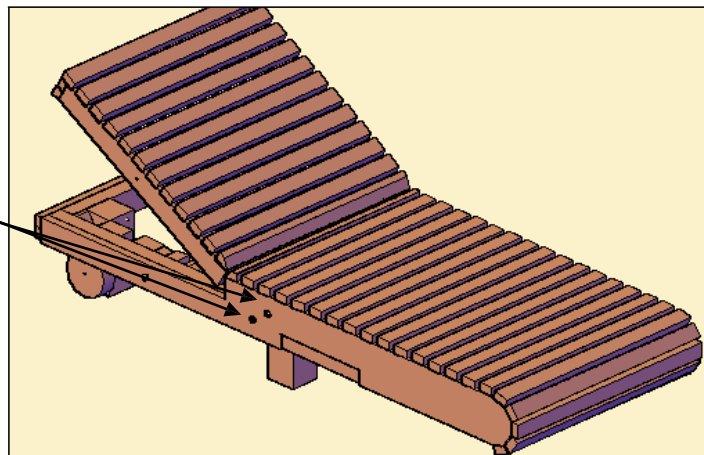


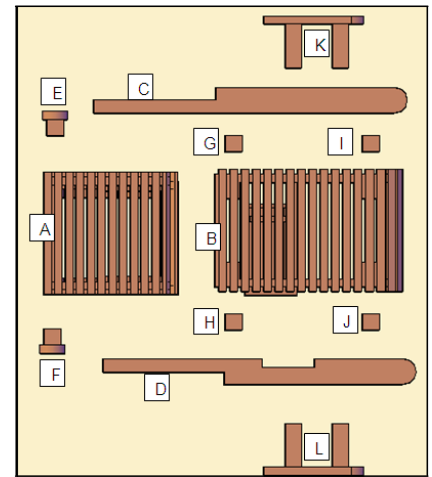
STEP 6:

Attach part C (right support) to part B & G (seat & seat leg), with two bolts ($3/8$ " x 7"), washers & nuts (into two holes marked "6"). Tap the bolt all the way into the wood to set it. Then add a washer and nut and lightly tighten.

STEP 7:

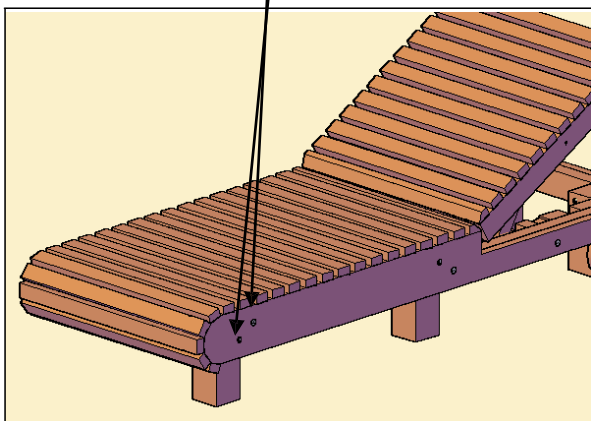
Attach part D (left support) to part B & H (seat & seat leg), with two bolts ($3/8$ " x 7"), washers & nuts (into two holes marked "7"). Tap the bolt all the way into the wood to set it. Then add a washer and nut and lightly tighten.





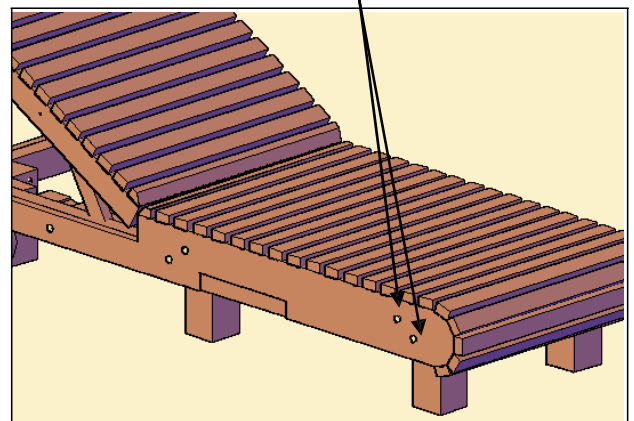
STEP 8:

Attach part C (right support) to part B & I (seat & seat leg), with two bolt ($3/8$ " x 7"), washers & nuts (into two holes marked "8"). Tap the bolt all the way into the wood to set it. Then add a washer and nut and lightly tighten.



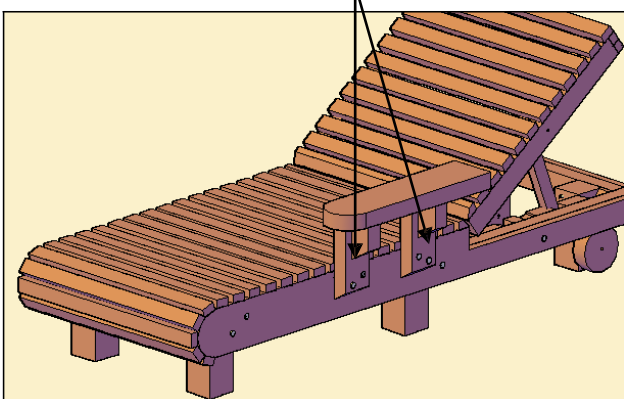
STEP 9:

Attach part D (left support) to part B & J (seat & seat leg), with two bolt ($3/8$ " x 7"), washer & nut (into two holes marked "9"). Tap the bolt all the way into the wood to set it. Then add a washer and nut and lightly tighten.



STEP 10:

Attach part K (assembly right armrest) to part C (right support), with four bolts ($5/16$ " x $5\frac{1}{2}$ "), washers & nuts (into four holes marked "10" & "X"). Tap the bolt all the way into the wood to set it. Then add a washer and nut and lightly



STEP 11:

Attach part L (assembly left armrest) to part D (left support), with four bolts ($5/16$ " x $5\frac{1}{2}$ "), washers & nuts (into four holes marked "11" & "X"). Tap the bolt all the way into the wood to set it. Then add a washer and nut and lightly

