



# FOREVER REDWOOD

*From the Forest, For the Forest since 1995*

---

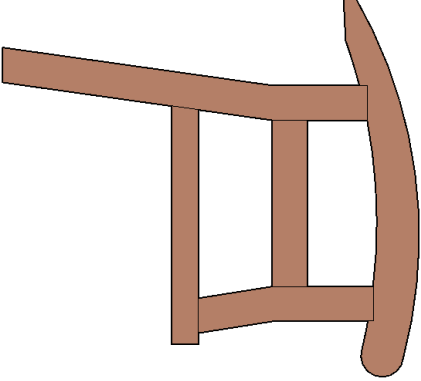
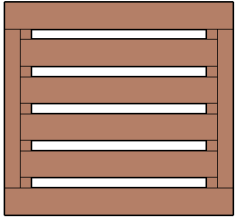
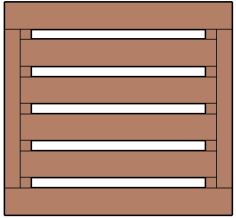

866.332.2403 (TOLL FREE); 7am – 7pm Pacific Time, Monday-Saturday

## ASSEMBLY INSTRUCTIONS FOR THE KID'S WOODEN ROCKING CHAIR





**CONTENT OF BOXES**

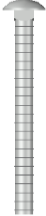


Qty.	Description	Drawing	No.
2	Legs		1
1	Seat		2
1	Backrest		3
1	Support		4

*Note: Part numbers in the Content of Boxes Table are for reference only. These do not match to the numbers marked on the parts sent.*





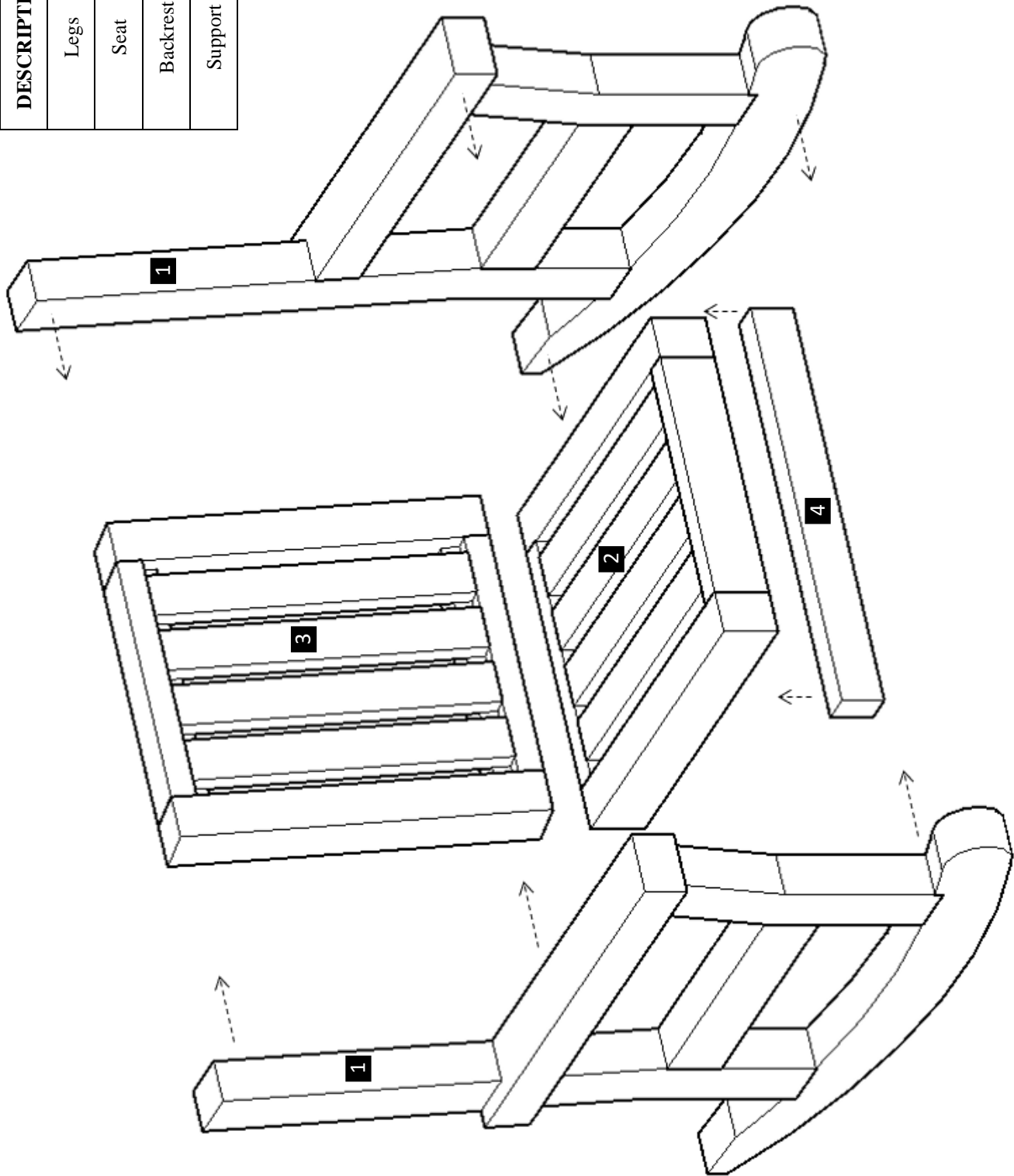
**HARDWARE LIST**

<b>Description</b>	<b>Drawing</b>	<b>No.</b>
5/16" X 3 1/2" Bolts (To attach the backrest the seat and the support to the legs).		A
5/16" Washers		B
5/16" Nuts		C

*Note: Dimensions of your hardware will vary depending on size.*



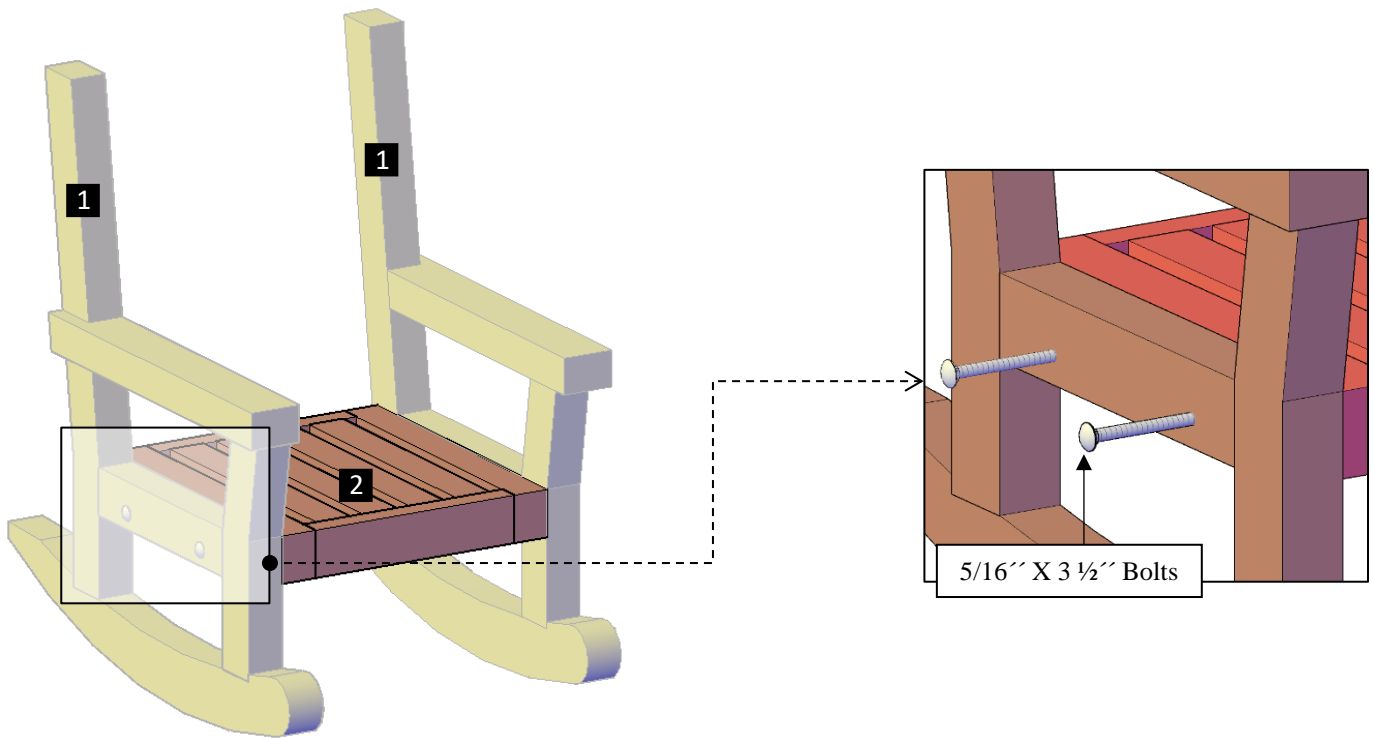
DESCRIPTION	No
Legs	1
Seat	2
Backrest	3
Support	4



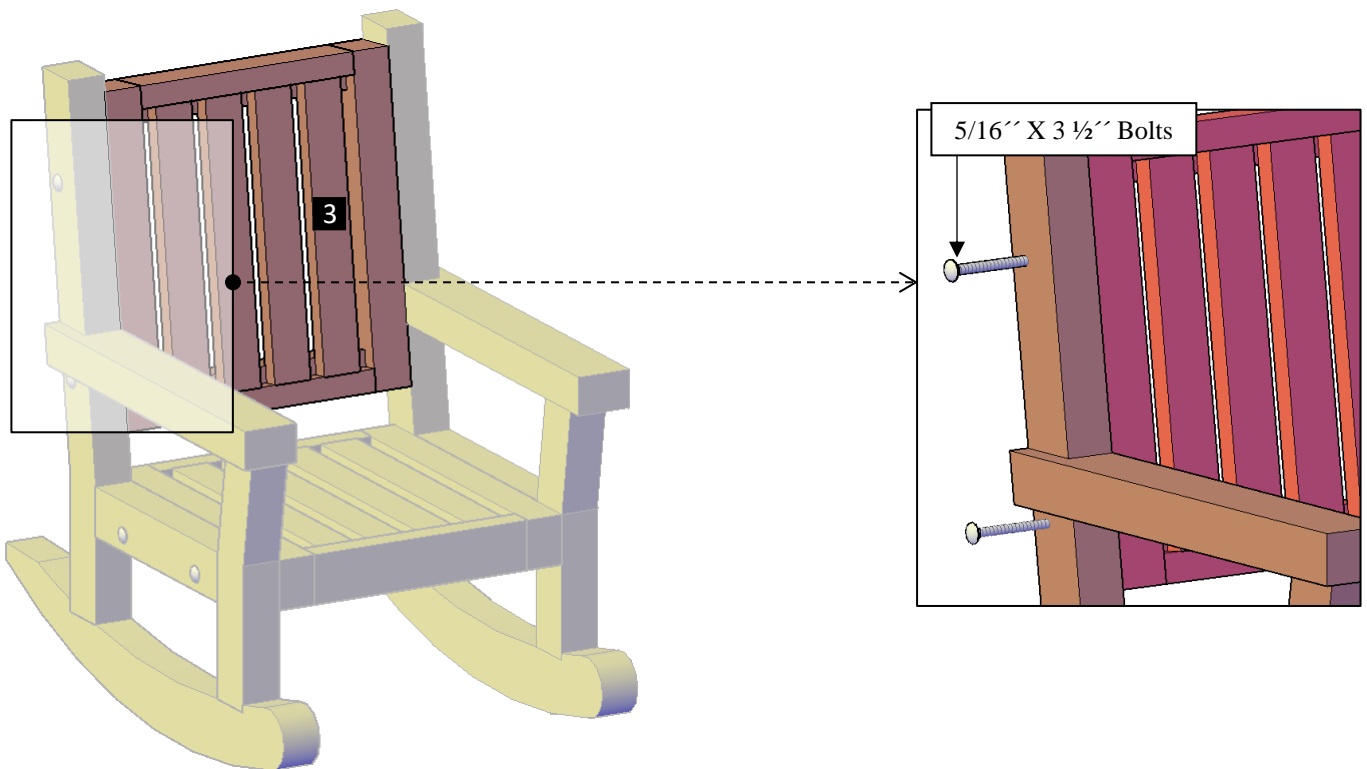
*Note: Part numbers in the Drawing are for reference only. These do not match to the numbers marked on the parts sent.*



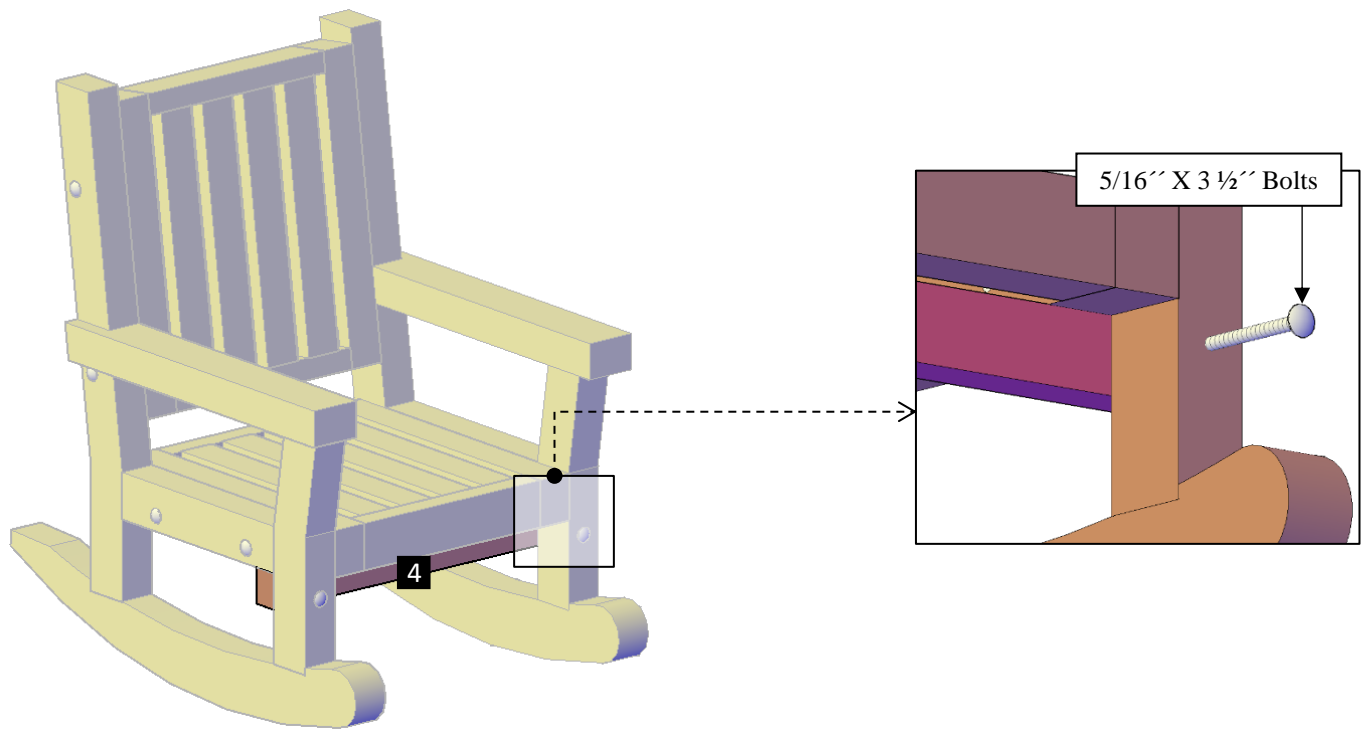
**Step 1:** Use 5/16" x 3 1/2" bolts (A) with washers (B) & nuts (C) to attach the seat (2) to the legs (1). Each part has a series of numbers that indicate where to attach the part with the corresponding number.



**Step 2:** Attach the backrest (3) to the legs with 5/16" x 3 1/2" bolts (A), washers (B) & nuts (C). Each part has a series of numbers that indicate where to attach the part with the corresponding number.



**Step 3:** Finally, use 5/16" x 3 1/2" bolts (B) with washers (B) & nuts (C) to attach the support (4) to the legs. Each part has a series of numbers that indicate where to attach the part with the corresponding number.





*This completes the Rocking Chair Assembly. Hope you enjoy your set for many decades. If you ever have a problem or a question, don't hesitate to call us (866 332 2403) or email us. We are here to support you.*