



# FOREVER REDWOOD

*From the Forest, For the Forest since 1995*

---




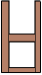



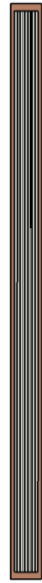



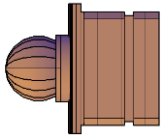
866.332.2403 (TOLL FREE); 7am – 7pm Pacific Time, Monday-Saturday

## ASSEMBLY INSTRUCTIONS FOR THE **KIKUE'S TEA HOUSE**





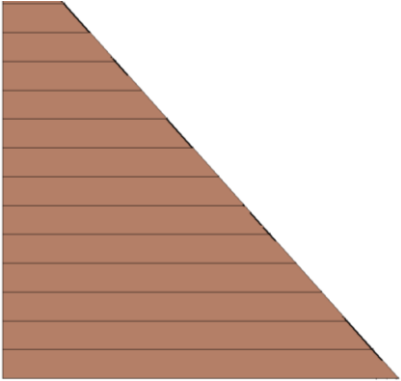

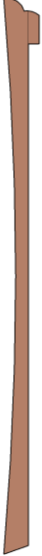

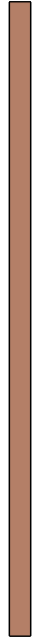

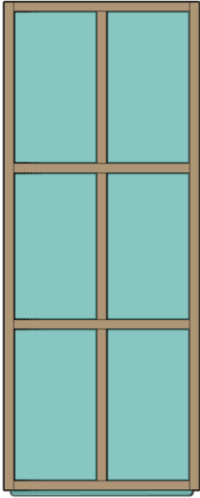



CONTENT OF BOXES

Qty.	Description	Drawing	No.
4	Posts		1
Quantity Will vary	Short Deck Supports <b>If ordered.</b>		2
2	Long Deck Supports <b>If ordered.</b>		3
4	Post Supports <b>If ordered.</b>		4
Quantity Will vary	Deck Boards <b>If ordered.</b>		5
4	Wall Frames with Grooves		6
8	Lateral Wall Frames		7
4	Wall Frames with metal rails.		8
4	Supports with In-between Blocking		9
4	Single Supports		10
4	Diagonal Rafters		11
1	Roof Frame		12

**Note:** Part numbers in the Content of Boxes Table are for reference only. These do not match to the numbers marked on the parts sent.



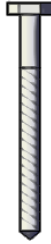





CONTENT OF BOXES

Qty.	Description	Drawing	No.
8	Roof Panels		13
Quantity Will vary	Roof Boards <b>If ordered.</b>		14
4	Roof Trims		15
4	Interior Trims		16
4	Exterior Trims		17
4	Boots <b>If ordered.</b>		18
12	Windows Wall Panels		19
4	Anchor Bases or L-Anchor Bases	 	20
4	Metal Plaques		21







Note: Part numbers in the Content of Boxes Table are for reference only. These do not match to the numbers marked on the parts sent.

## HARDWARE LIST

Description	Drawing	No.
<p><math>\frac{1}{2}</math>" X 4" Anchor Bolts (To attach the anchor bases to the ground).</p>		A
<p><math>\frac{5}{16}</math>" X 3" Lag Bolts (To attach the anchor bases to the posts. / To attach the wall frames to the posts. / To attach the metal plaques to the supports).</p>		B
<p><math>\frac{5}{16}</math>" X 4" Lag Bolts (To attach the L-Anchor Bases to the posts and to the deck).</p>		C
<p>3" Deck Screws (To attach the short deck supports to the long deck supports. / To attach the posts supports and the deck boards to the deck supports).</p>		D
<p>4" Deck Screws (To attach the wall frames together).</p>		E
<p><math>\frac{3}{8}</math>" X 6" Lag Bolts (To attach the single supports to the posts and to the supports with in-between blocking. / To attach the roof panels to the supports. / To attach the roof trims to the roof panels).</p>		F

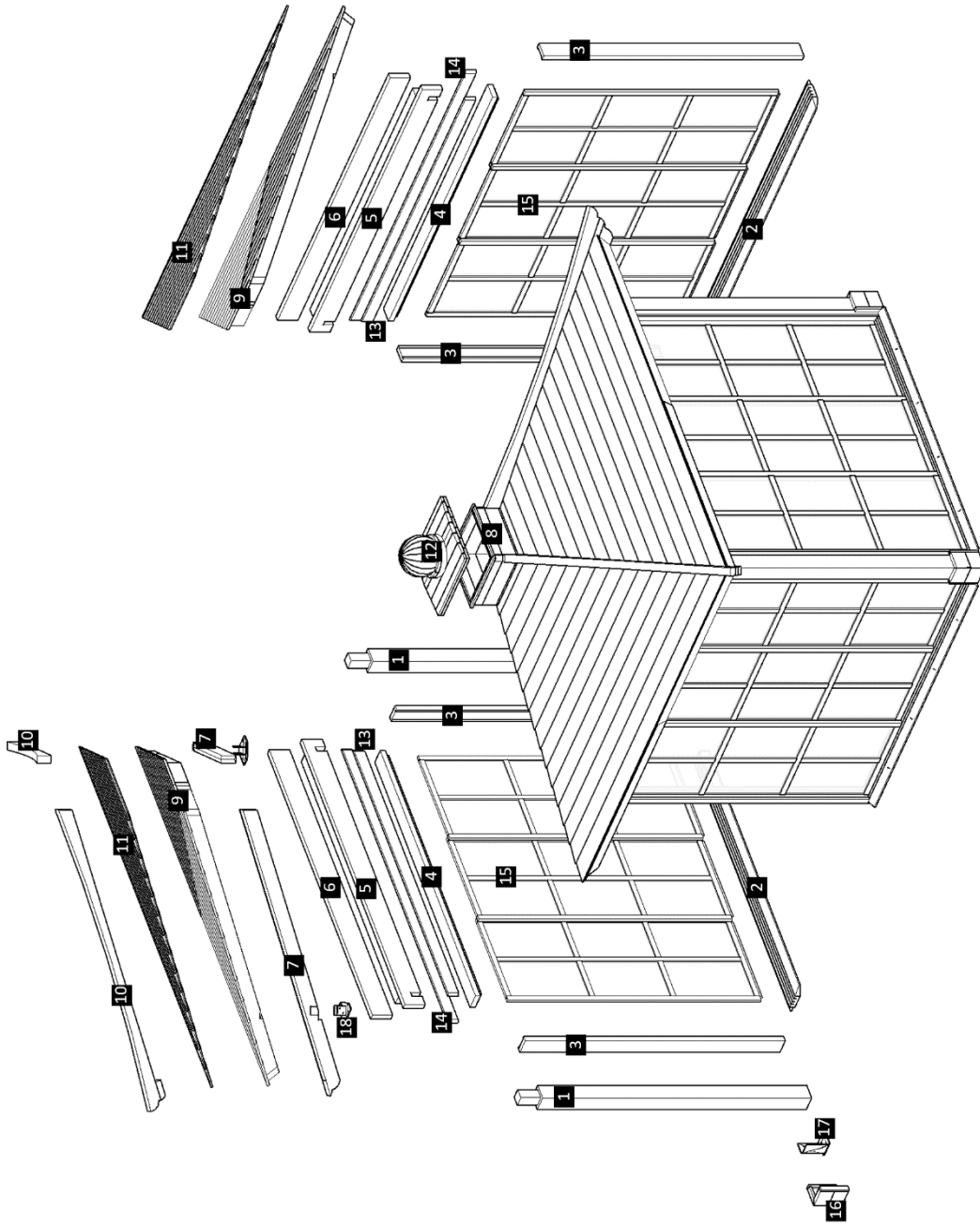
**Note:** Dimensions of your hardware will vary depending on size.

## HARDWARE LIST

Description	Drawing	No.
<p>2 1/2" Deck Screws (To attach the single supports together. / To attach the diagonal rafters to the roof frame. To attach the interior trims and the exterior trims to the wall frames. / To attach the boots to the posts).</p>		G
<p>3/8" X 7" Bolts (To attach the supports together).</p>		H
<p>5/16" X 3" Bolts (To attach the diagonal rafters to the metal plaques).</p>		I
<p>5/16" X 3 1/2" Bolts (To attach the roof panels to the roof frame).</p>		J
<p>1 5/8" Deck Screws (To attach the roof boards to the roof panels).</p>		K
<p>3/8" X 8" Lag Bolts (To attach the roof trims to the roof panels).</p>		L

**Note:** Dimensions of your hardware will vary depending on size.

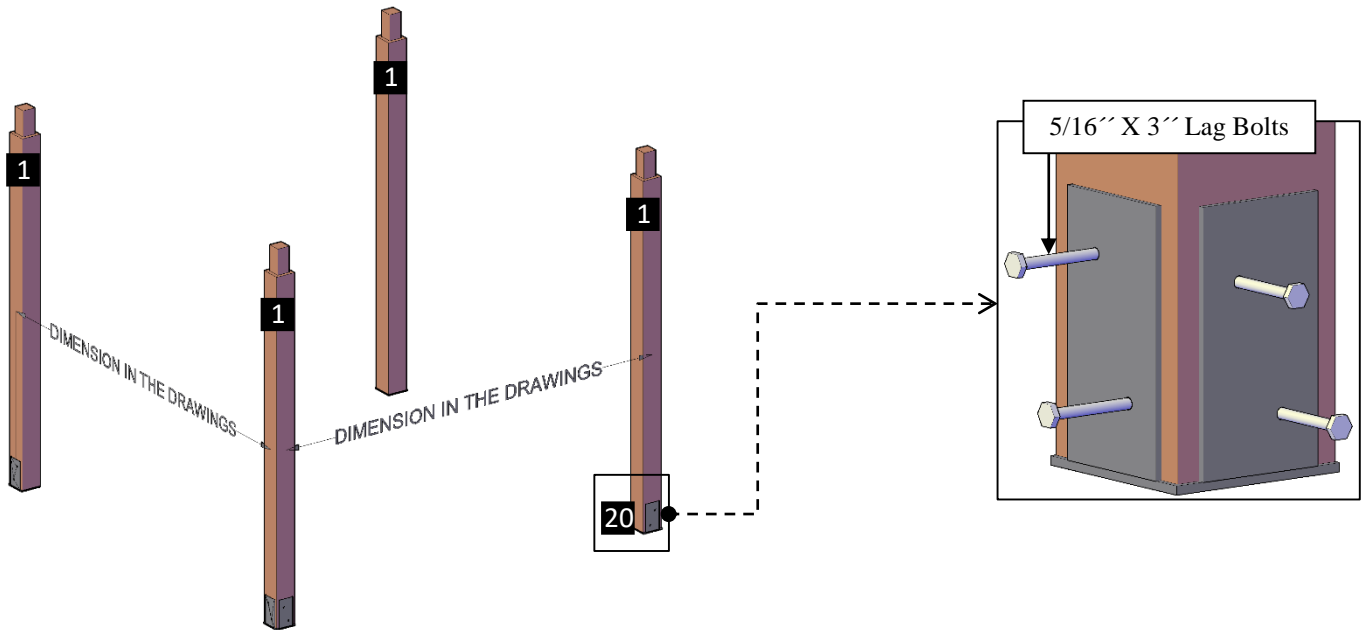
DESCRIPTION	No.
Posts	1
Wall Frames with Grooves	2
Lateral Wall Frames	3
Wall Frames with metal rails.	4
Supports with In-between Blocking	5
Single Supports	6
Diagonal Rafter	7
Roof Frame	8
Roof Panels	9
Roof Trims	10
Roof Boards	11
Second Roof Frame	12
Interior Trims	13
Exterior Trims	14
Windows Wall Panels	15
Boots	16
Anchor Bases	17
Metal Plaques	18



**Note:** Part numbers in the Drawing are for reference only. These do not match to the numbers marked on the parts sent.

## Option A. Without Deck

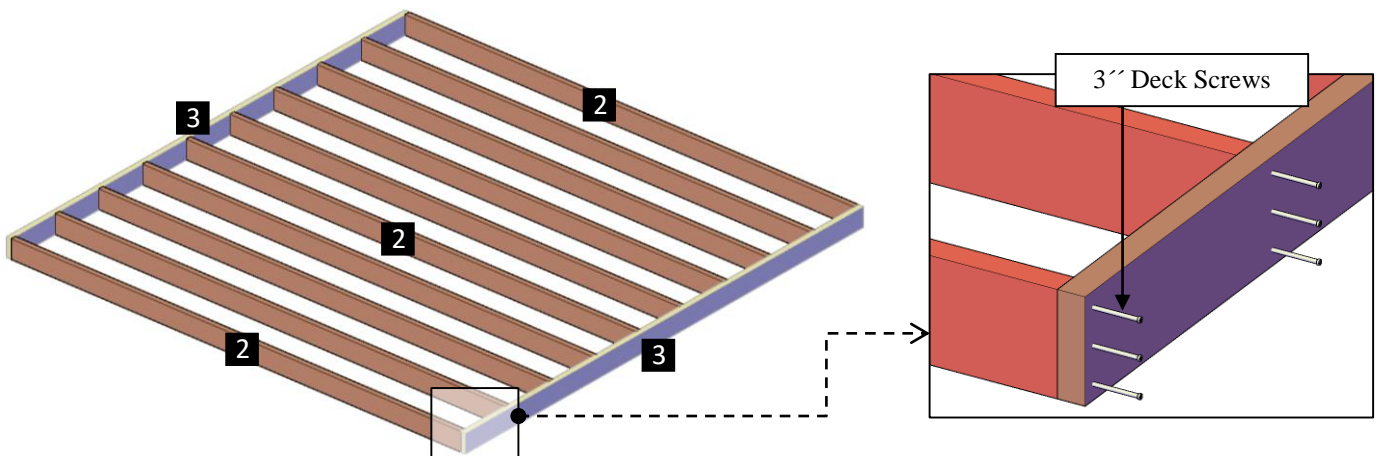
**Step 1:** Install the anchor bases (20) with ½" x 4" anchor bolts (A). Please see the "How to anchor your pergola document" for all details. Set your post (1) in the saddle of the anchor bases. Drill a ø ¼" hole prior to anchoring in each post to facilitate the ratcheting of the hardware. After that, use a 5/16" x 3" lag bolts (B) to attach each post to the anchor bases.



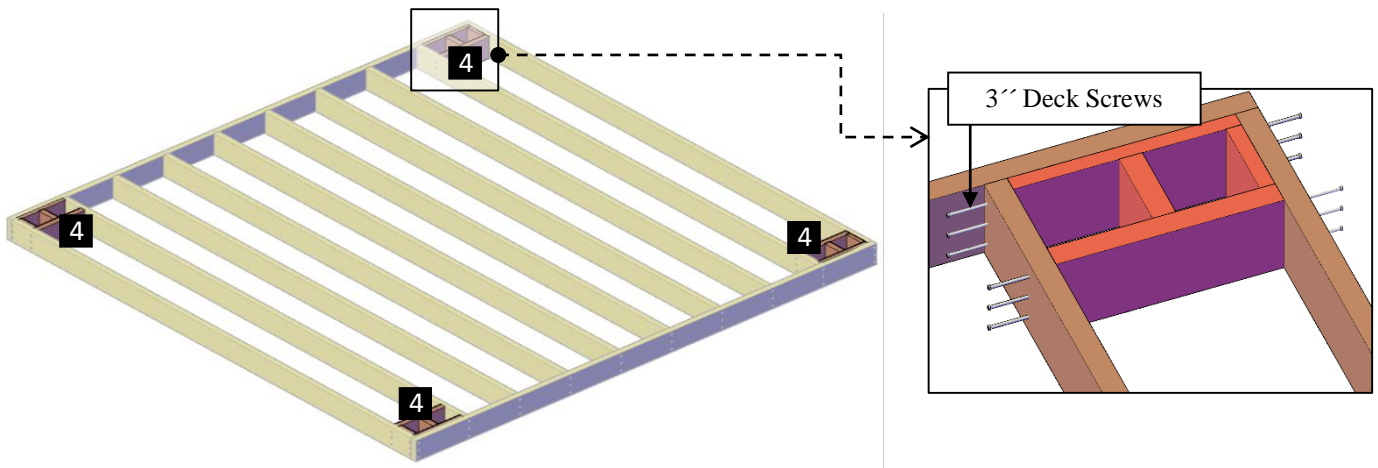
*Note:* Go to step 6.

## Option B. With Deck

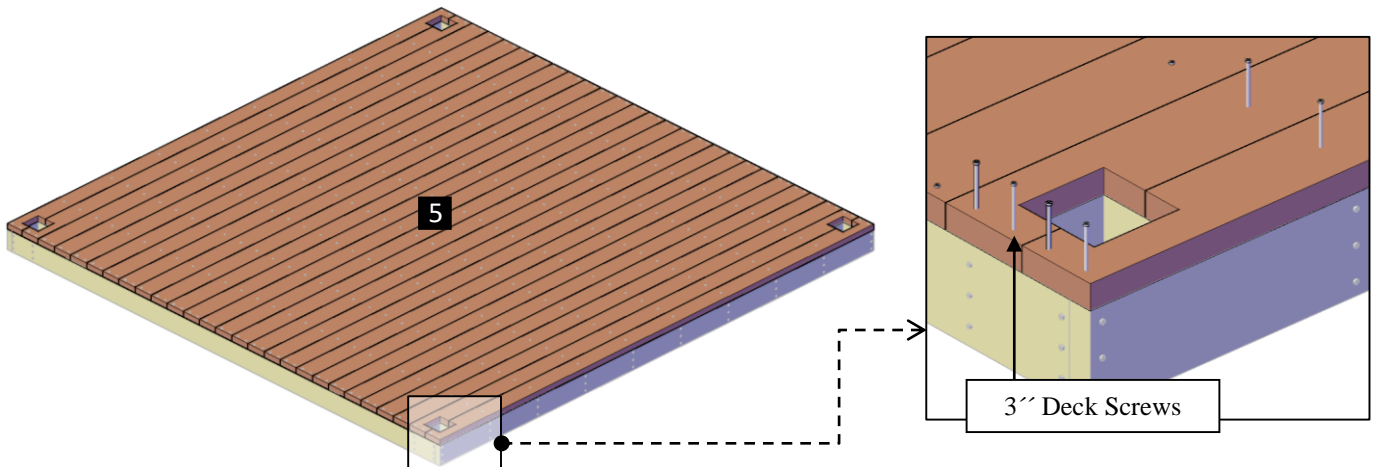
**Step 2:** Attach the short deck supports (2) to the long deck supports (3) with 3" deck screws (D). Each part has a series of numbers that indicate where to attach the part with the corresponding number.



**Step 3:** Attach the posts supports (4) to the deck supports with 3'' deck screws (D). Each part has a series of numbers that indicate where to attach the part with the corresponding number.

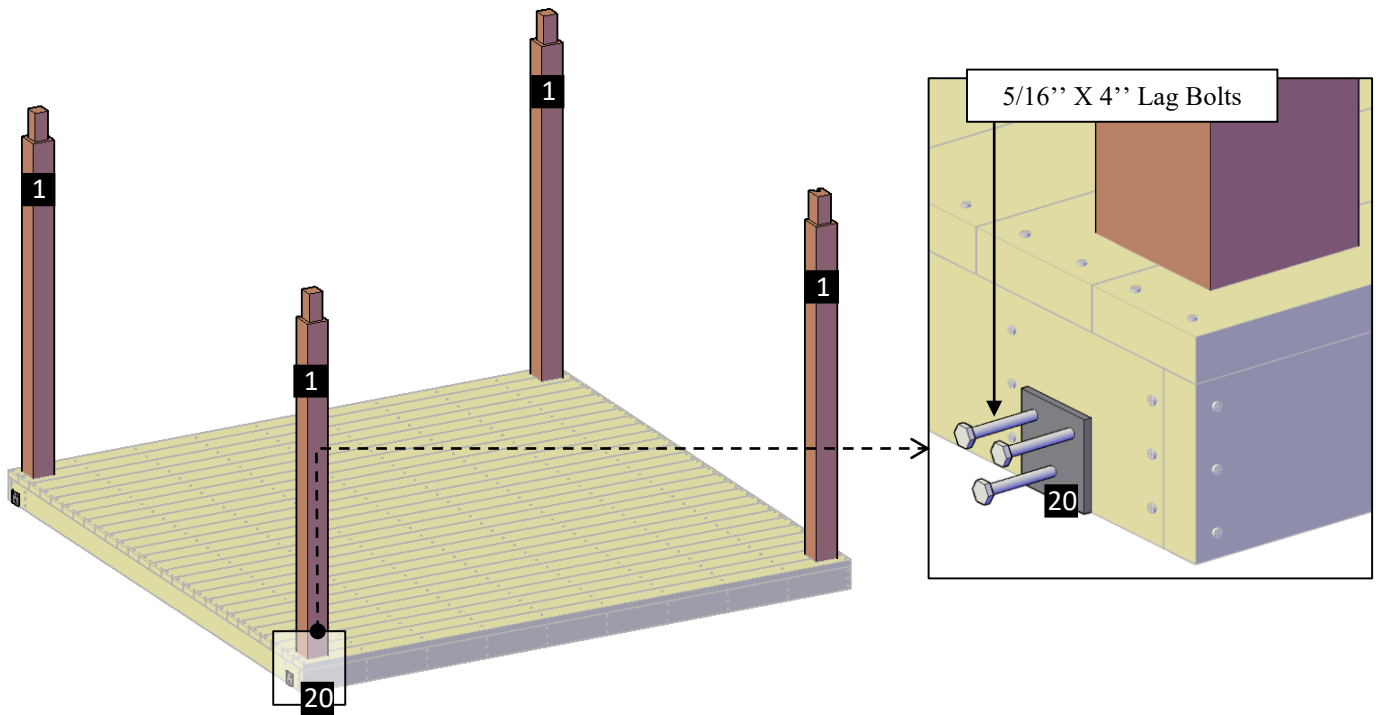


**Step 4:** Attach the deck boards (5) to the deck supports with 3'' deck screws (D). Each part has a series of numbers that indicate where to attach the part with the corresponding number.

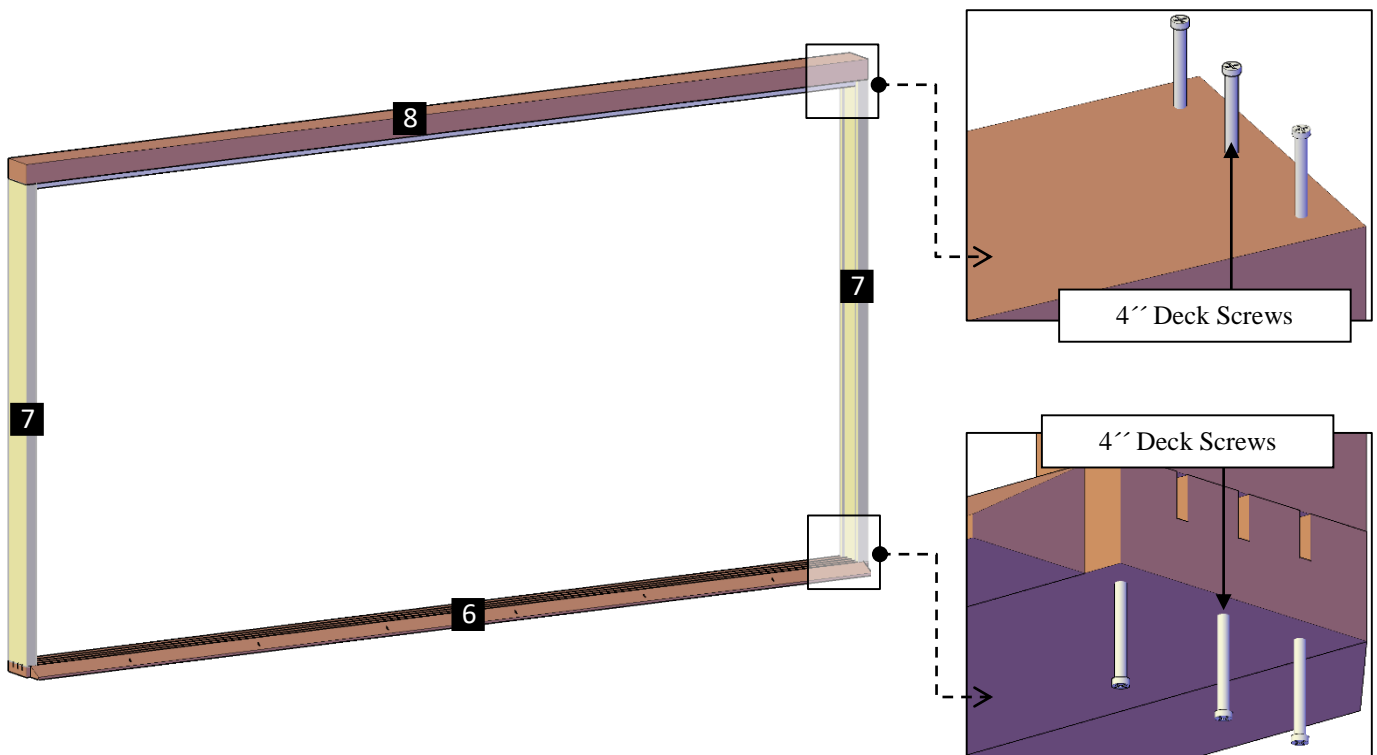




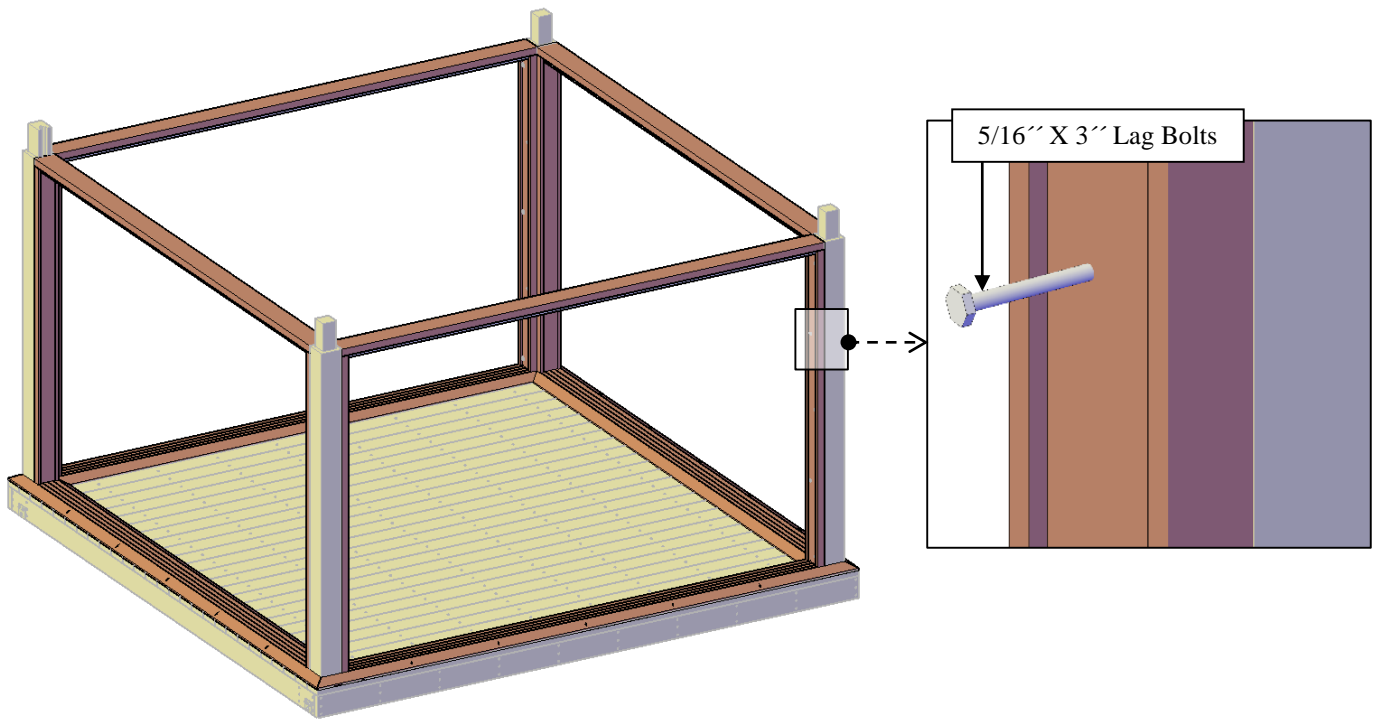
**Step 5:** Install the L-Anchor bases (20) with ½" x 4" anchor bolts (A). Please see the "How to anchor your pergola document" for all details. Set your post (1) in the saddle of the L-Anchor bases. Drill a ø ¼" hole prior to anchoring in each post to facilitate the ratcheting of the hardware. After that, use a 5/16" x 4" lag bolts (C) to attach each post to the L-Anchor Bases and the deck supports.



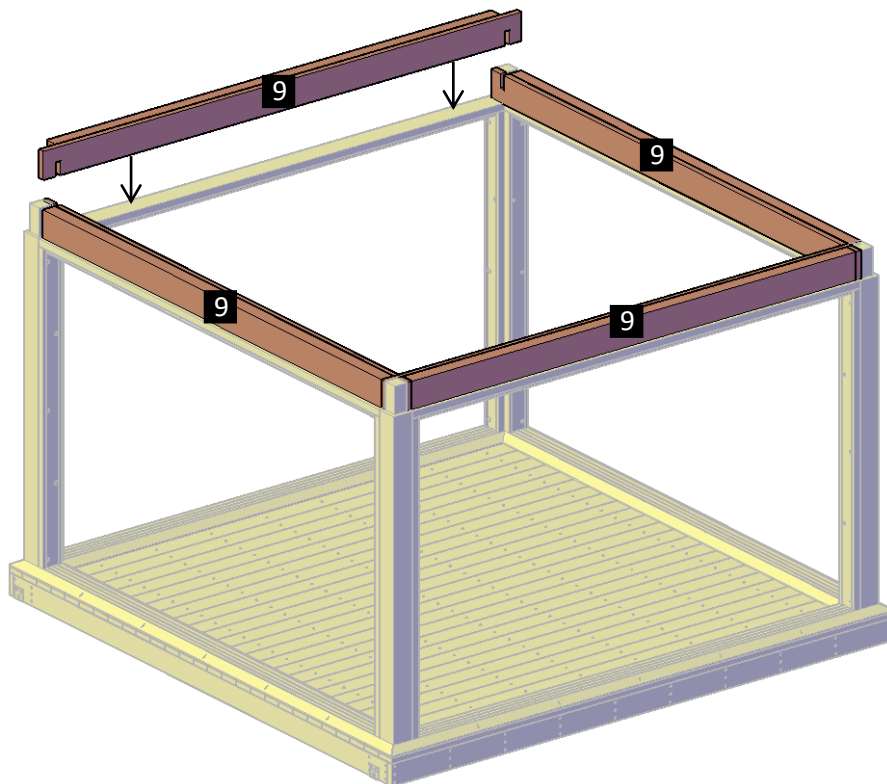
**Step 6:** Use 4" Deck Screws (E) to attach the wall frame with grooves (6) and the wall frames with metal rails (8) to the lateral wall frames (7). Each part has a series of numbers that indicate where to attach the part with the corresponding number.



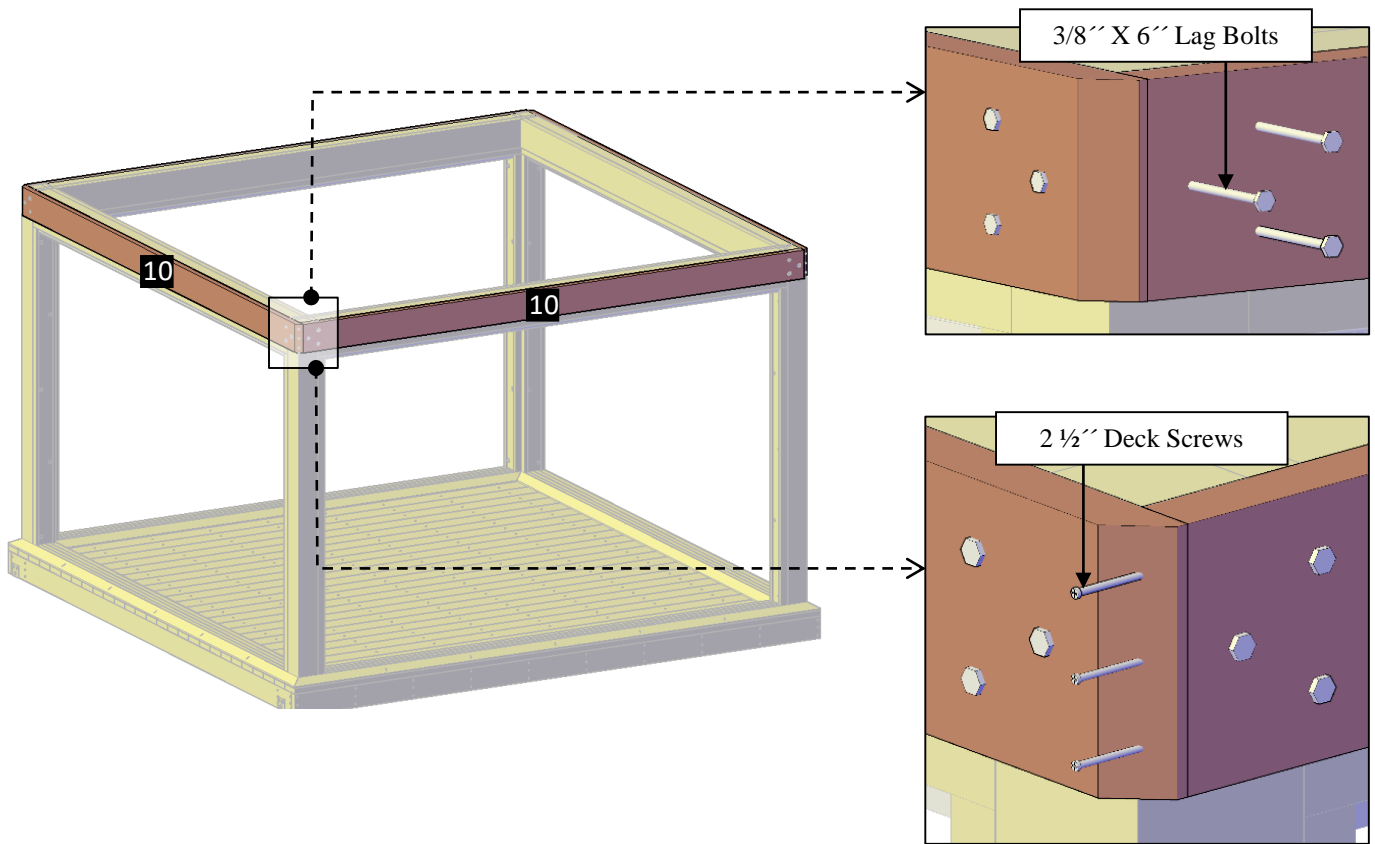
**Step 7:** Use 5/16" x 3" lag bolts (B) to attach the wall frames to the posts. Each part has a series of numbers that indicate where to attach the part with the corresponding number.



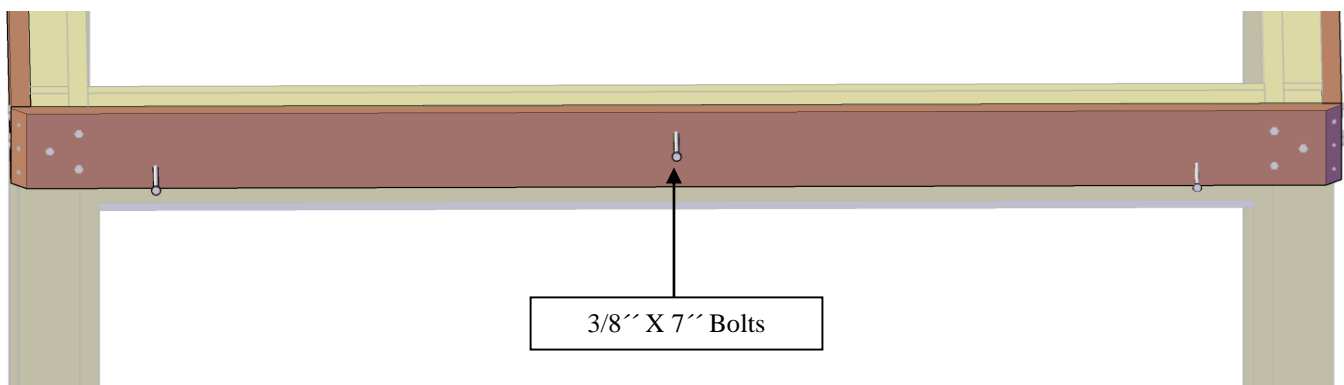
**Step 8:** Place the supports with in-between blocking (9), into the post notches as shown. Each part has a series of numbers that indicate where to attach the part with the corresponding number.



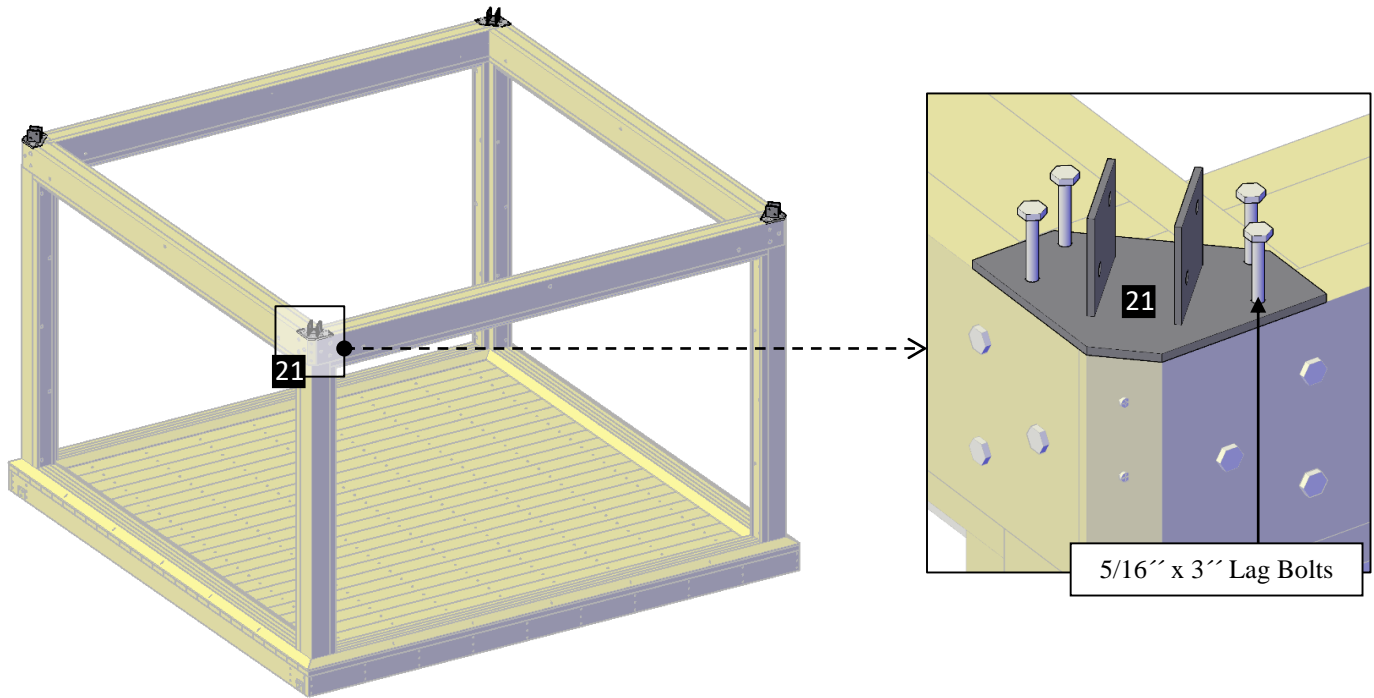
**Step 9:** Use 3/8" x 6" lag bolts (F) to attach the single supports (10) to the posts and to the supports with in between blocking. After that, attach the supports together with 2 1/2" deck screws (G). Each part has a series of numbers that indicate where to attach the part with the corresponding number.



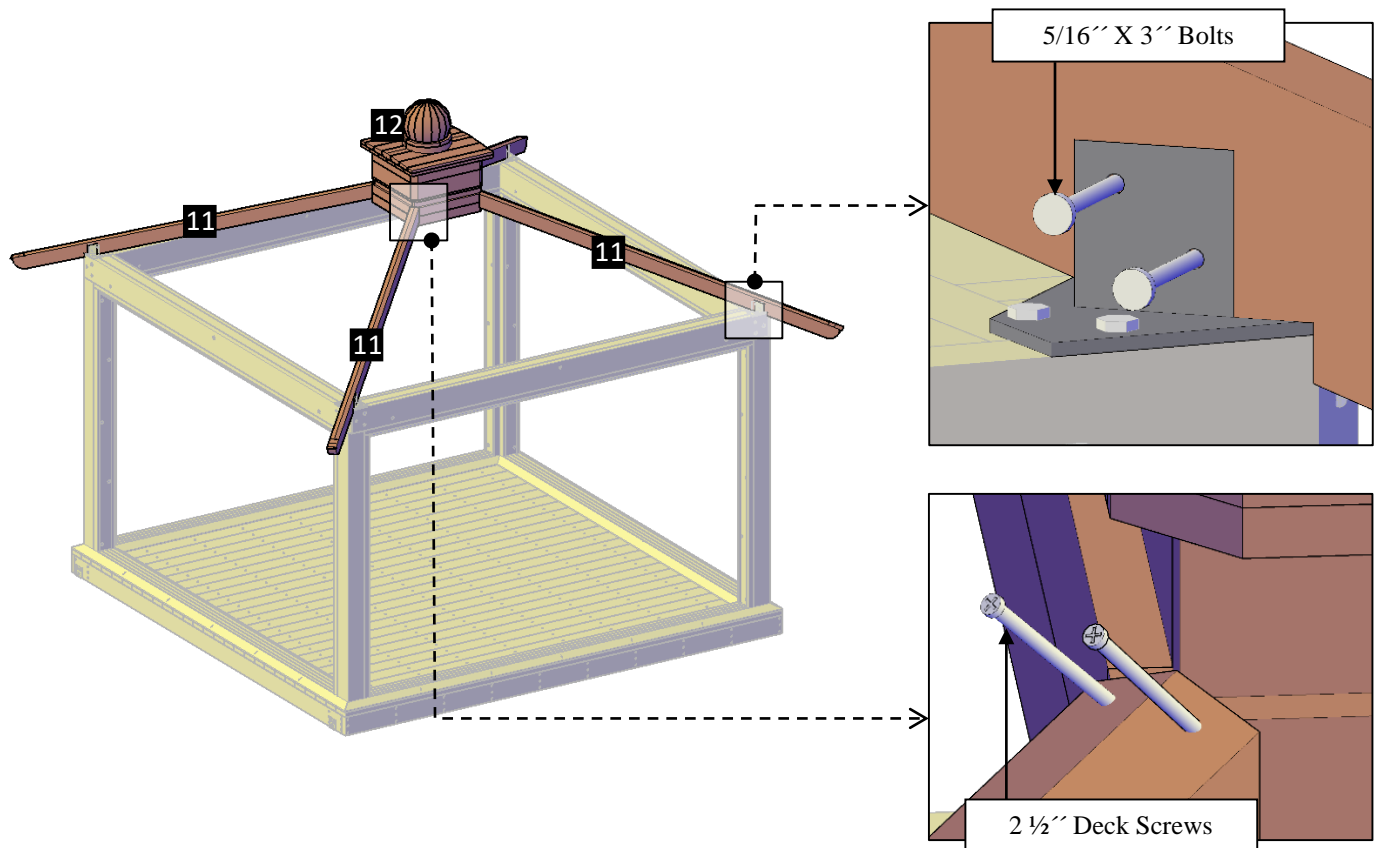
**Step 10:** Attach the single supports to the supports with in-between blocking, use 3/8" x 7" Bolts (H). Each part has a series of numbers that indicate where to attach the part with the corresponding number.



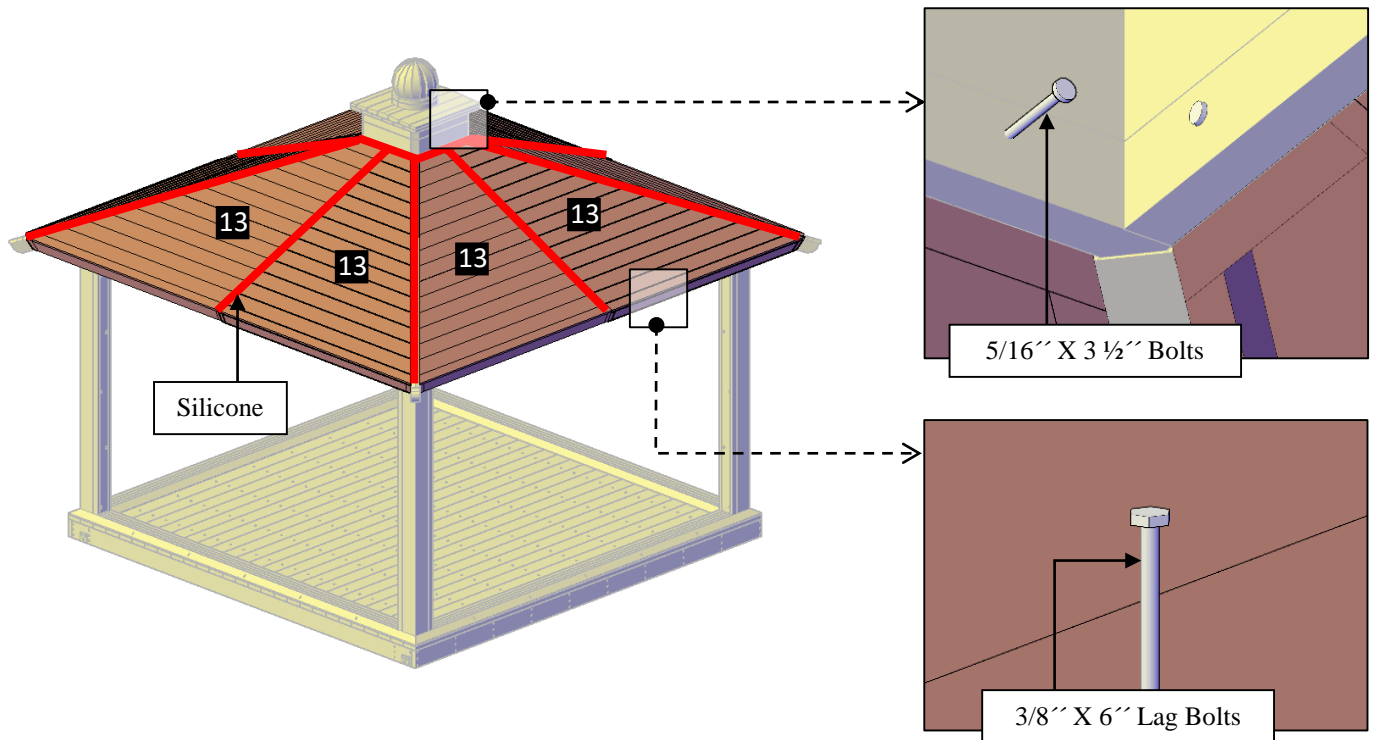
**Step 11:** Use 5/16" x 3" lag bolts (B) to attach the metal plaques (21) to the supports. Each part has a series of numbers that indicate where to attach the part with the corresponding number.



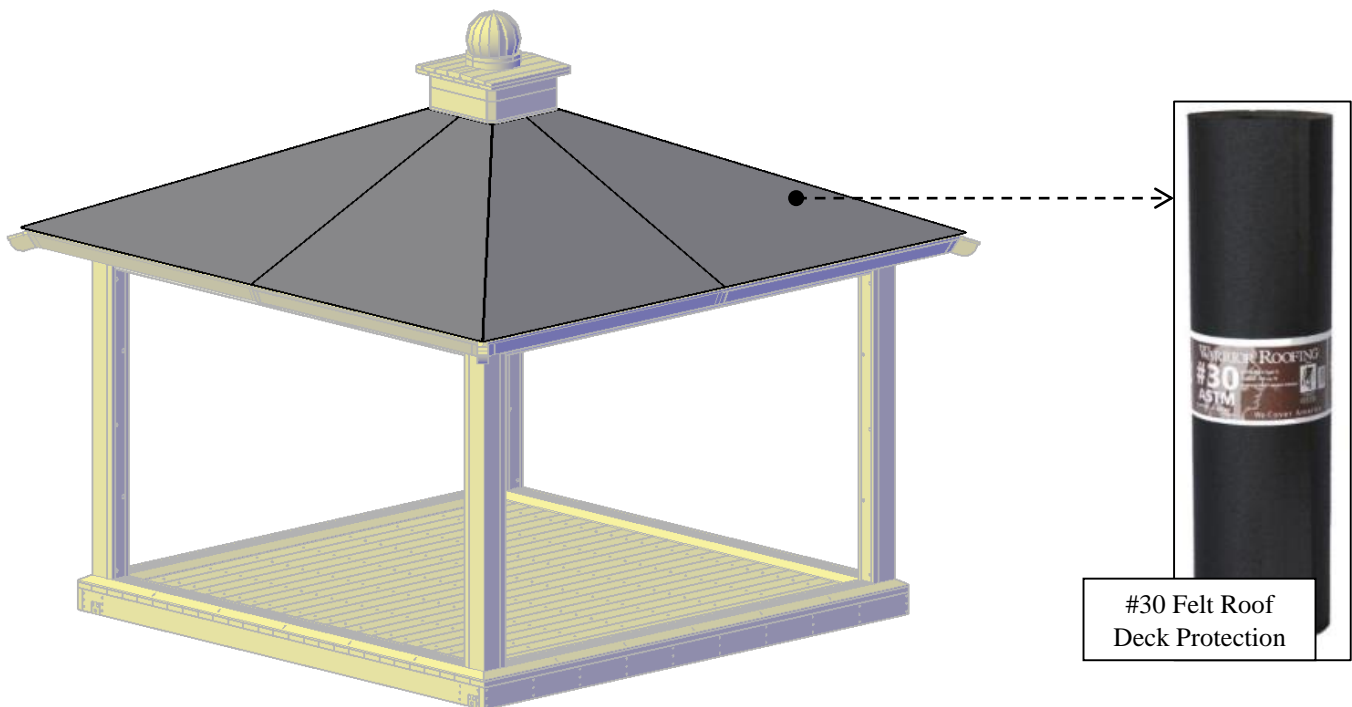
**Step 12:** Attach the diagonal rafters (11) to the metal plaques with 5/16" x 3" bolts (I) and to the roof frame (12) with 2 1/2" deck screws (G). Each part has a series of numbers that indicate where to attach the part with the corresponding number.



**Step 13:** Use 3/8" x 6" lag bolts (F) to attach the roof panels (13) to the supports. After that, attach to the roof frame with 5/16" x 3 1/2" bolts (J). Finally, put Exterior Clear Silicone on the perimeter of the roof frame and on the roof panels joints. Each part has a series of numbers that indicate where to attach the part with the corresponding number.

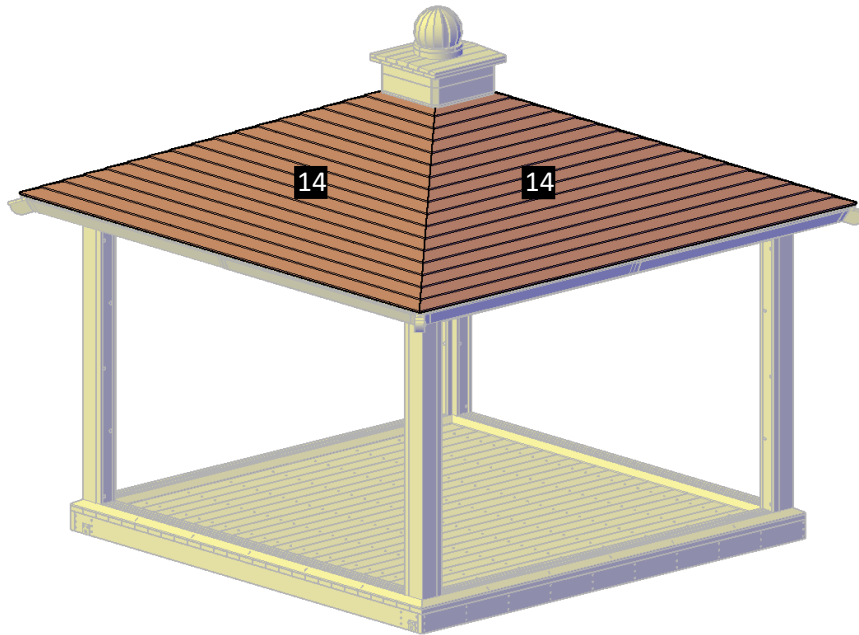


**Step 14:** First, measure the roof panels. After that, cut the #30 Felt Roof Deck Protection to those measures. Use staples to attach the #30 Felt Roof Deck Protection to the roof panels.



### Option C. With Roof Boards

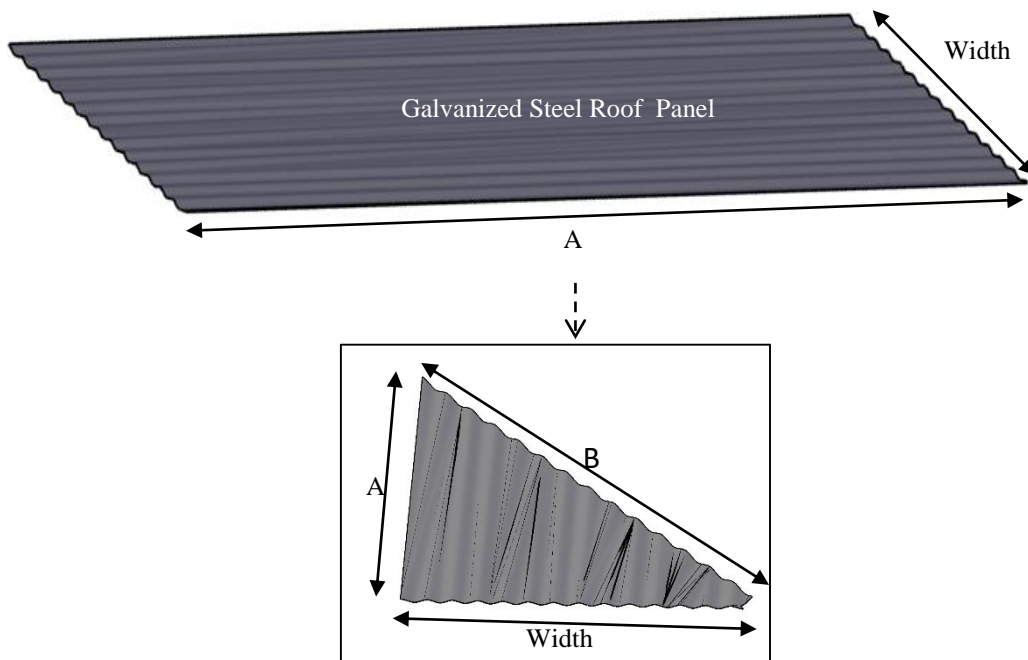
**Step 15:** Use 1 5/8" deck screws (**K**) to attach the roof boards (**14**) to the roof panels. Put the boards from the bottom to the top, the overlapping between these boards it will be of 3/4". Each part has a series of numbers that indicate where to attach the part with the corresponding number.



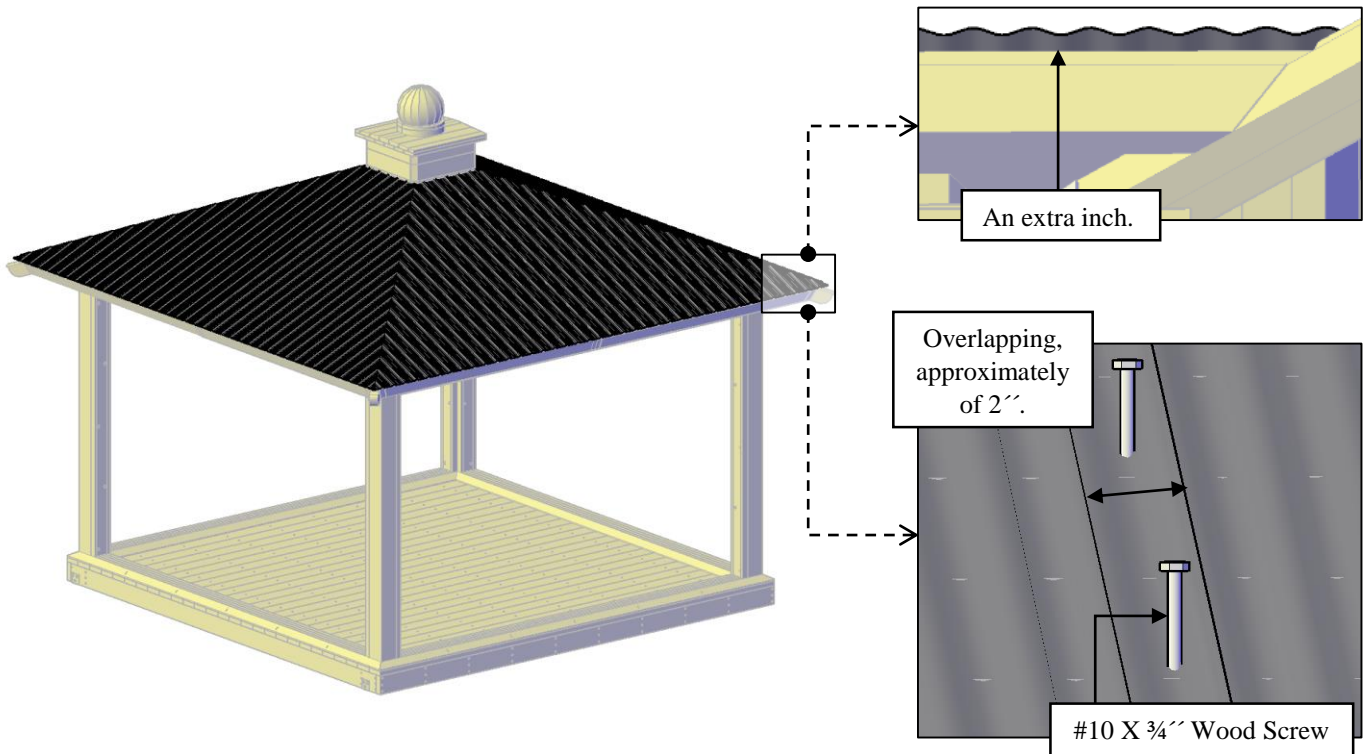
*Note: Go to step 20.*

### Option D: With Steel Roof Panels

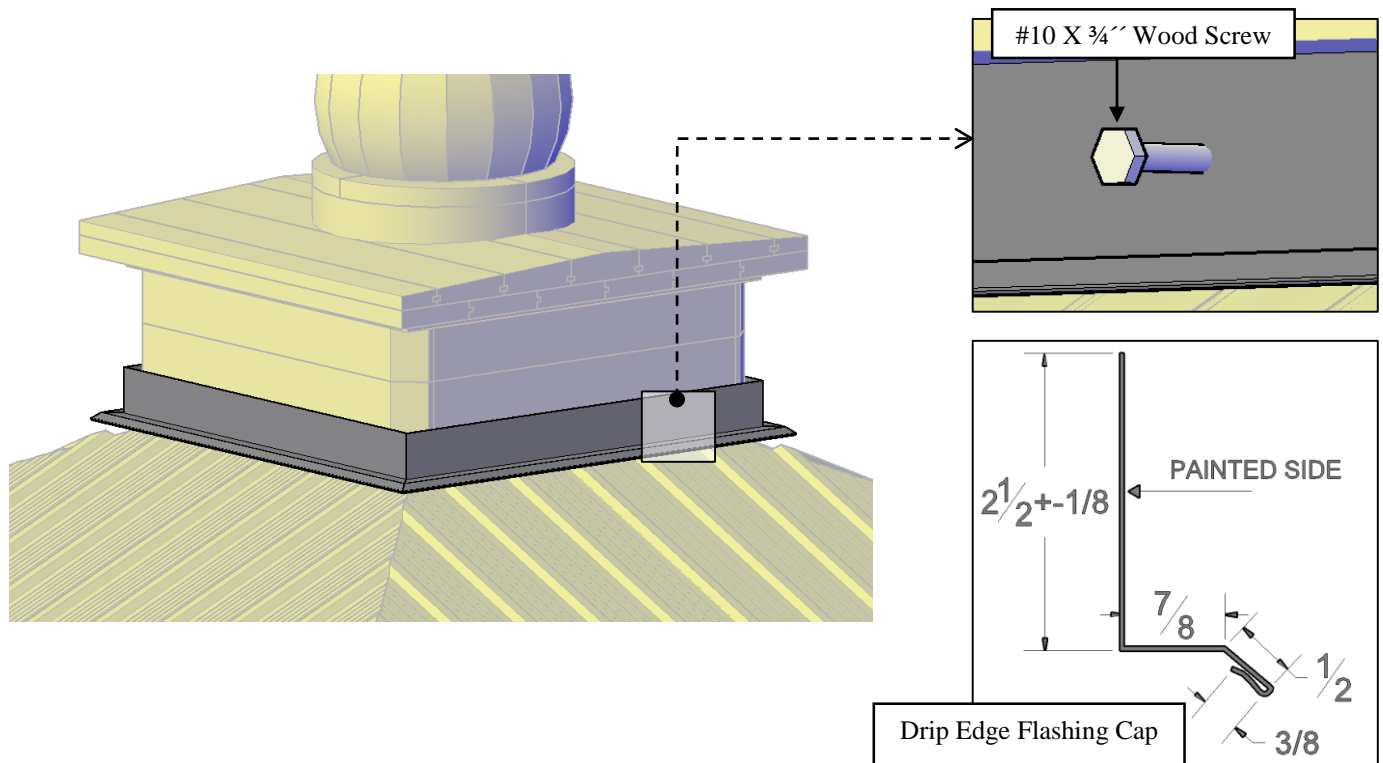
**Step 16:** Measures the roof panels, start at the corner. After that, cut the galvanized steel roof panels to the above measurements, leaving an extra inch along of the galvanized steel roof panel.



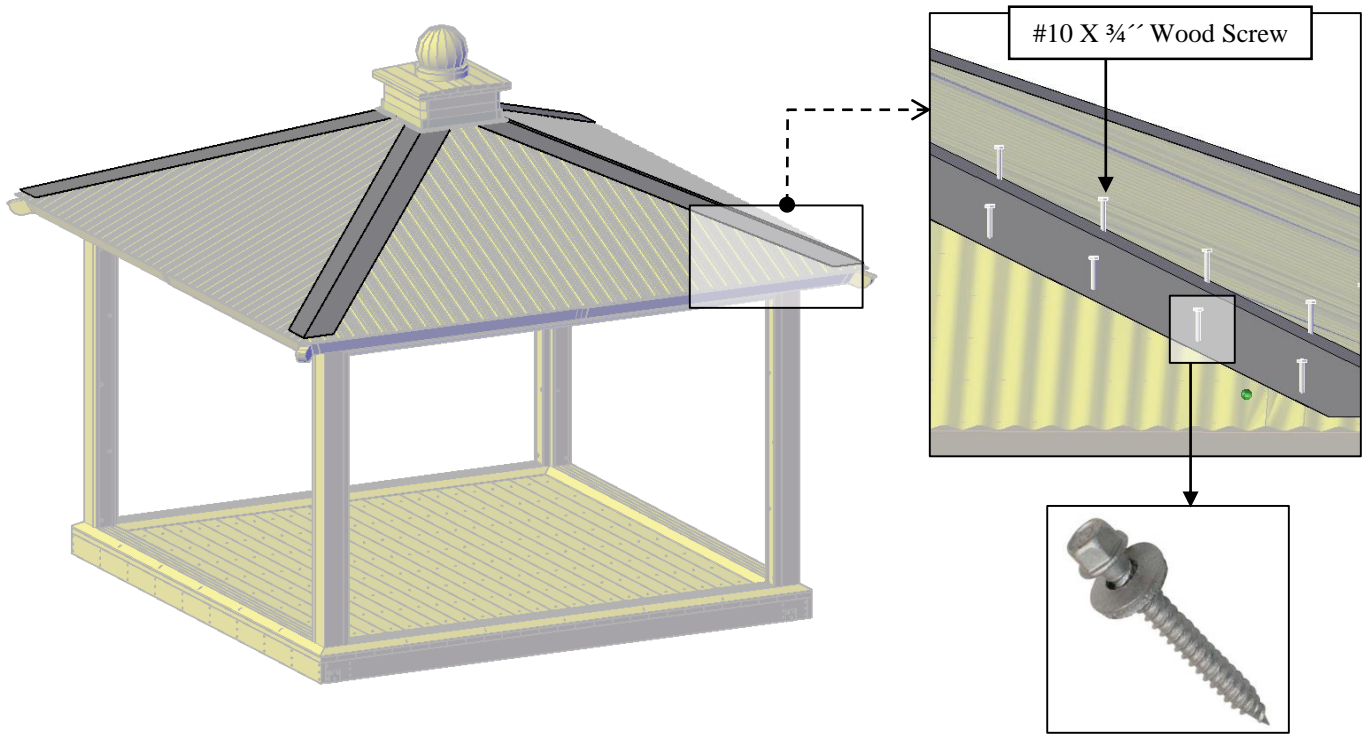
**Step 17:** Use #10 X 3/4" Wood Screw, hex head with Neoprene Washer to attach the steel roof panels to the roof panels. The overlapping between these steel roof panels it will be approximately of 2".



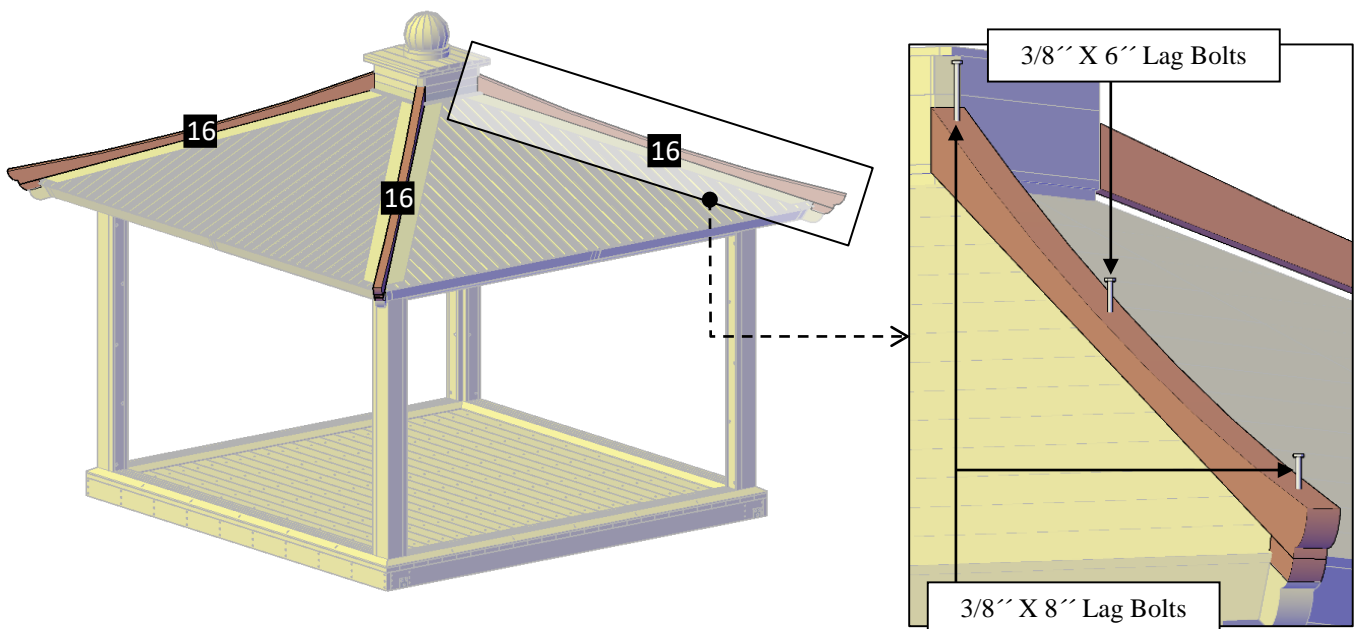
**Step 18:** Use #10 X 3/4" Wood Screw, hex head with Neoprene Washer to attach the Drip Edge Flashing Cap to the roof frame. After that, put exterior clear silicone on the top of the Drip Edge Flashing Cap.



**Step 19:** Use #10 X 3/4" Wood Screw, hex head with Neoprene Washer to attach the Ridge Cap to the roof panels.

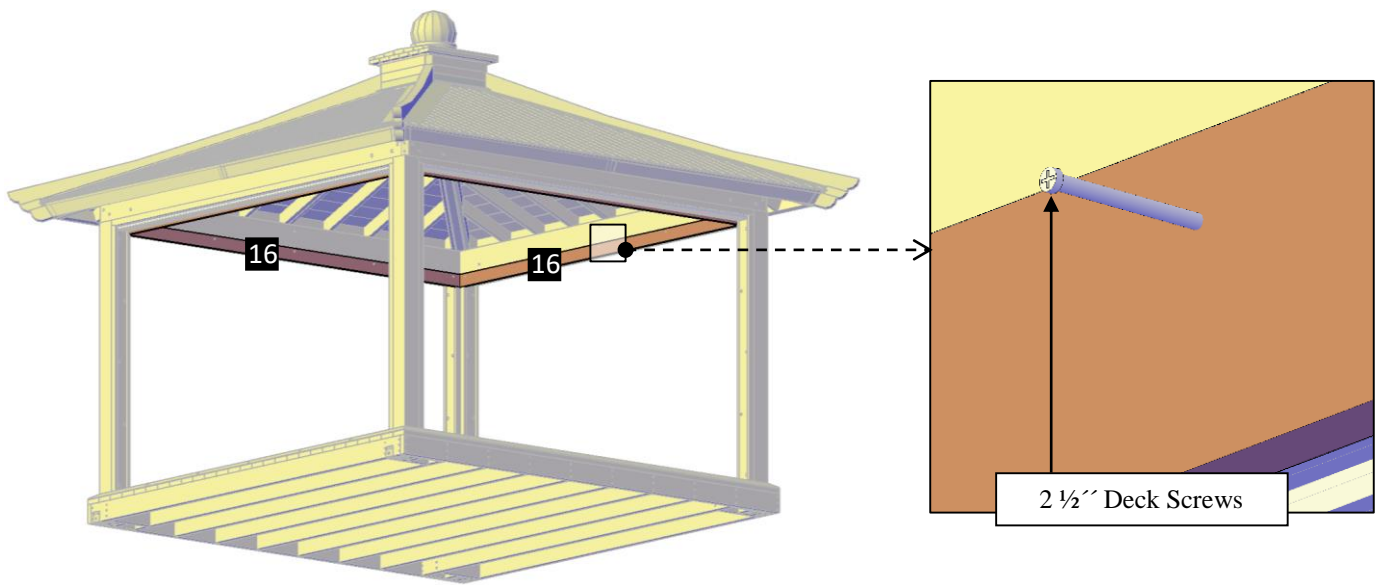


**Step 20:** Attach the roof trims (16) to the roof panels with 3/8" x 8" lag bolts (L) and 3/8" x 6" lag bolts (F), as shown below. Each part has a series of numbers that indicate where to attach the part with the corresponding number.

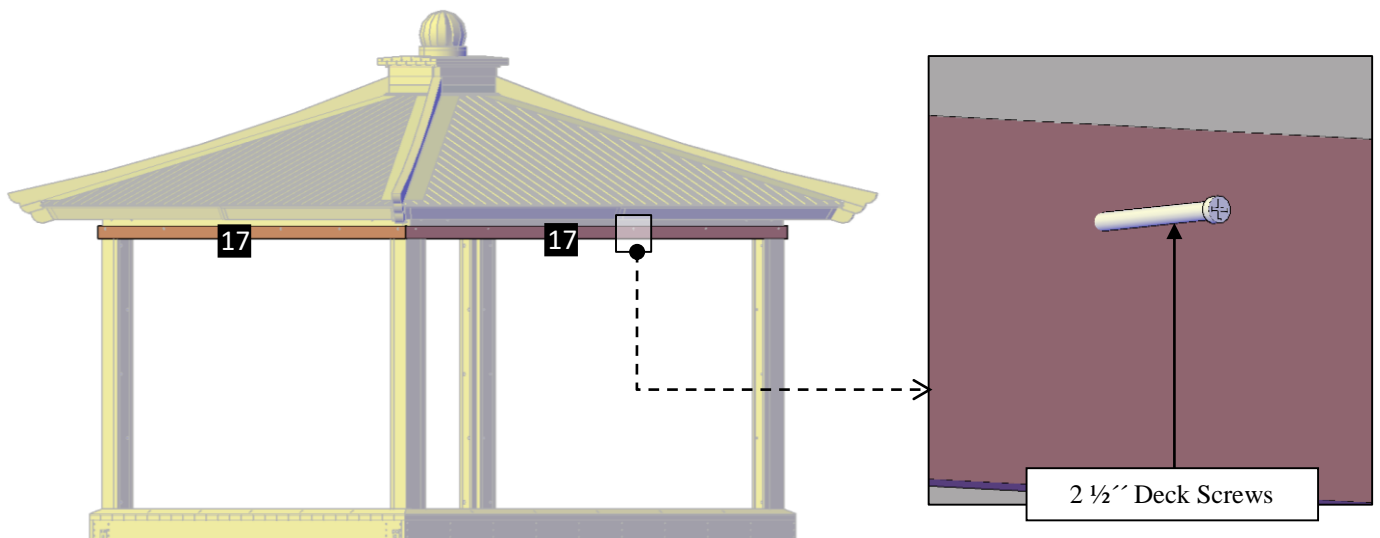




**Step 21:** Use 2 ½" deck screws (G) to attach the interior trims (16) to the wall frames. Each part has a series of numbers that indicate where to attach the part with the corresponding number.

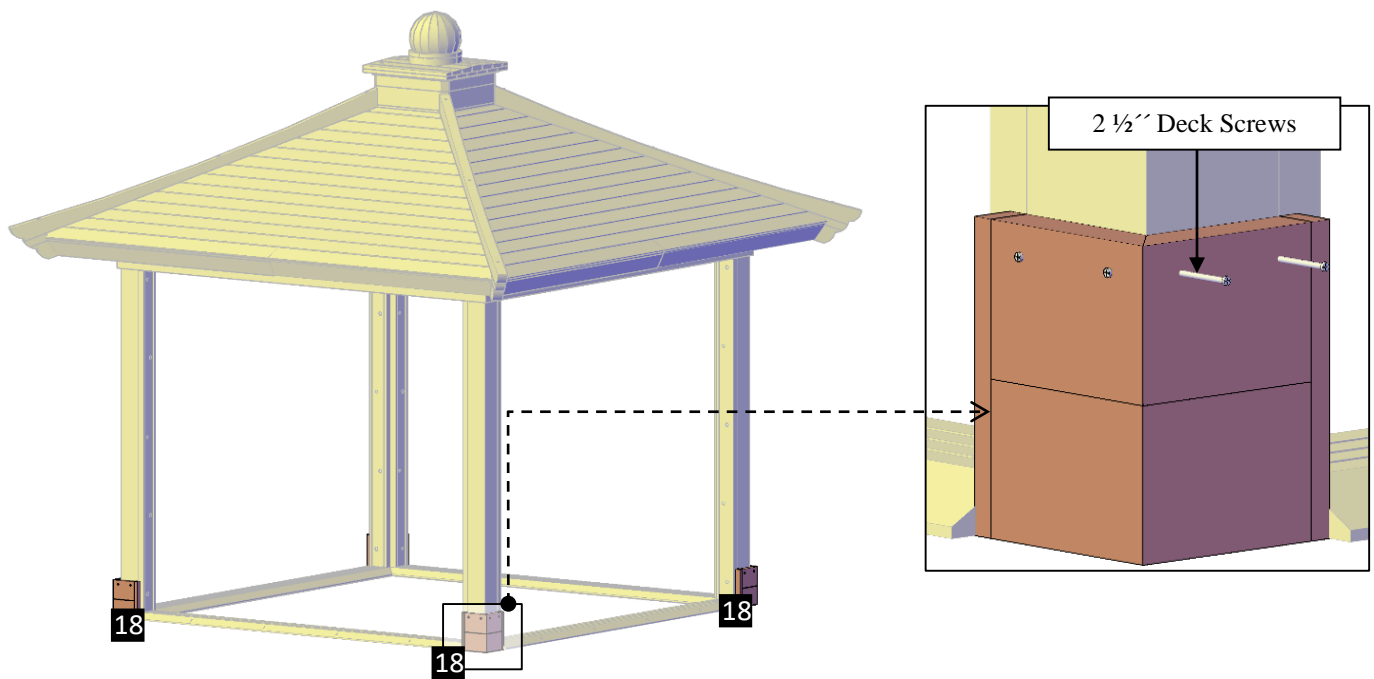


**Step 22:** Use 2 ½" deck screws (G) to attach the exterior trims (17) to the wall frames. Each part has a series of numbers that indicate where to attach the part with the corresponding number

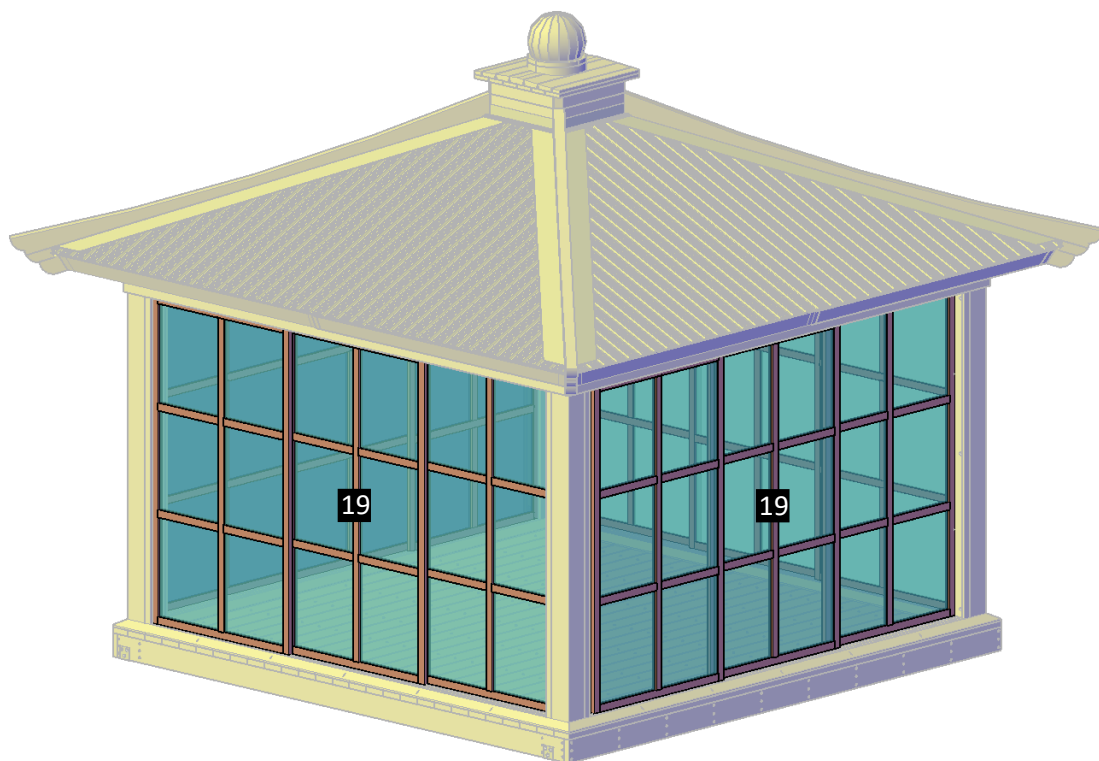


*Note: If your Kikue's Tea House don't include boots, go to step 24.*

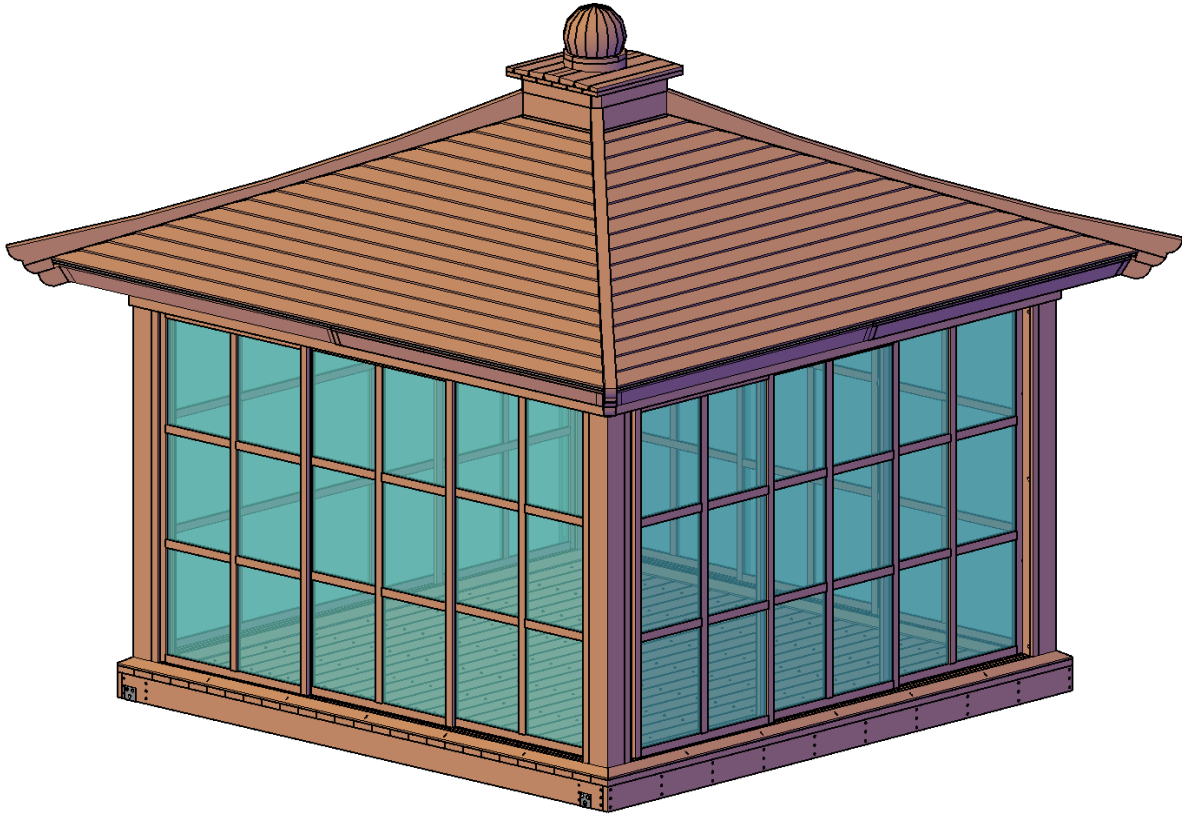
**Step 23:** Attach the boots (18) to each posts with 2 ½" deck screws (G). Each part has a series of numbers that indicate where to attach the part with the corresponding number



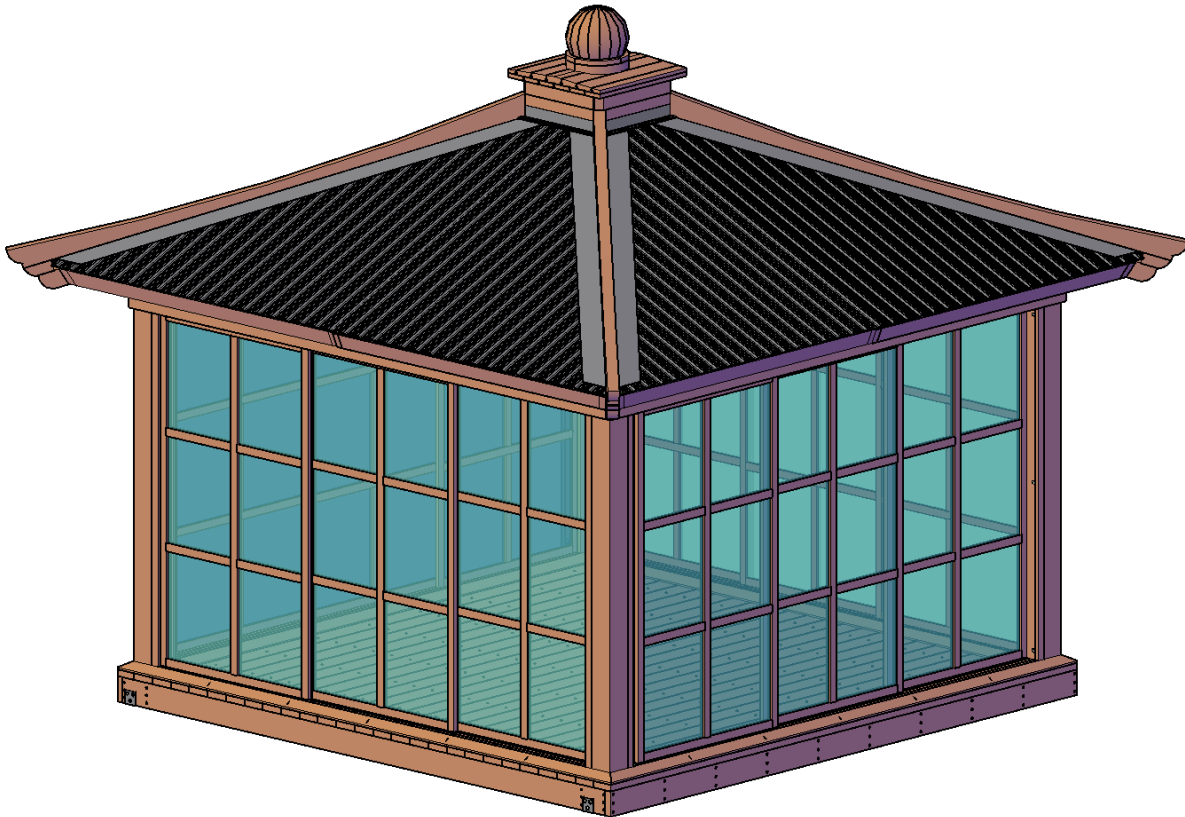
**Step 24:** Finally, place the window wall panels (19) in their place. Each part has a series of numbers that indicate where to attach the part with the corresponding number.



**Kikue's Tea House with Roof Boards**



**Kikue's Tea House with Steel Roof Panels**





*This completes the Kikue's Tea House assembly. Hope you enjoy your set for many decades. If you ever have a problem or a question, don't hesitate to call us (866 332 2403) or email us. We are here to support you.*