



FOREVER REDWOOD

From the Forest, For the Forest since 1995

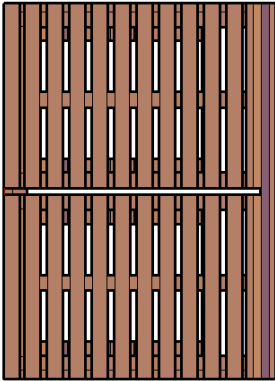
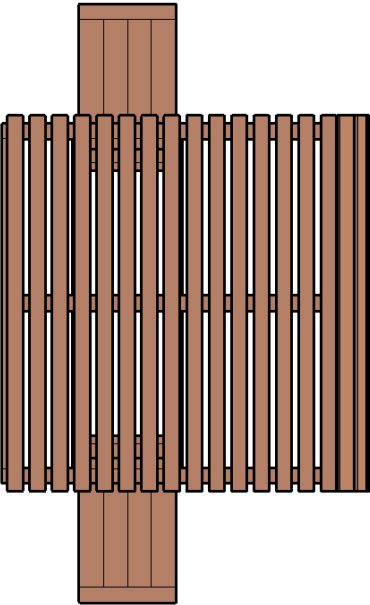



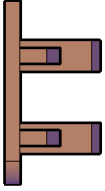
866.332.2403 (TOLL FREE); 7am – 7pm Pacific Time, Monday-Saturday

ASSEMBLY INSTRUCTIONS FOR **LA GRANGE REDWOOD LOUNGER** (DOUBLE)





CONTENT OF BOXES

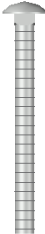
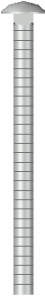
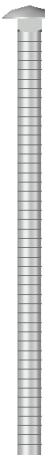
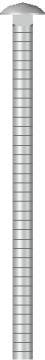
Qty.	Description	Drawing	No.
1	Backrest		1
1	Seat		2
2	Trim		3
4	Legs-A		4
2	Legs-B		5
2	Armrest		6

Note: Part numbers in the Content of Boxes Table are for reference only. These do not match to the numbers marked on the parts sent.





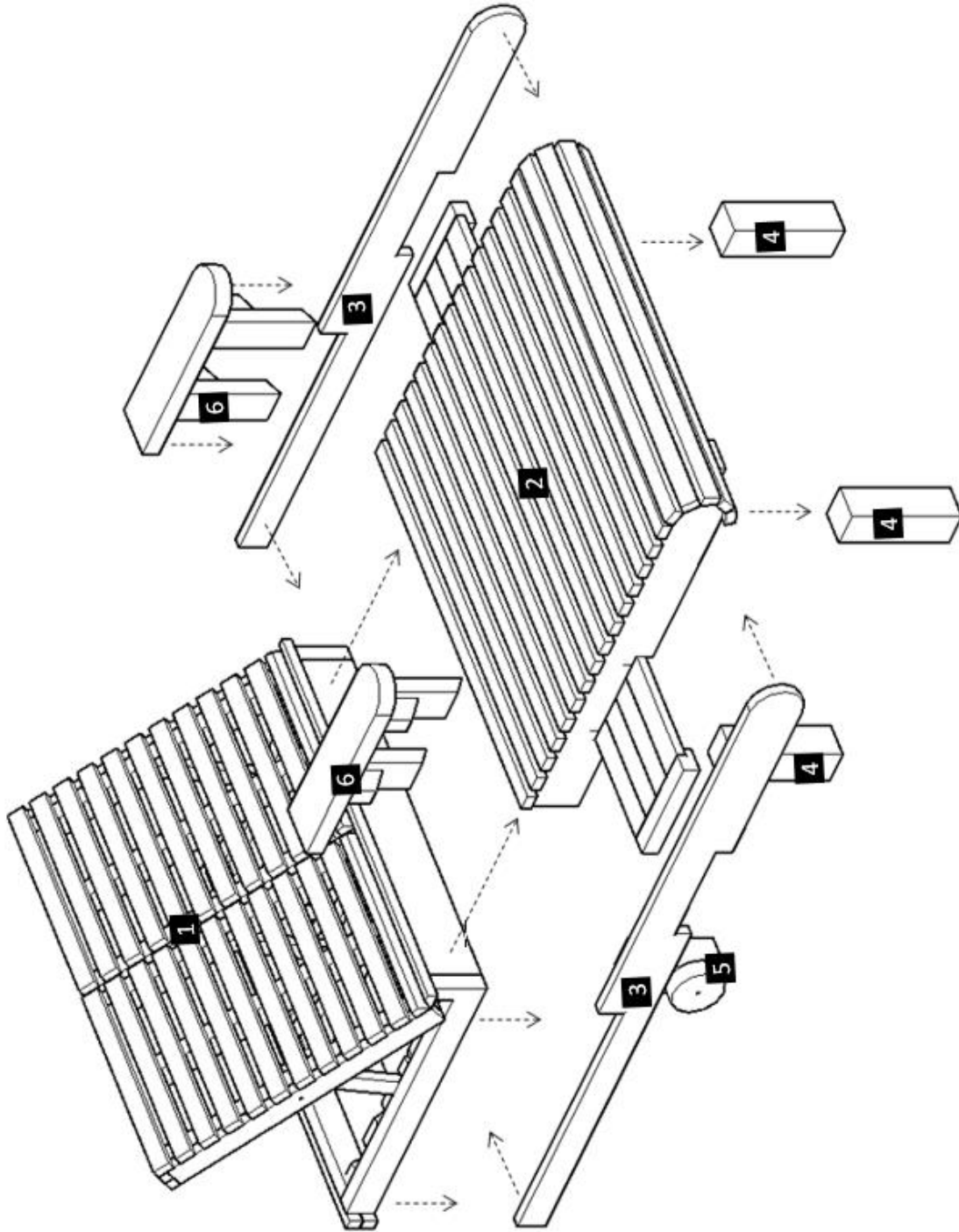
CONTENT OF BOXES

Description	Drawing	No.
5/16'' X 3 1/2'' Bolts (To attach the backrest to the seat).		A
5/16'' X 4 1/2'' Bolts (To attach the trims to the seat and to the backrest).		B
3/8'' X 7'' Bolts (To attach the trims and the legs to the seat and to the backrest).		C
5/16'' X 5 1/2'' Bolts (To attach the arms to the seat).		D

Note: Dimensions of your hardware will vary depending on size.

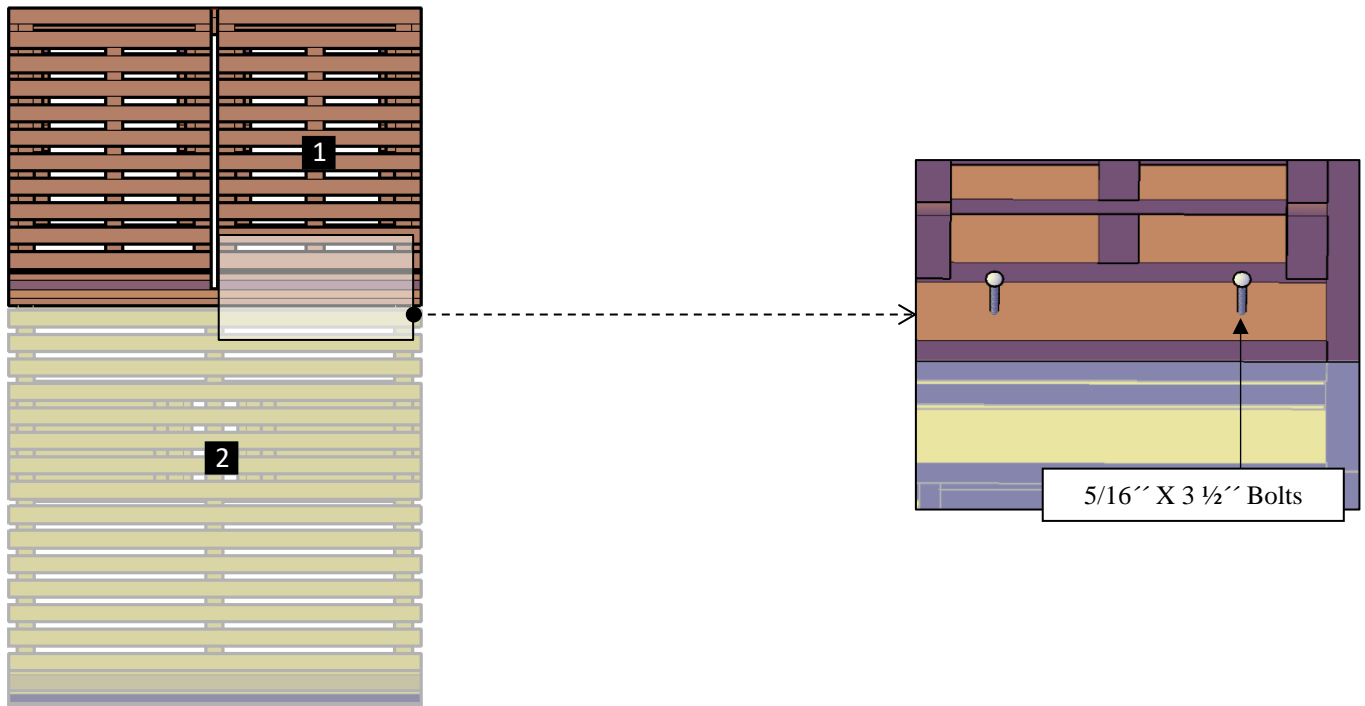


DESCRIPTION	No
Backrest	1
Seat	2
Tram	3
Legs-A	4
Legs-B	5
Arms	6

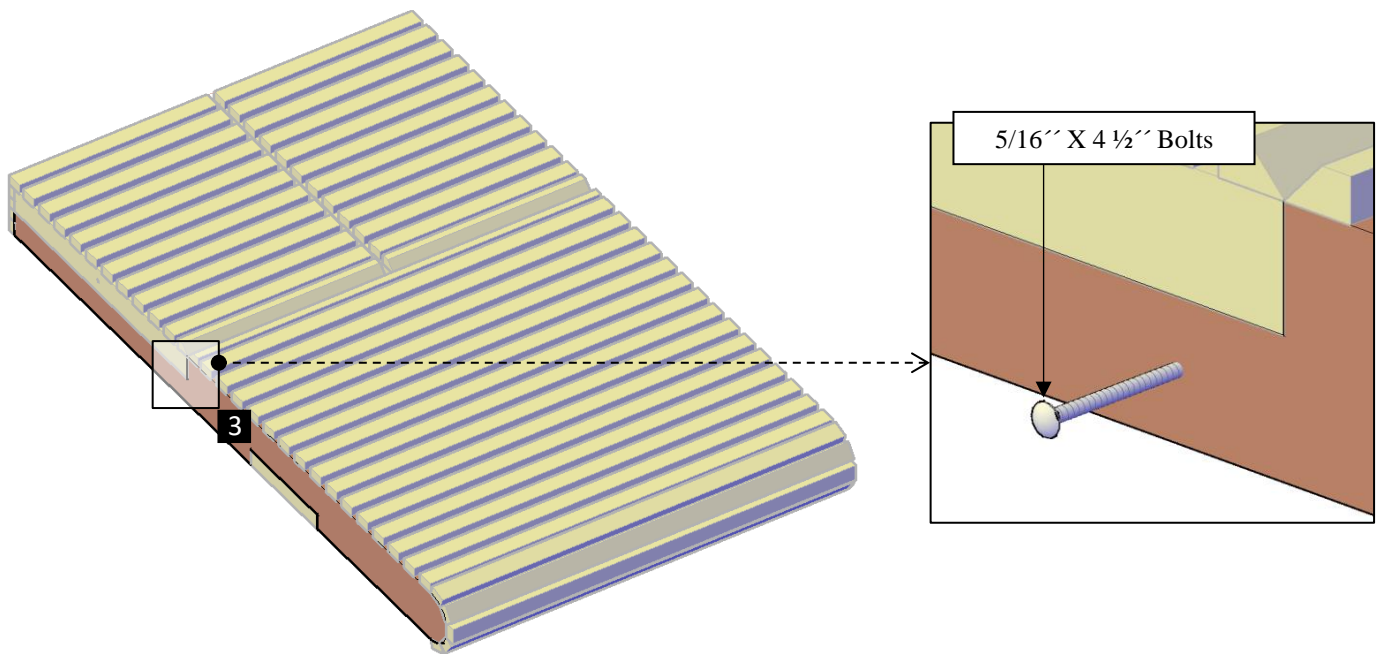


Note: Part numbers in the Drawing are for reference only. These do not match to the numbers marked on the parts sent.

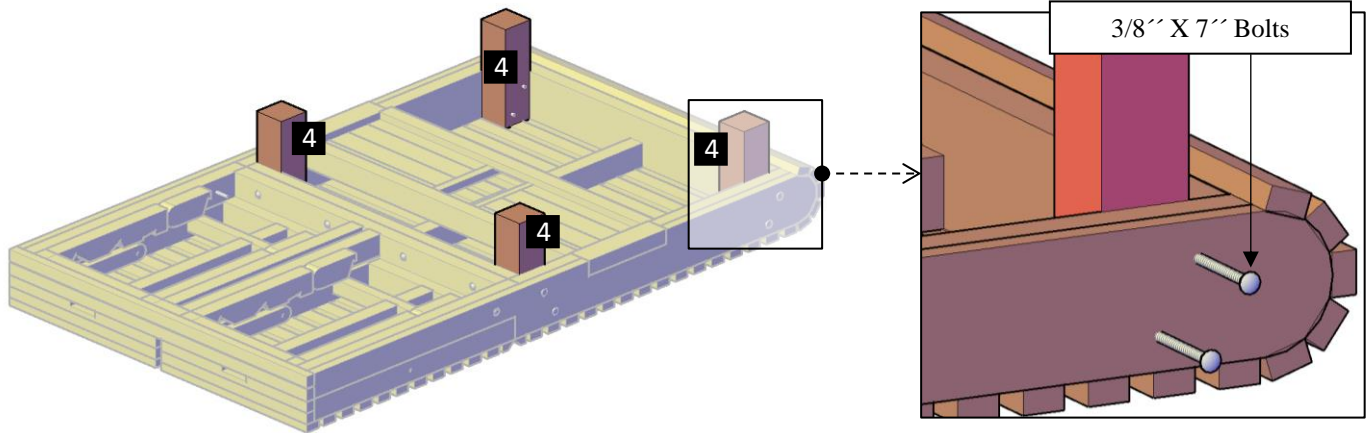
Step 1: Use 5/16" x 3 1/2" bolts (A) to attach the Backrest (1) to the Seat (2). Each part has a series of numbers that indicate where to attach the part with the corresponding number.



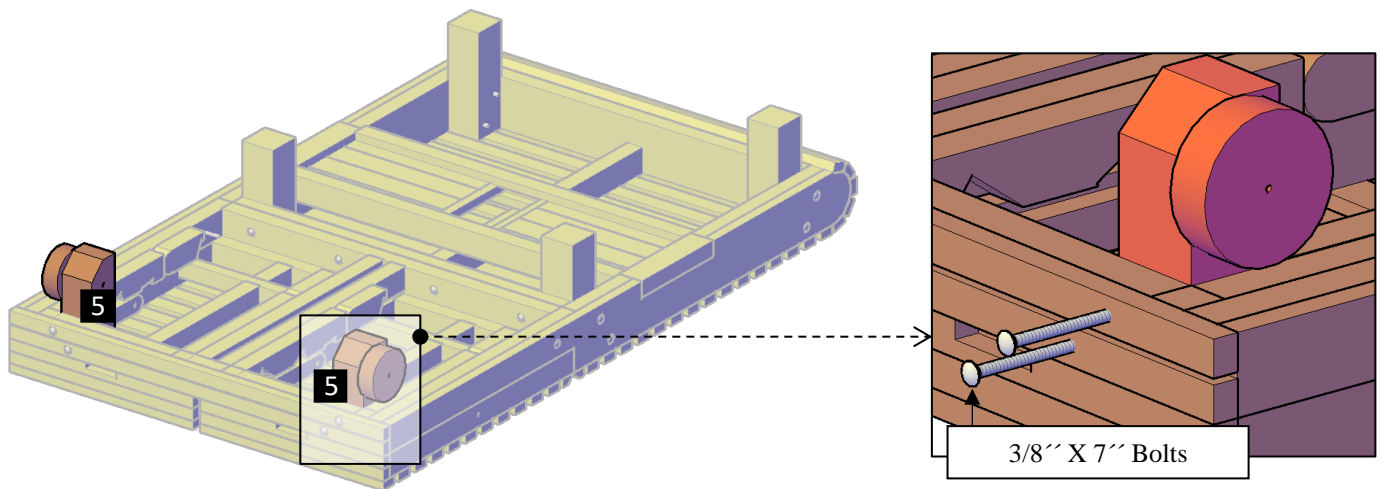
Step 2: Attach the trims (3) to the backrest with 5/16" x 4 1/2" Bolts (B). Each part has a series of numbers that indicate where to attach the part with the corresponding number.



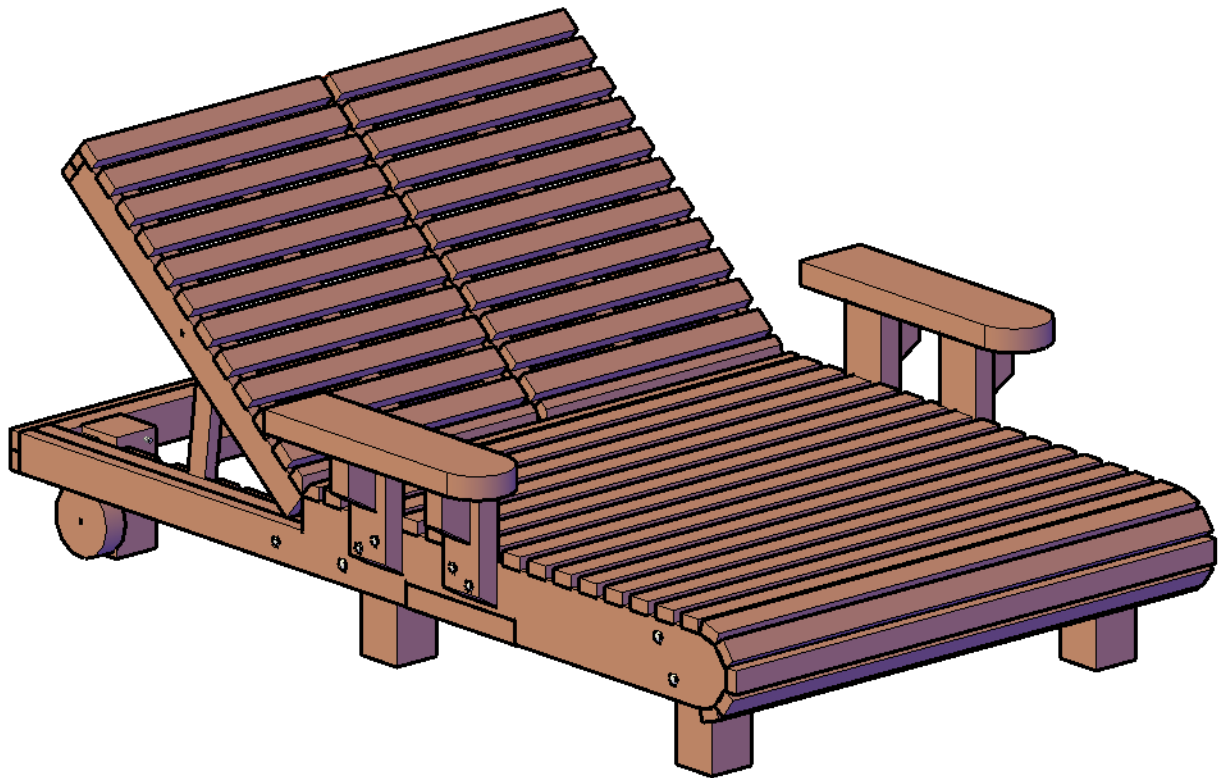
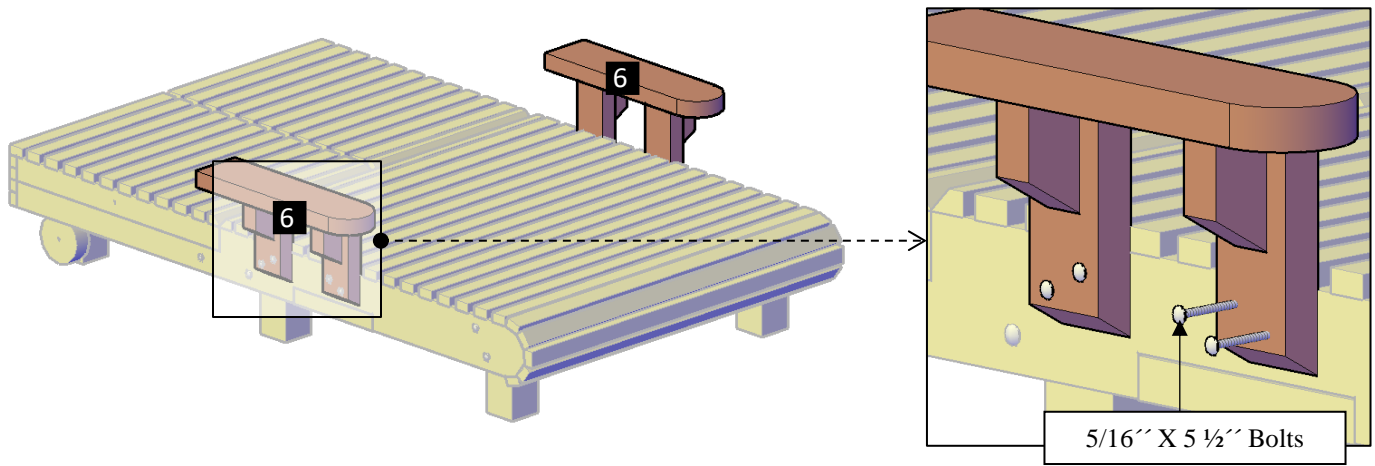
Step 3: Turn the Lounger upside down. After that attach Legs-A (4) to the Seat with 3/8" x 7" bolts (C). Each part has a series of numbers that indicate where to attach the part with the corresponding number.



Step 4: Use 3/8" x 7" bolts (C) to attach Legs-B (5) to the Backrest. Each part has a series of numbers that indicate where to attach the part with the corresponding number.



Step 5: Finally, turn the lounger over is feet. After that, use 5/16" x 5 1/2" bolts (D) to attach the Armrests (6) to the Seat. Each part has a series of numbers that indicate where to attach the part with the corresponding number.





This completes the Lounger assembly. Hope you enjoy your set for many decades. If you ever have a problem or a question, don't hesitate to call us (866 332 2403) or email us. We are here to support you.