



# FOREVER REDWOOD

*From the Forest, For the Forest since 1995*

---

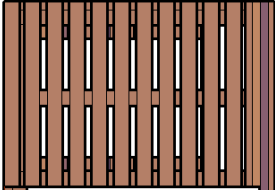
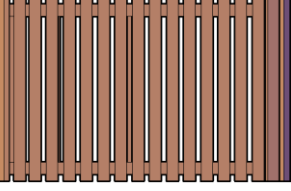


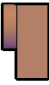
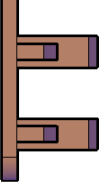
866.332.2403 (TOLL FREE); 7am – 7pm Pacific Time, Monday-Saturday

## ASSEMBLY INSTRUCTIONS FOR THE **LA GRANGE REDWOOD LOUNGER** SINGLE





**CONTENT OF BOXES**





Qty.	Description	Drawing	No.
1	Backrest		1
1	Seat		2
2	Trim		3
4	Legs-A		4
2	Legs-B		5
2	Armrest		6

*Note: Part numbers in the Content of Boxes Table are for reference only. These do not match to the numbers marked on the parts sent.*





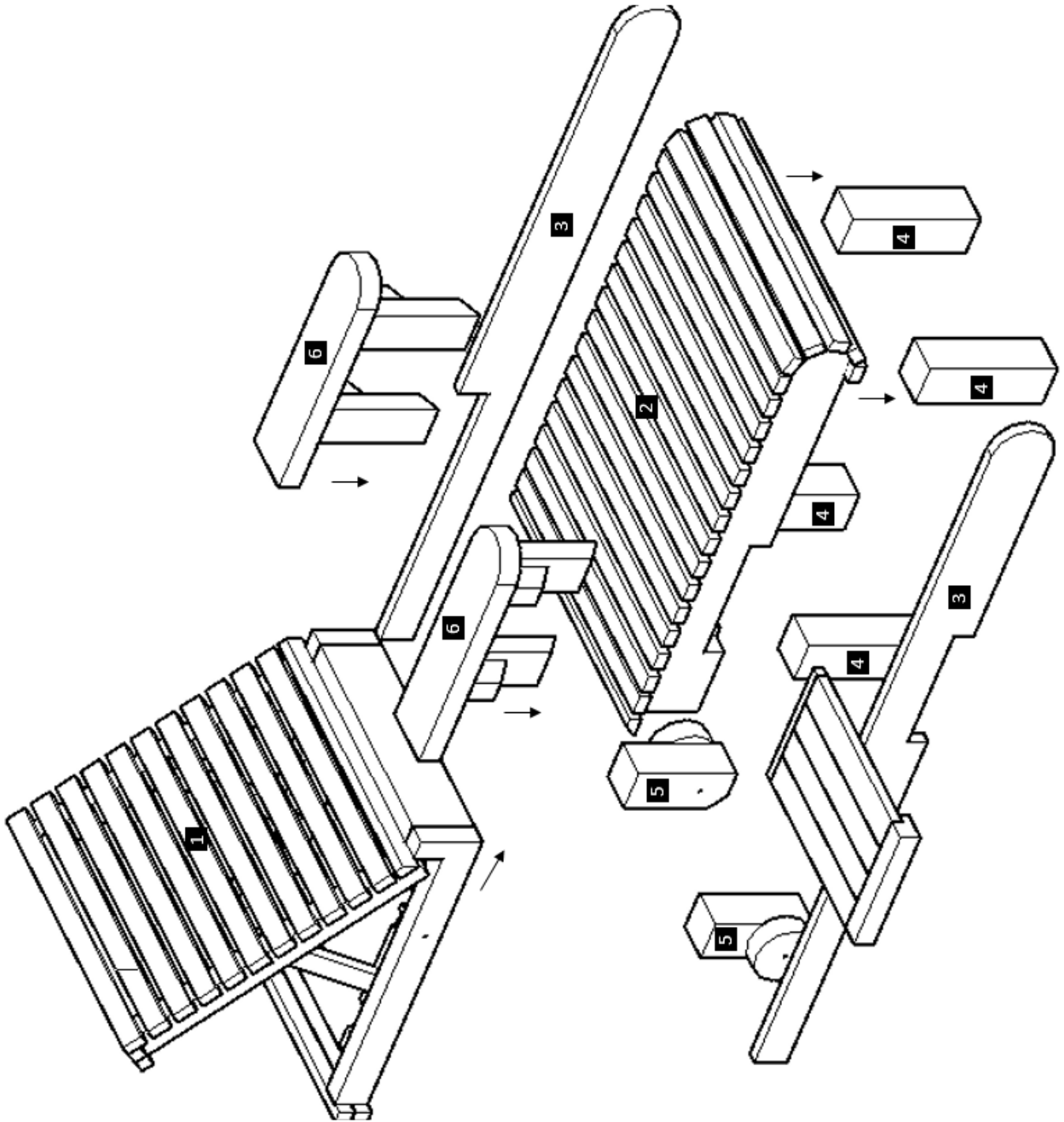
**CONTENT OF BOXES**

Description	Drawing	No.
5/16'' X 3 1/2'' Bolts (To attach the backrest to the seat).		A
5/16'' X 4 1/2'' Bolts (To attach the trims to the seat and to the backrest. / To attach the arms to the seat).		B
5/16'' X 2 1/2'' Bolts (To attach the trims to the seat and to the backrest).		C
3/8'' X 6 1/2'' Bolts (o attach the trims and the legs to the seat and to the backrest).		D

*Note: Dimensions of your hardware will vary depending on size.*

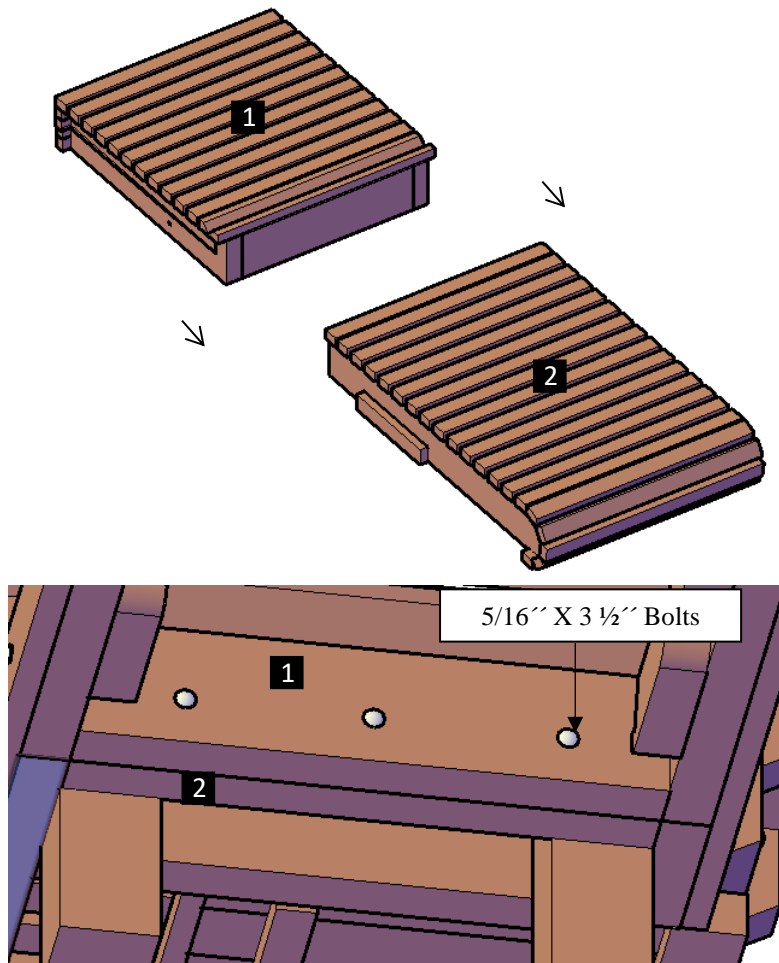


DESCRIPTION	No
Backrest	1
Seat	2
Tram	3
Legs-A	4
Legs-B	5
Arms	6

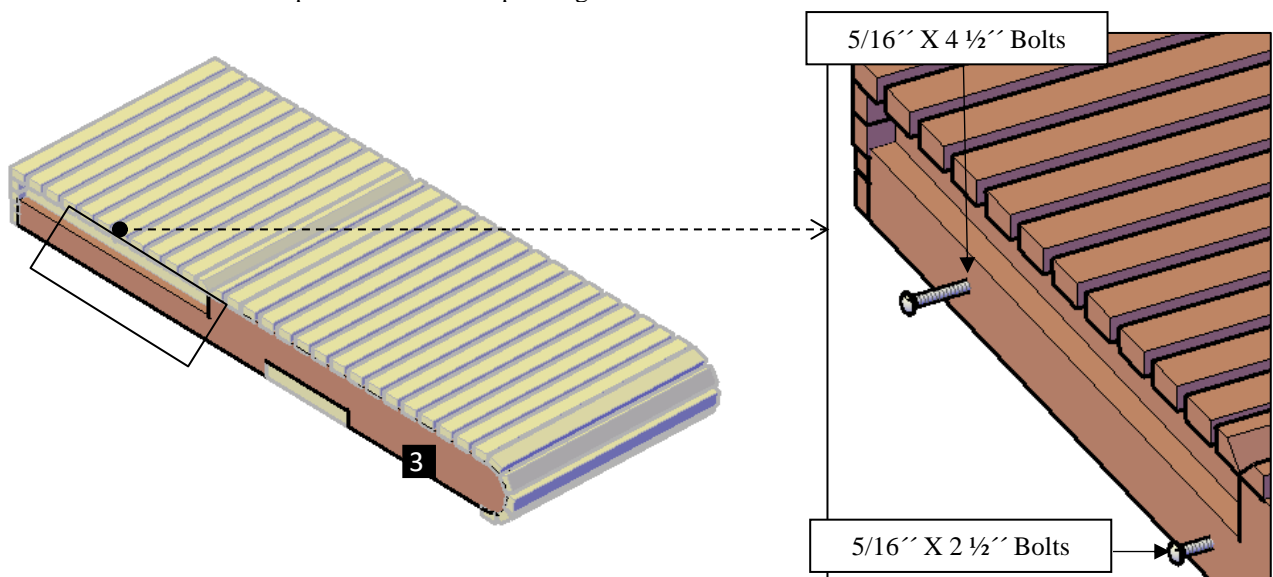


*Note: Part numbers in the Drawing are for reference only. These do not match to the numbers marked on the parts sent.*

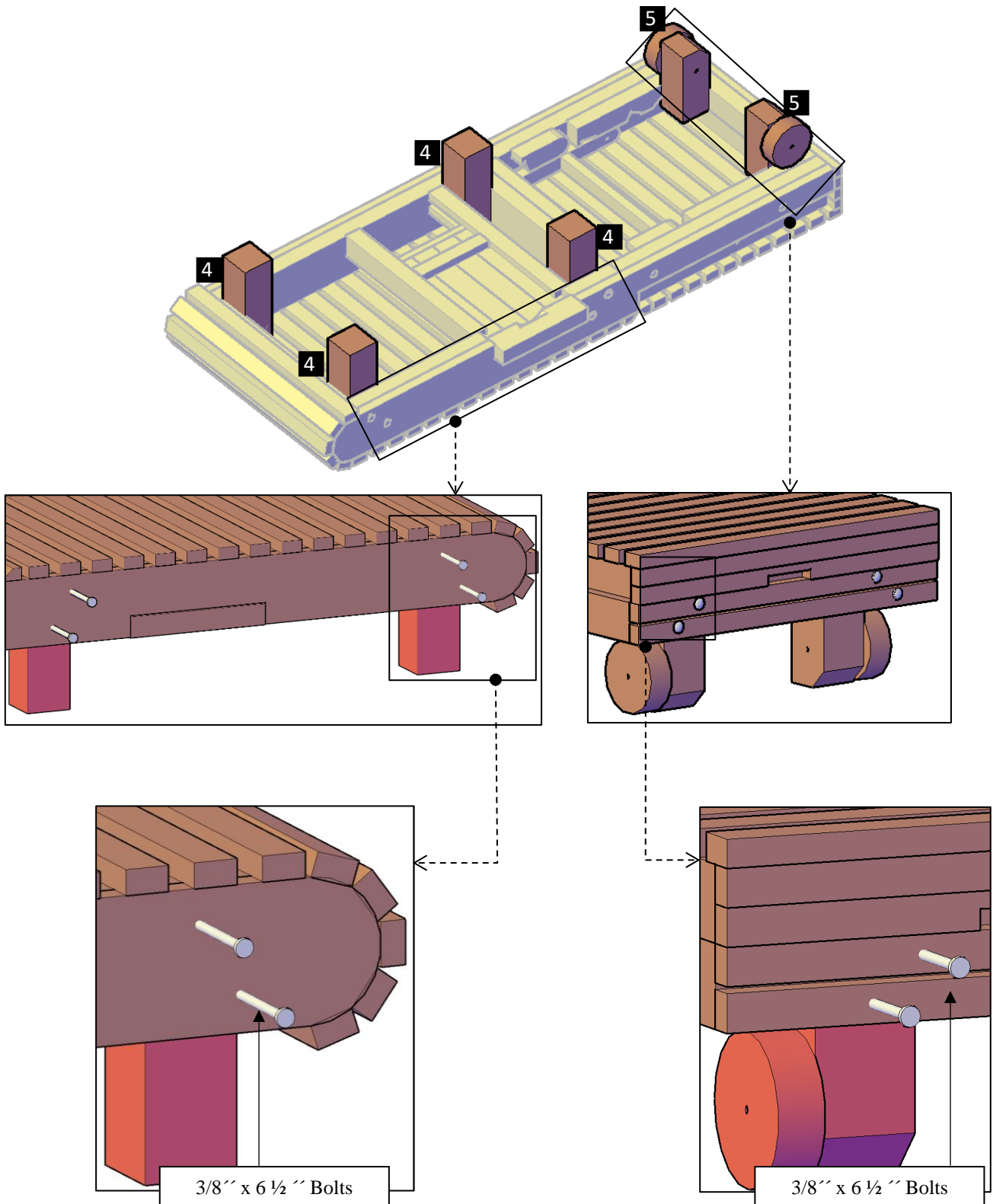
**Step 1:** Use 5/16" x 3 1/2" bolts (A) to attach the Backrest (1) to the Seat (2). Each part has a series of numbers that indicate where to attach the part with the corresponding number.



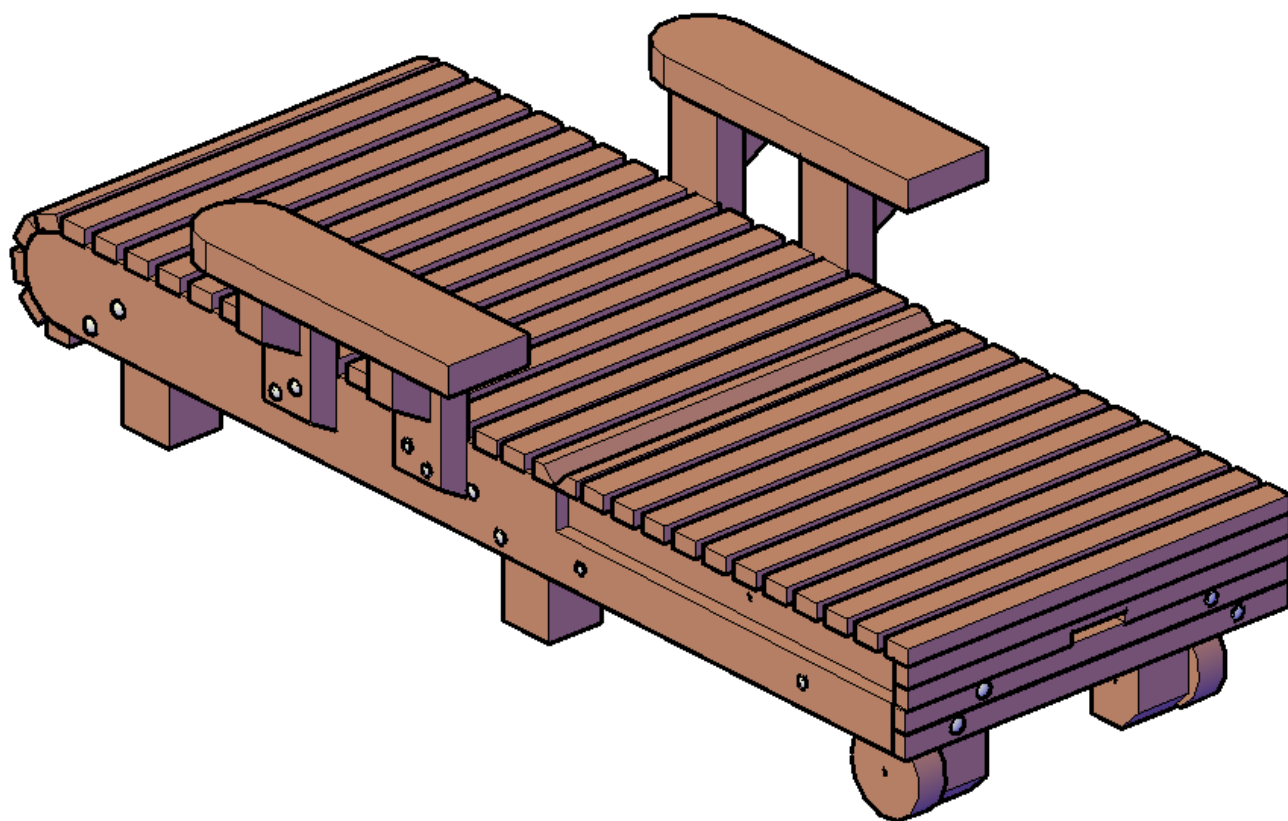
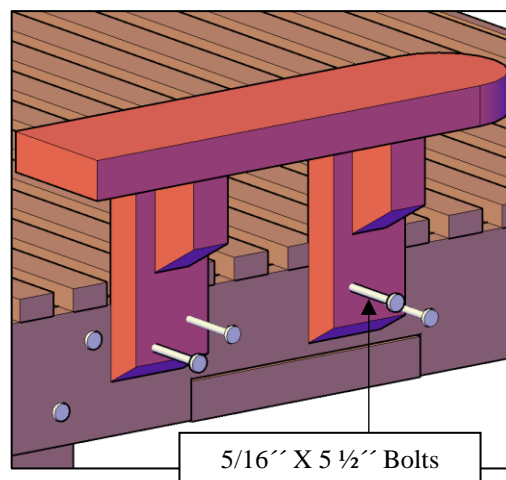
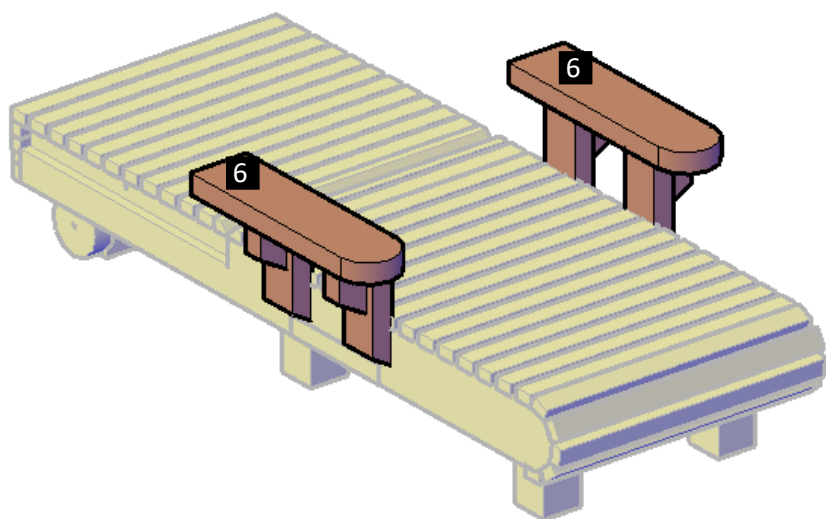
**Step 2:** Attach the trims (3) to the backrest with 5/16" x 4 1/2" Bolts (B) and 5/16" X 2 1/2" (C). Each part has a series of numbers that indicate where to attach the part with the corresponding number.



**Step 3:** Attach Legs-A (4) to the Seat with 3/8" x 6 1/2" bolts (D). After that, use 3/8" x 6 1/2" bolts (D) to attach Legs-B (5) to the Backrest. Each part has a series of numbers that indicate where to attach the part with the corresponding number.



**Step 4:** Finally, use 5/16" x 4 1/2" bolts (B) to attach the Armrests (6) to the Seat. Each part has a series of numbers that indicate where to attach the part with the corresponding number.





*This completes the Lounger assembly. Hope you enjoy your set for many decades. If you ever have a problem or a question, don't hesitate to call us (866 332 2403) or email us. We are here to support you.*