



# FOREVER I REDWOOD

*From the Forest, For the Forest since 1995*

---

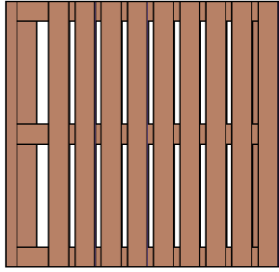
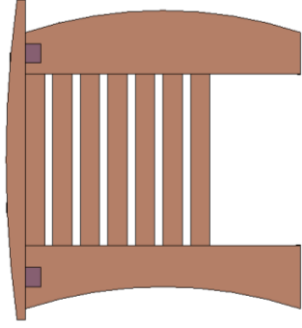
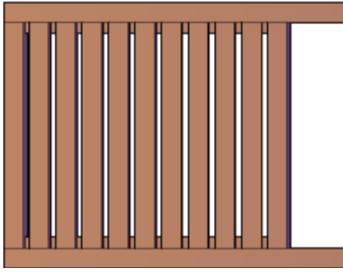
866.332.2403 (TOLL FREE); 7am – 7pm Pacific Time, Monday-Saturday

## ASSEMBLY INSTRUCTIONS FOR THE MARAZUL WOODEN BEACH CHAIR





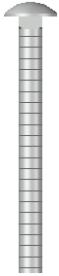
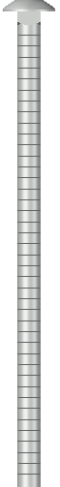


**CONTENT OF BOXES**

Qty.	Description	Drawing	No.
1	Seat		1
2	Legs		2
1	Backrest		3

*Note: Part numbers in the Content of Boxes Table are for reference only. These do not match to the numbers marked on the parts sent.*

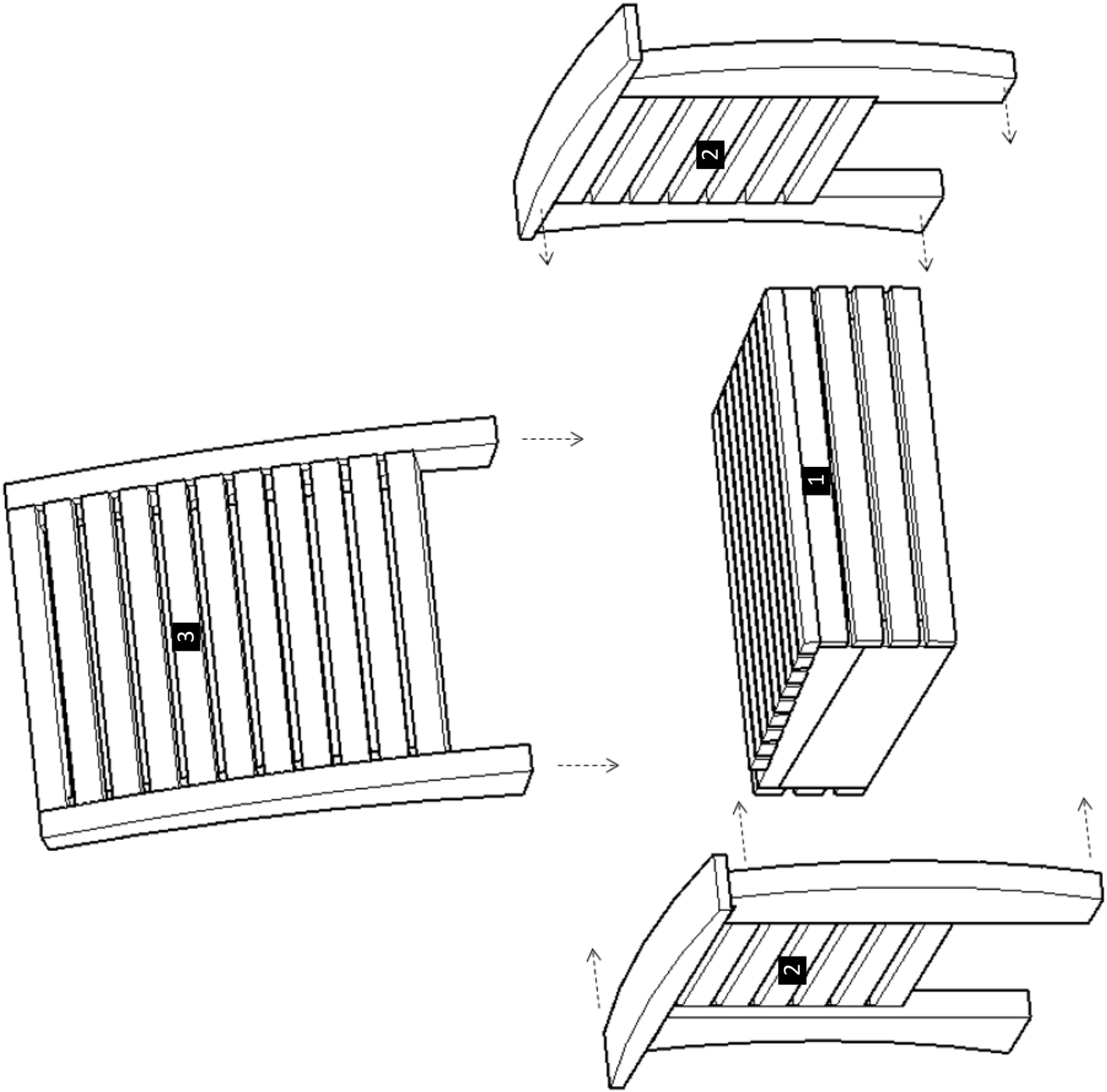


**HARDWARE LIST**

<b>Description</b>	<b>Drawing</b>	<b>No.</b>
5/16" X 3 1/2" Bolts (To attach the legs to the seat. / To attach the backrest to the legs).		A
5/16" X 4 1/2" Bolts (To attach the backrest to the legs).		B
5/16" Washers		C
5/16" Nuts		D

*Note: Dimensions of your hardware will vary depending on size.*

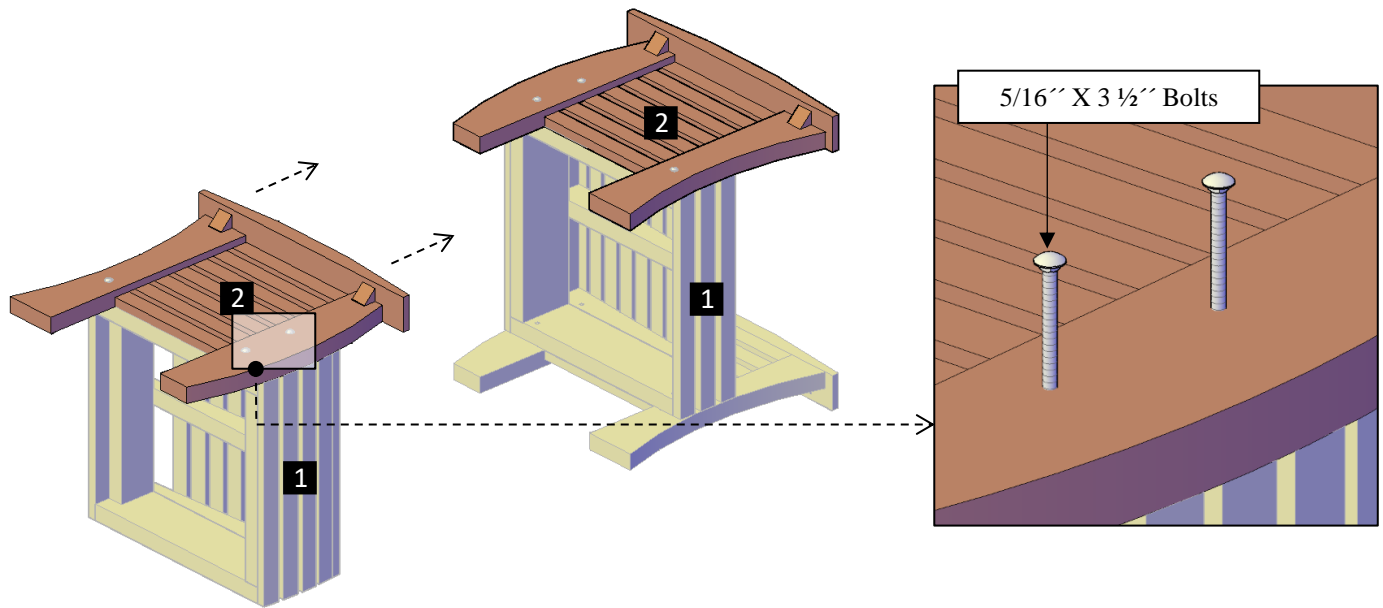
DESCRIPTION	No
Seat	1
Legs	2
Backrest	3



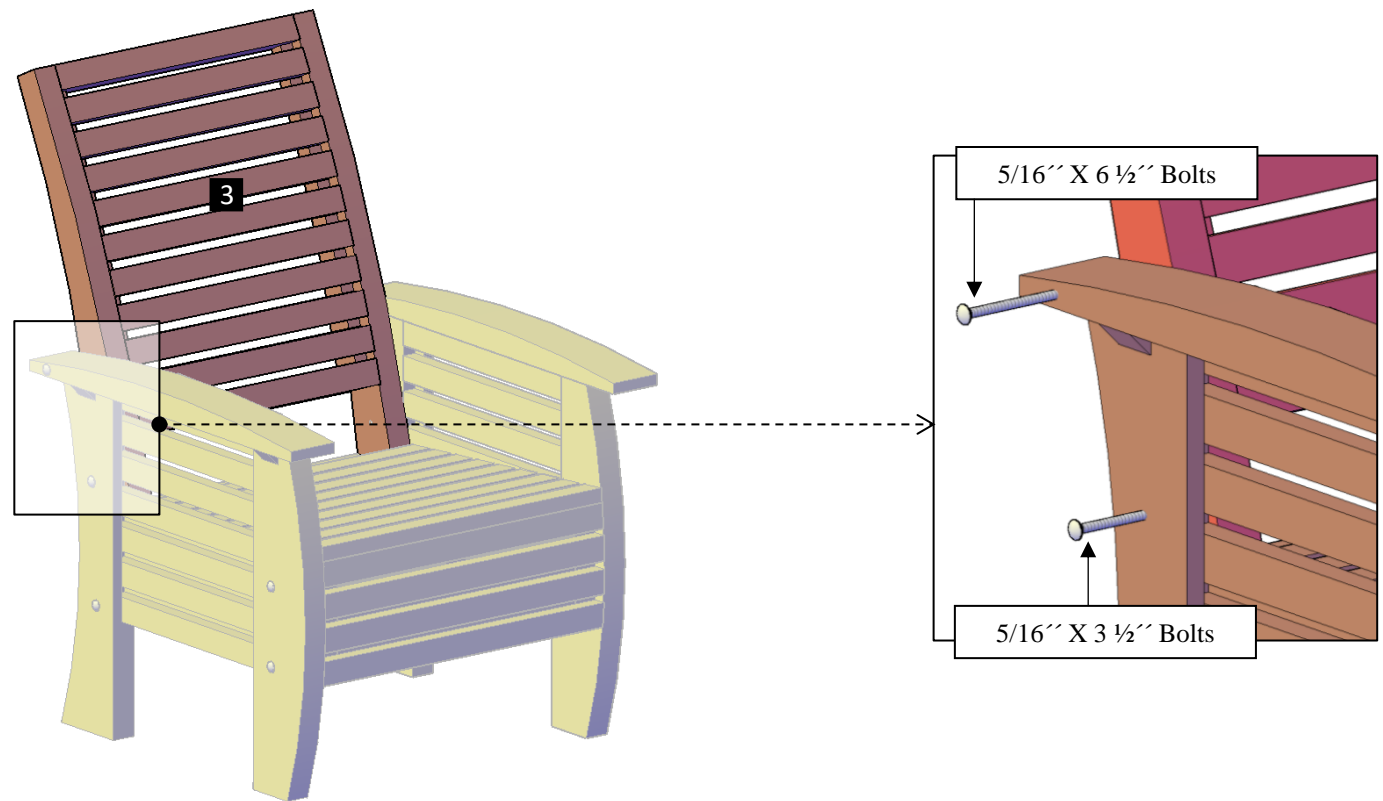
*Note: Part numbers in the Drawing are for reference only. These do not match to the numbers marked on the parts sent.*

**Step 1:** Place the seat (1) on its side. After that, use 5/16" x 3 1/2" bolts (A) with washers and nuts to attach one leg (2) to the seat. Each part has a series of numbers that indicate where to attach the part with the corresponding number.

**Repeat this step to attach the other leg.**



**Step 2:** Turn the chair over its feet. Finally, attach the backrest (3) to the legs, use 5/16" x 3 1/2" bolts (A) & 5/16" x 6 1/2" bolts (B) with washers and nuts. Each part has a series of numbers that indicate where to attach the part with the corresponding number.







*This completes the Chair assembly. Hope you enjoy your set for many decades. If you ever have a problem or a question, don't hesitate to call us (866 332 2403) or email us. We are here to support you.*