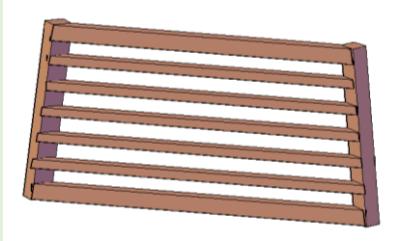
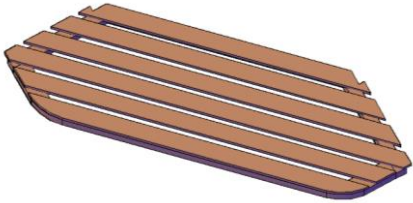
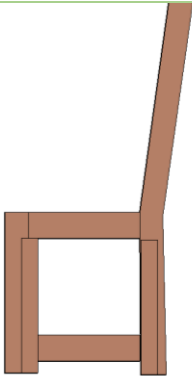
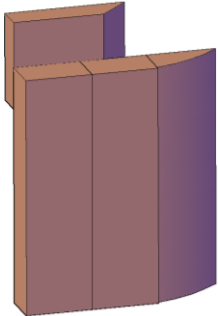


866.332.2403 (Toll Free); 8am-5pm Pacific Time, Monday-Friday

Assembly instructions for: **MARIA'S TREE BENCHES**



CONTENT OF BOXES

| Quantity | Description | Drawings |
|----------|--------------|--|
| 4 | Backrests |  |
| 4 | Seats |  |
| 4 | Legs |  |
| 8 | Front pieces |  |
| 16 | | Bolts 5/16 x 5" |
| 16 | | Bolts 5/16 x 4" |

ASSEMBLY INSTRUCTIONS

Thank you for purchasing Forever Redwood patio furniture. Forever Redwood is built by Old-Growth Again Restoration Forestry (OGA). OGA is dedicated to restoration forestry. Sales of patio furniture finance our restoration work in California redwood forestlands.

Tools required: ½-inch ratchet and a mallet or small hammer.

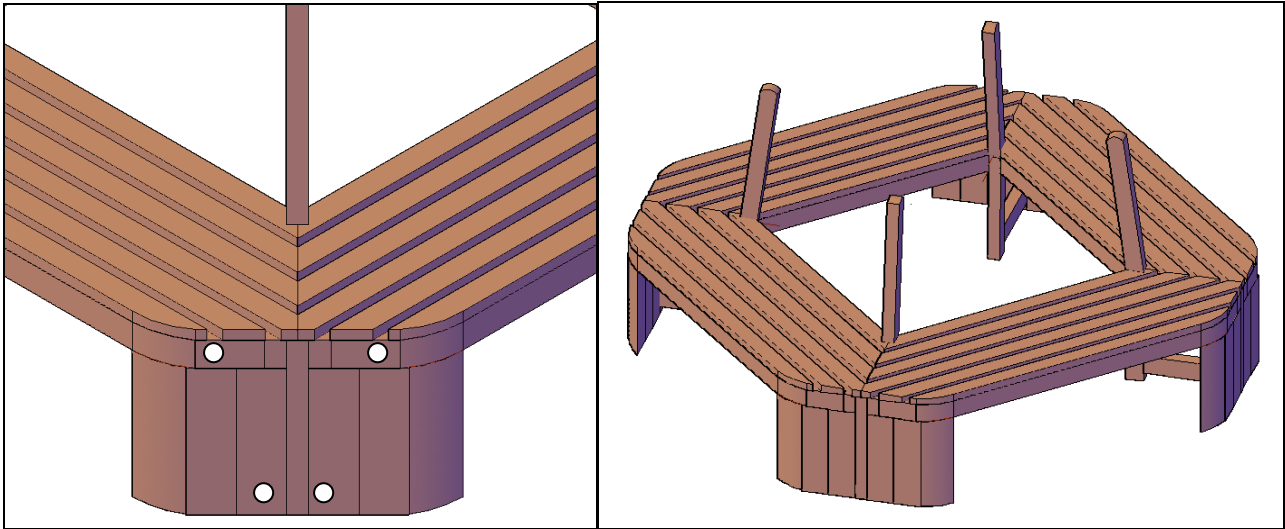
All parts have numbers written next to pre-drilled holes. Just match up the numbers. For example, a leg with the number 14 next to a pre-drilled hole is to be attached to the backrest with the same number.

Step 1: Attach the legs to the seats. Each part of your Tree Bench has a reference number to identify it, fit the corresponding piece with the same numbers and attach. Align the pre-drilled holes and tap the 5/16" x 5" carriage bolts from the outside edge into the holes to attach the legs and seat. Tap the bolts in all the way to set into the wood. If you have to force a bolt, the piece is probably on the wrong side or is turned around.

Add washer and nut. Do not over tighten or you'll crush the redwood and weaken the bench's structural strength. *Repeat the step with the other legs and seats, until you complete the square.*

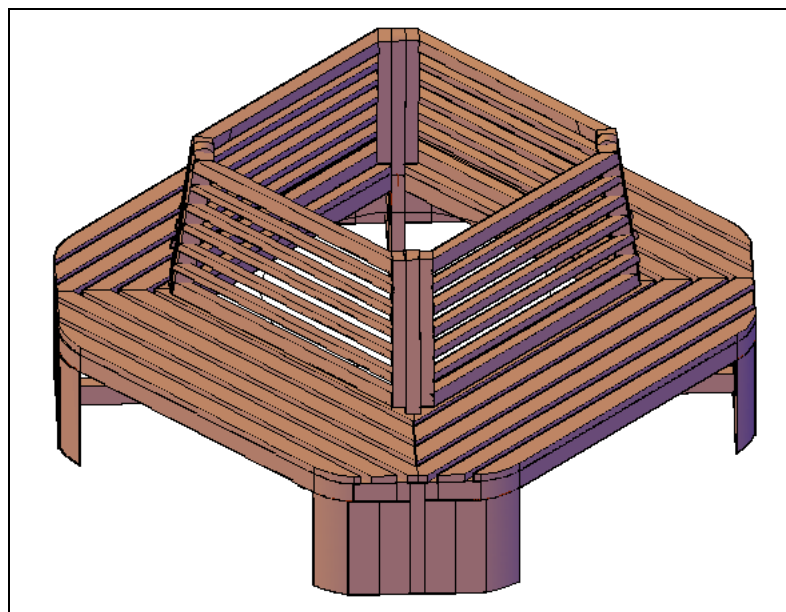
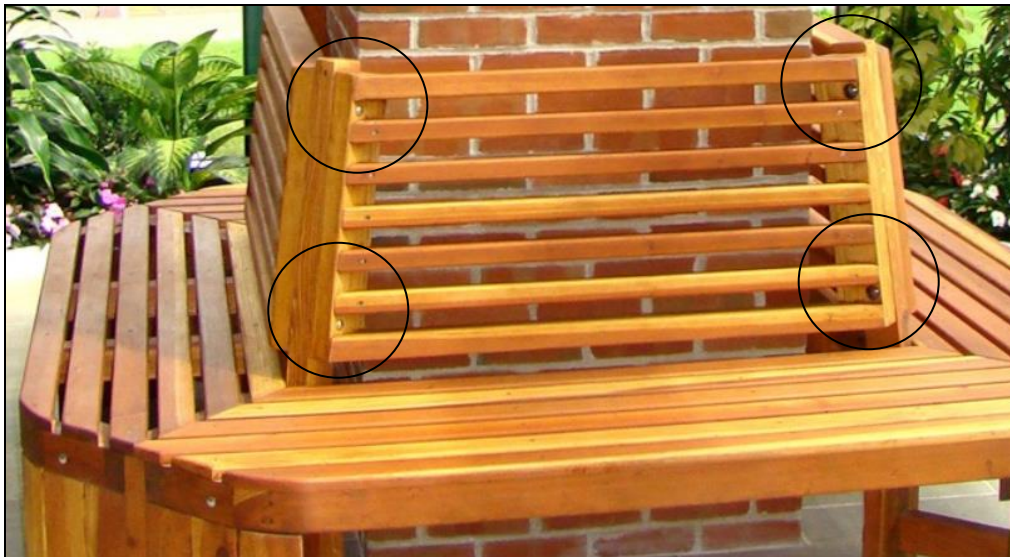


Step 2: Attach the front pieces the seat & the leg with four bolts (5/16" x 4"), washers and nuts.



Once finished the seats will look this way.

Step 3: Attach the backrests with 2 bolts each, on each side, as shown in the next photos. Match up the number next to the pre-drilled holes on the legs to the numbers on the back rest on each side,



Thank you! If you have any questions, please call or email us.

