



# FOREVER REDWOOD

*From the Forest, For the Forest since 1995*

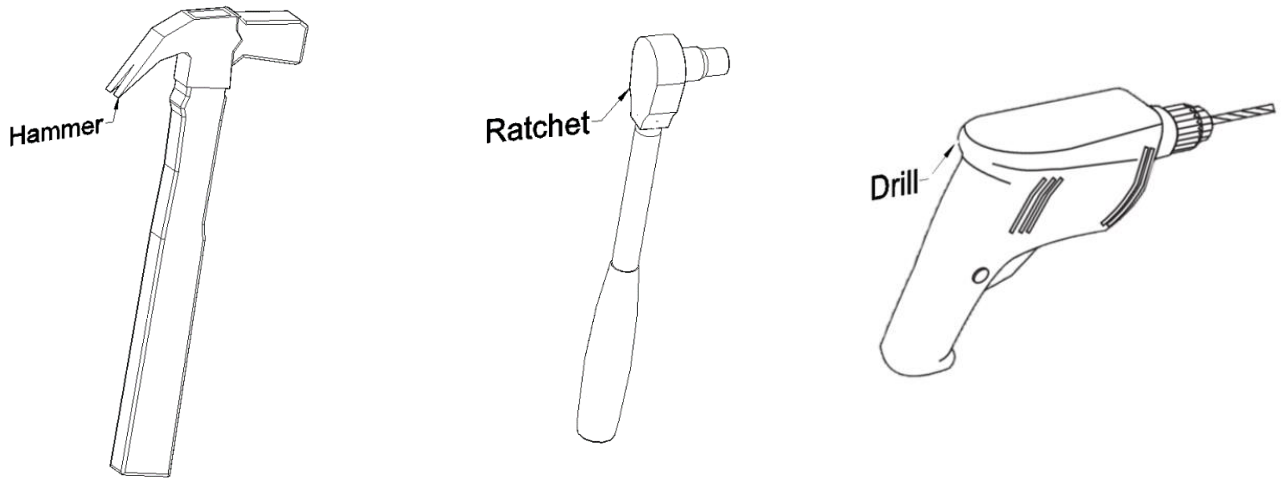
---

866.332.2403 (TOLL FREE); 7am – 7pm Pacific Time, Monday-Saturday

## ASSEMBLY INSTRUCTIONS FOR THE **MASSIVE WOODEN DINING CHAIR** ARMCHAIR

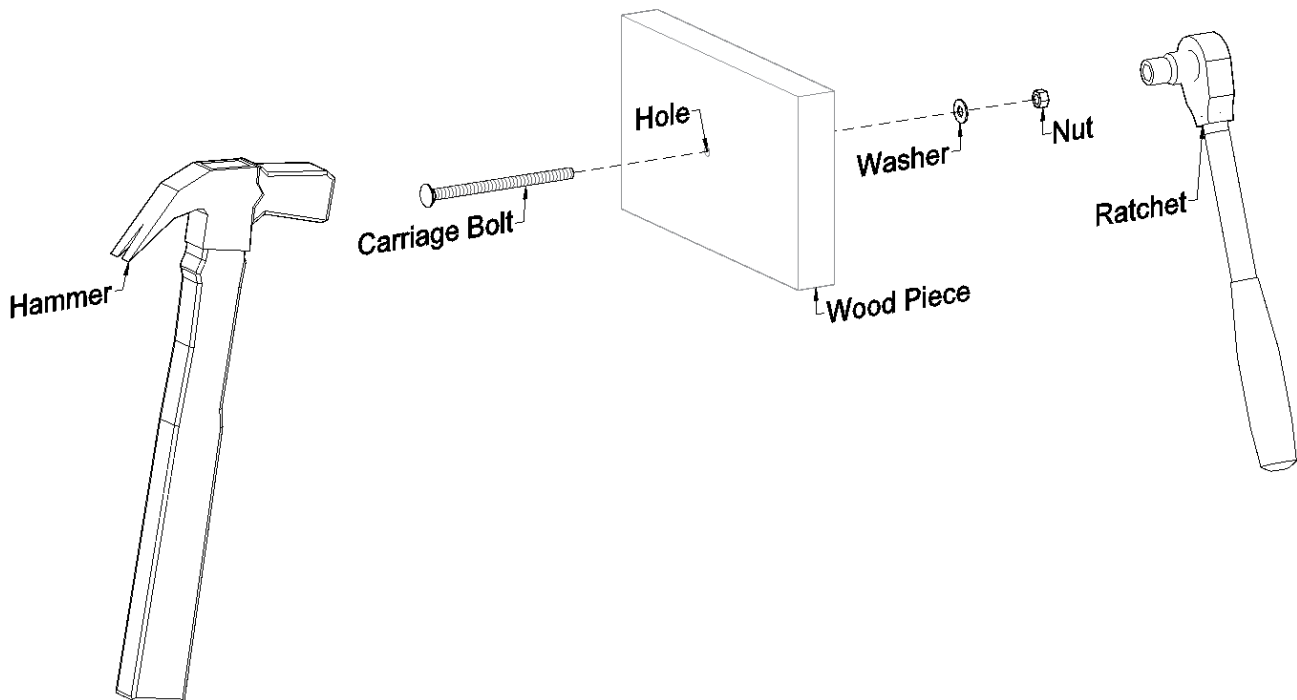


**NOTE:** Assembly is best done by two people. To assemble your product, you need a Hammer, a Ratch or a wrench and if required a Drill.



**Required Tools (Are not included in your hardware packing).**

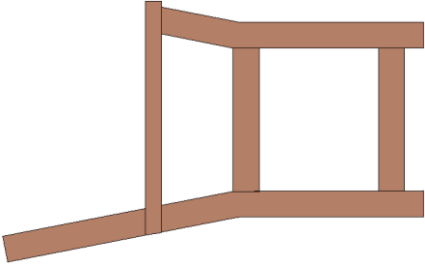

**PROCESS TO INSTALL THE HARDWARE PROVIDED.**



**To install the bolts.**

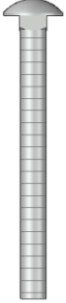
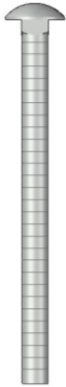


Insert the carriage bolts into the holes and lightly tap with a hammer until the square neck fit in the wood piece and the bolt head must flush with the wood piece. Finally, place the washer and the nut and carefully tighten it using a ratchet with the necessary socket or a wrench.

**CONTENT OF BOXES**

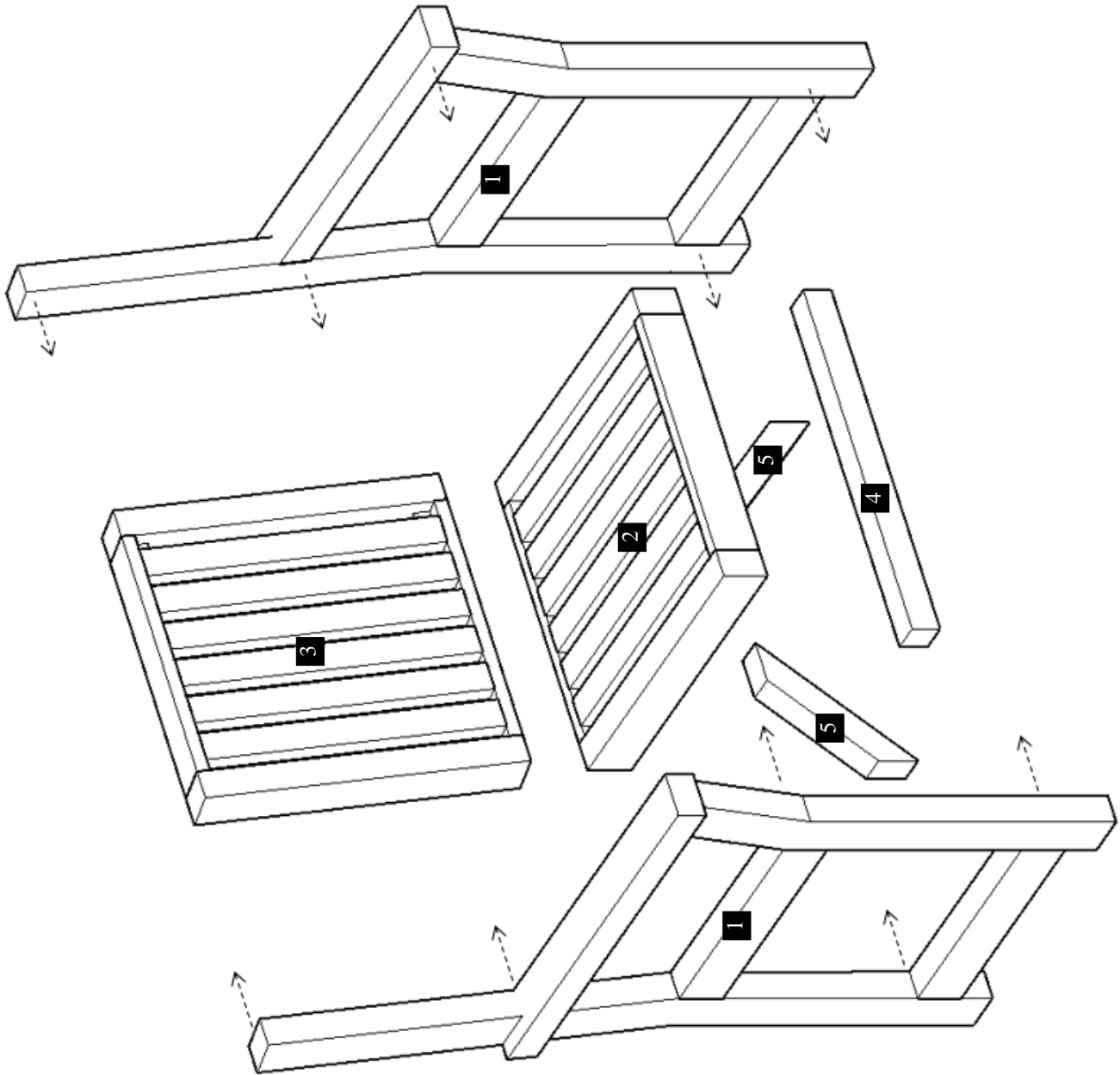
Qty.	Description	Drawing	No.
2	Legs		1
1	Seat		2
1	Backrest		3
1	Front Support		4
2	Diagonal Supports		5

*Note: Part numbers in the Content of Boxes Table are for reference only. These do not match to the numbers marked on the parts sent.*

## HARDWARE PACKING

Qty.	Description	Drawing	No.
10	5/16" x 3 1/2" Bolts (To attach the seat and the backrest to the legs. / To attach the diagonal supports to the seat).		a
4	5/16" x 4 1/2" Bolts (To attach the frontal support and the diagonal supports to the legs).		b
14	Washers		c
14	Nuts		d

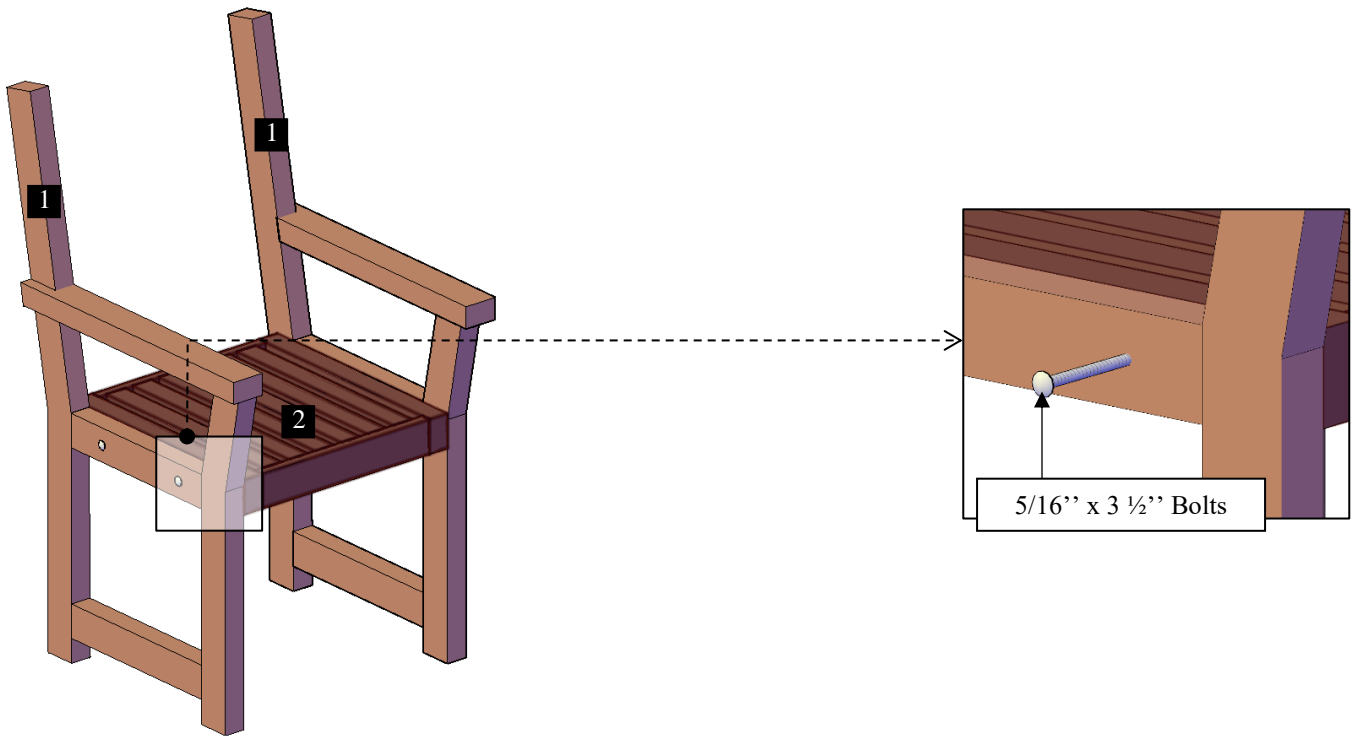
*Note: Dimensions of your hardware will vary depending on size.*



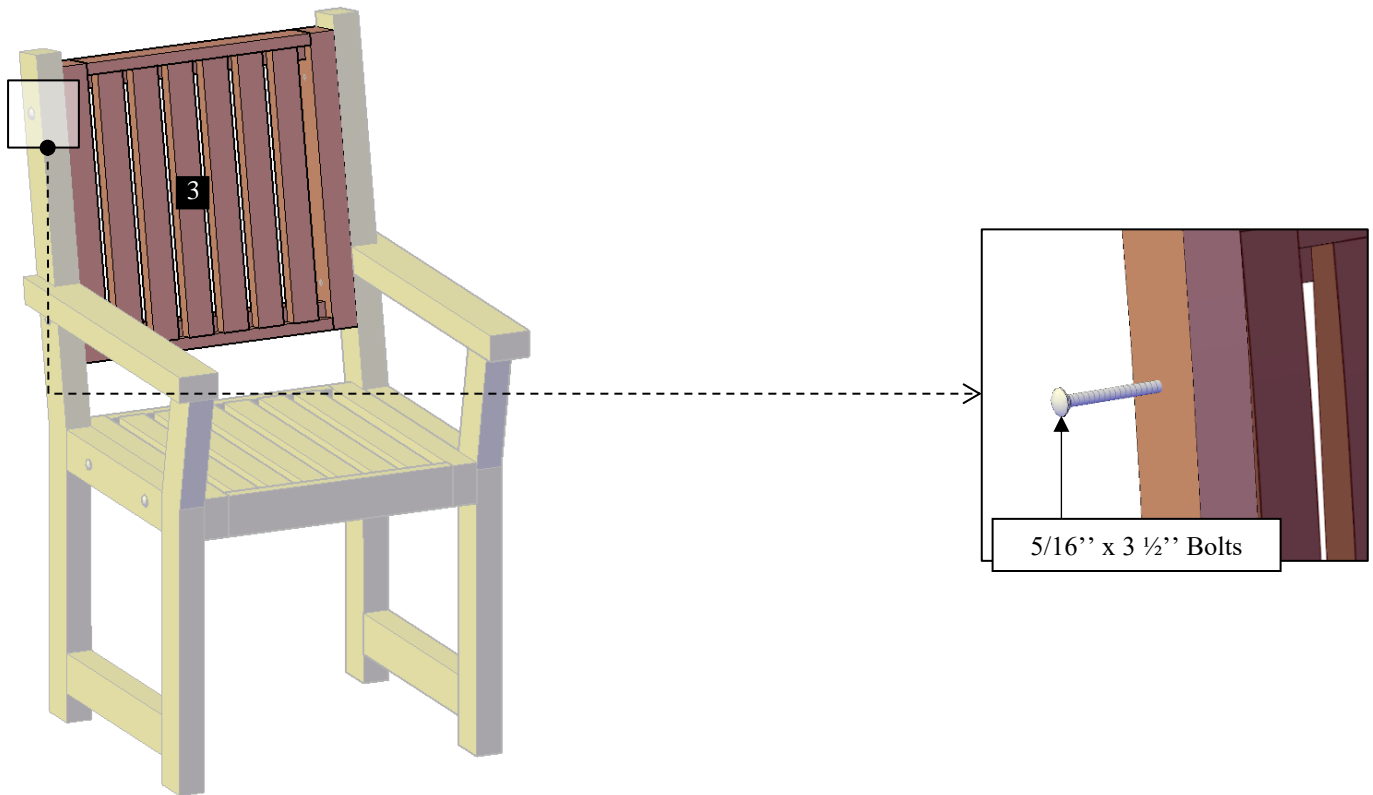
DESCRIPTION	No
Legs	1
Seat	2
Backrest	3
Front Support	4
Diagonal Supports	5

*Note: Part numbers in the Drawing are for reference only. These do not match to the numbers marked on the parts sent.*

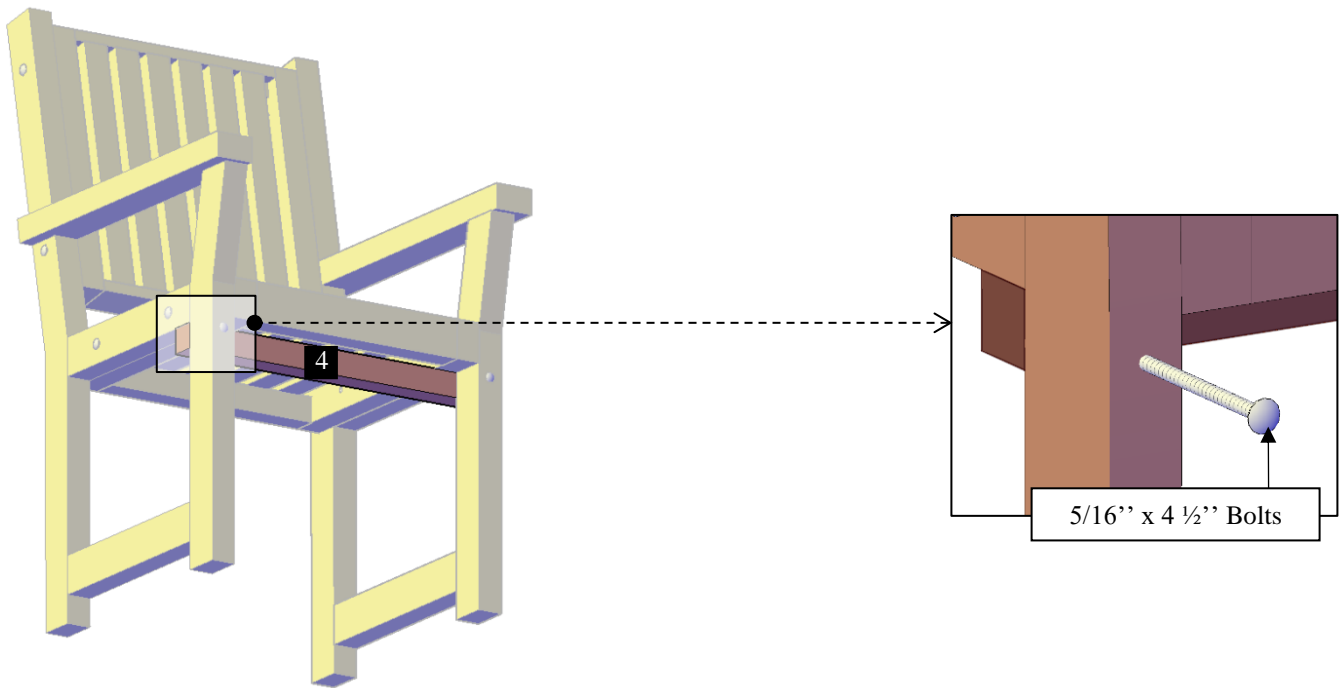
**Step 1:** Use 5/16" x 3 1/2" bolts (a) with washers and nuts to attach the seat (2) to the legs (1). Each part has a series of numbers that indicate where to attach the part with the corresponding number.



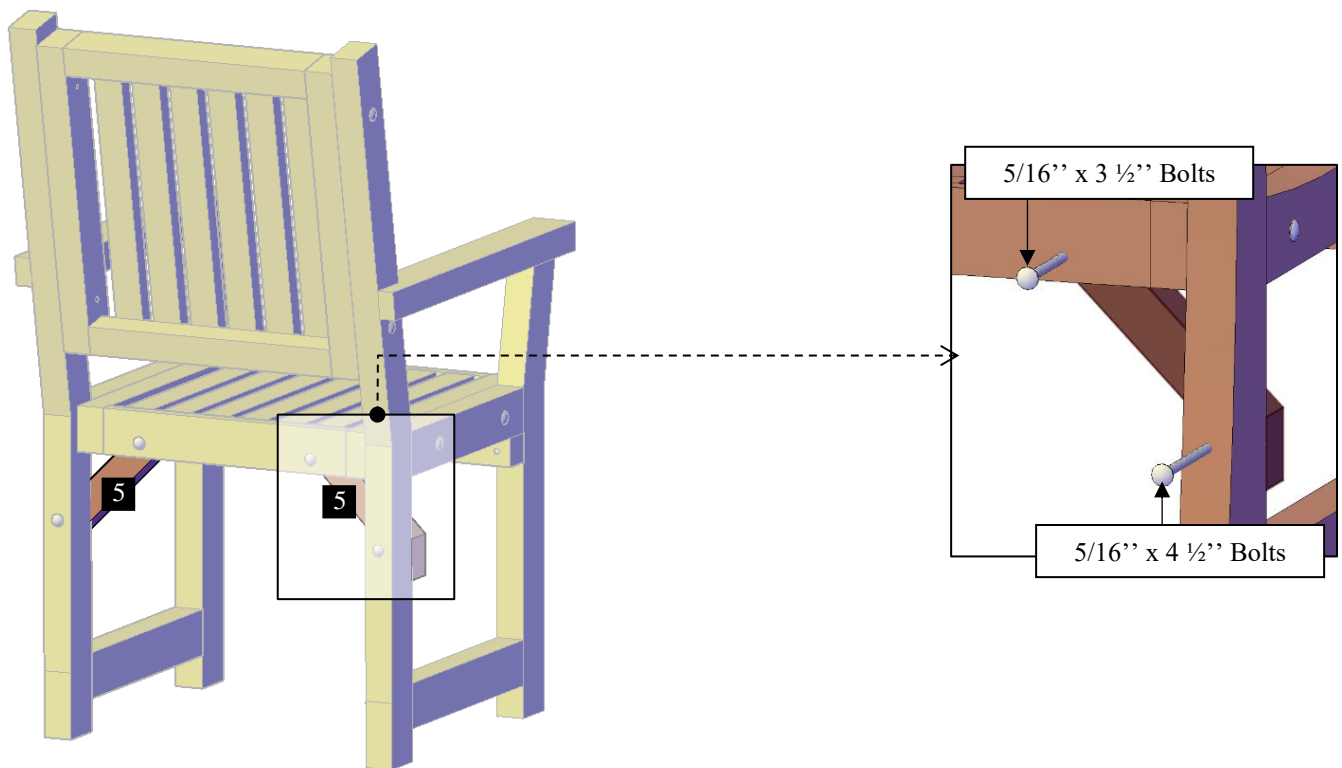
**Step 2:** Attach the backrest (3) to the legs with 5/16" x 3 1/2" bolts (a), washers and nuts. Each part has a series of numbers that indicate where to attach the part with the corresponding number.



**Step 3:** Attach the frontal support (4) to the legs with 5/16" x 4 1/2" bolts (b), washers and nuts. Each part has a series of numbers that indicate where to attach the part with the corresponding number.



**Step 4:** Finally, use 5/16" x 3 1/2" bolts (a) with washers and nuts to attach the diagonal supports (5) to the seat. After that, use 5/16" x 4 1/2" bolts (b) with washers and nuts to attach to the legs. Each part has a series of numbers that indicate where to attach the part with the corresponding number.







*This completes the Chair Assembly. Hope you enjoy your set for many decades. If you ever have a problem or a question, don't hesitate to call us (866 332 2403) or email us. We are here to support you.*