



FOREVER REDWOOD

From the Forest, For the Forest since 1995

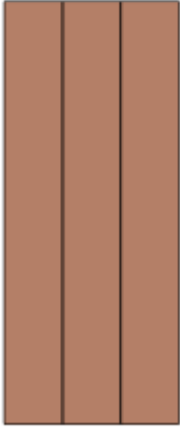
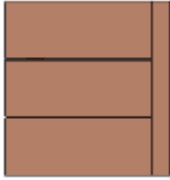

866.332.2403 (TOLL FREE); 7am – 7pm Pacific Time, Monday-Saturday

ASSEMBLY INSTRUCTIONS FOR THE **MAYNARD GARDEN BENCH**







CONTENT OF BOXES

Qty.	Description	Drawing	No.
1	Seat		1
2	Legs		2
1	Support		3

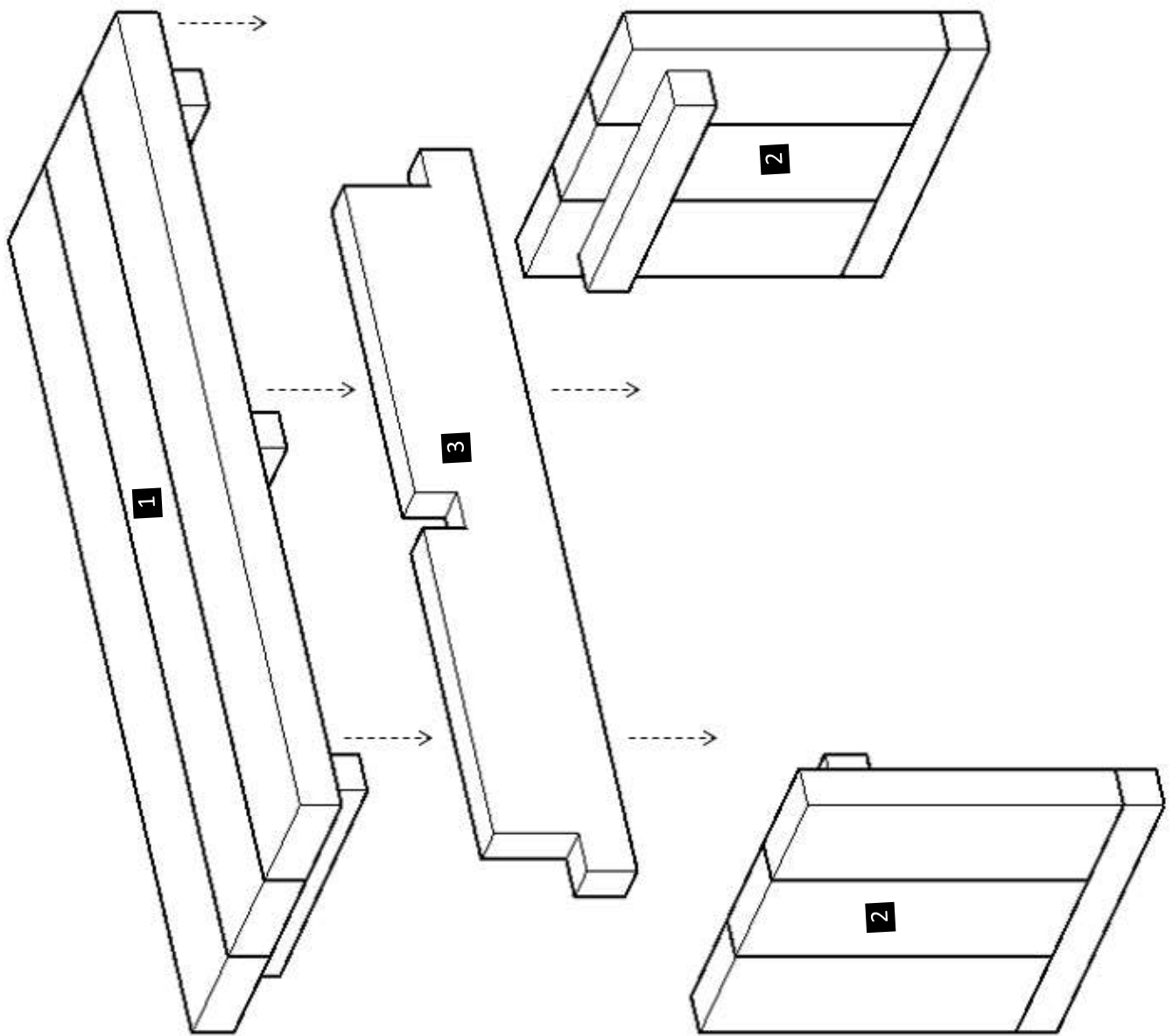
Note: Part numbers in the Content of Boxes Table are for reference only. These do not match to the numbers marked on the parts sent.

HARDWARE LIST

Description	Drawing	No.
3/8" X 3 1/2" Bolts (To attach the Seat to the legs).		A
3" Deck Screws (To attach the support to the legs).		B

Note: Dimensions of your hardware will vary depending on size.

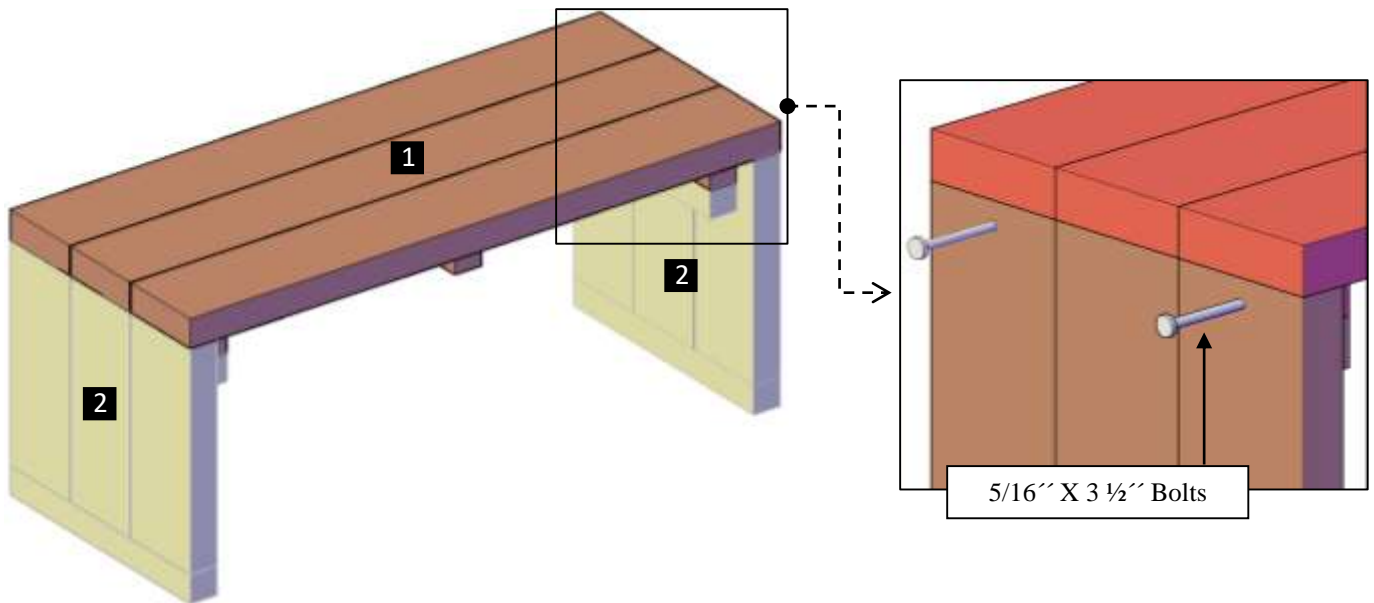




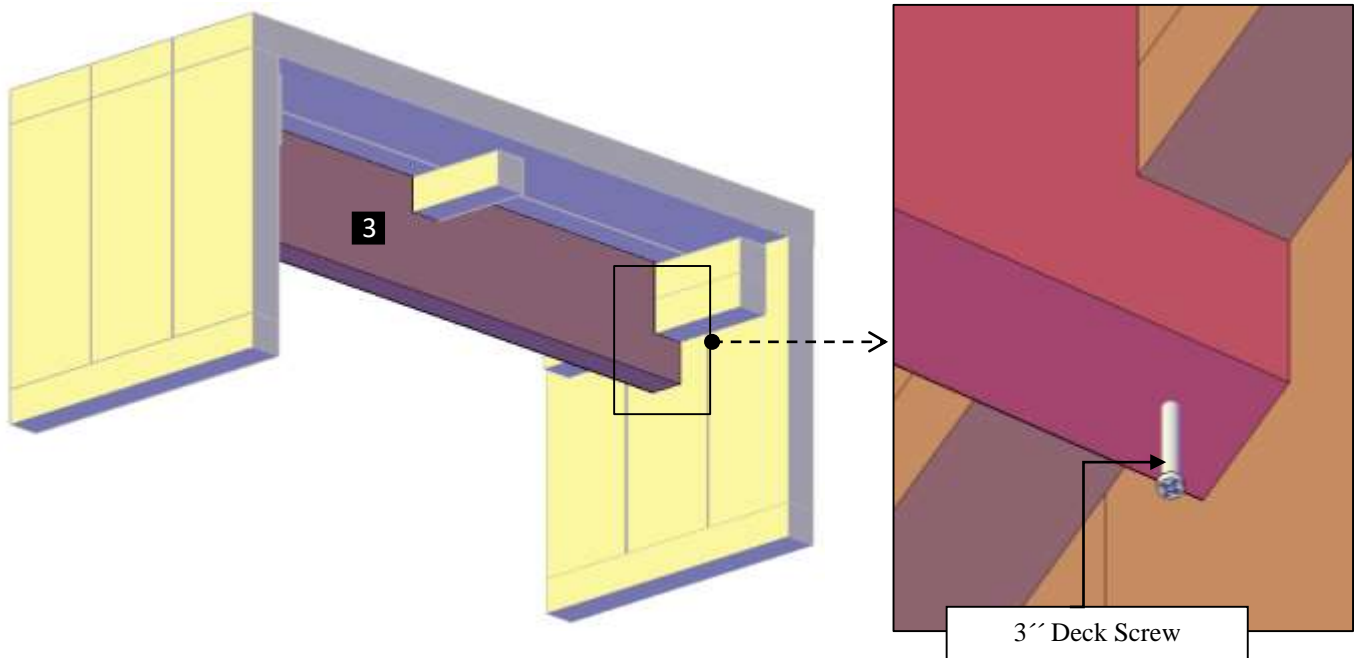
DESCRIPTION	No
Seat	1
Legs	2
Support	3

Note: Part numbers in the *Drawing* are for reference only. These do not match to the numbers marked on the parts sent.

Step 1: Use 5/16" x 3 1/2" bolts (A) to attach the Seat (1) to the legs (2). Each part has a series of numbers that indicate where to attach the part with the corresponding number.



Step 2: Finally, attach the support (3) to the legs with 3" deck screws (B). Each part has a series of numbers that indicate where to attach the part with the corresponding number.





This completes the Bench assembly. Hope you enjoy your set for many decades. If you ever have a problem or a question, don't hesitate to call us (866 332 2403) or email us. We are here to support you.