



FOREVER REDWOOD

From the Forest, For the Forest since 1995




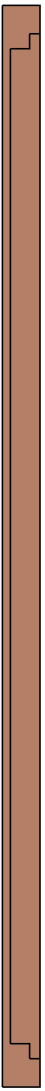
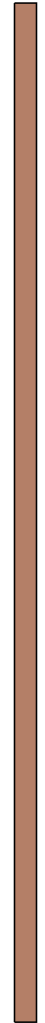
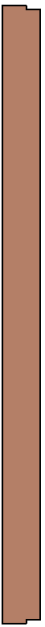
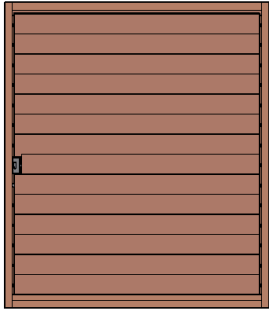
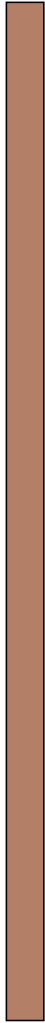
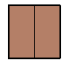
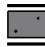
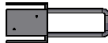


866.332.2403 (TOLL FREE); 7am – 7pm Pacific Time, Monday-Saturday

ASSEMBLY INSTRUCTIONS FOR THE **MODERN LOUVERED GARDEN PERGOLA** MOBILE LOUVERED PANELS






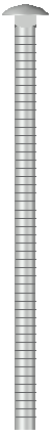







CONTENT OF BOXES

| Qty. | Description | Drawing | No. |
|------------|---|---|-----------|
| | Posts |  | 1 |
| | Single Supports-A |  | 2 |
| | Single Supports-B |  | 3 |
| | Supports with In-Between Blocking |  | 4 |
| | In-Between Covers |  | 5 |
| | Central Supports |  | 6 |
| Will Vary. | Louvered Panels |  | 7 |
| | Curtain Rod Fascia' s |  | 8 |
| | Boots |  | 9 |
| | Standard, Gale Wind or Hurricane Anchors Bases. If ordered. |  | 10 |
| | |  | |
| | |  | Hurricane |
| | Louver Extension Pole |  | 11 |

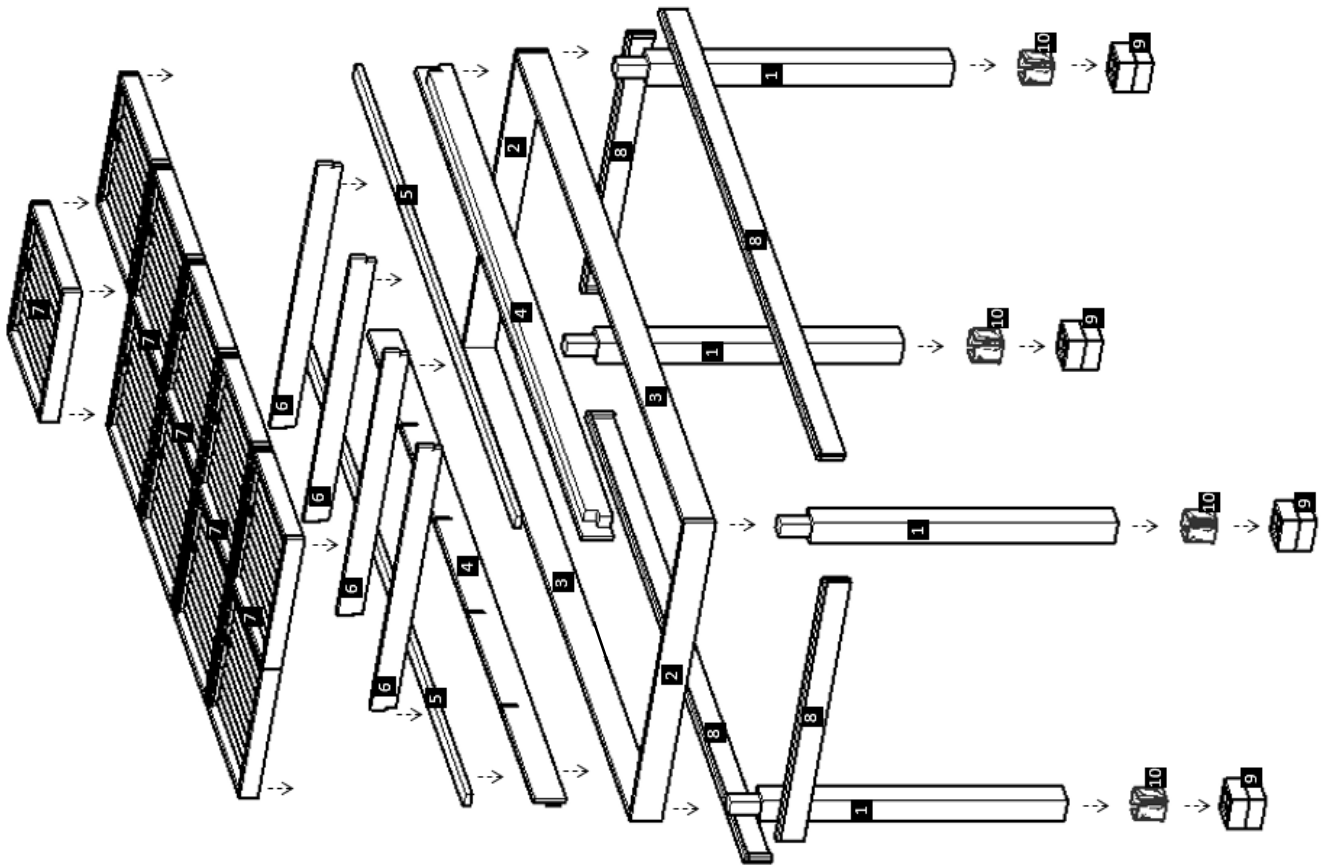
Note: Part numbers in the Content of Boxes Table are for reference only. These do not match to the numbers marked on the parts sent.



HARDWARE LIST

| Description | Drawing | No. |
|---|---|-----|
| <p style="text-align: center;">$\frac{1}{2}$" X 3 $\frac{1}{2}$" Anchor Bolts (To attach the anchor bases to the ground).</p> |  | A |
| <p style="text-align: center;">3/8" X 3" Lag Bolts (To attach the anchor bases to the posts).</p> |  | B |
| <p style="text-align: center;">3/8" X 7 $\frac{1}{2}$" Bolts (To attach supports to the posts. / To attach the single supports-B to the support with in-between blocking).</p> |  | C |
| <p style="text-align: center;">3/8" X 4" Lag bolts (To attach the supports together).</p> |  | D |
| <p style="text-align: center;">3" Deck Screws (To attach the in-between covers to the supports with in-between blocking. / To attach the boots to the posts).</p> |  | E |
| <p style="text-align: center;">3/8" X 12" Lag bolts (To attach the central supports to the long supports).</p> |  | F |
| <p style="text-align: center;">5/16" X 2 $\frac{1}{2}$" Lag Bolts (To attach the louvered panels to the supports).</p> |  | G |
| <p style="text-align: center;">2 $\frac{1}{2}$" Deck Screws (To attach the curtain rod fascia's to the posts and to the supports).</p> |  | H |
| <p style="text-align: center;">3/8" Washers</p> |  | I |
| <p style="text-align: center;">3/8" Nuts</p> |  | J |

Note: Dimensions of your hardware will vary depending on size.

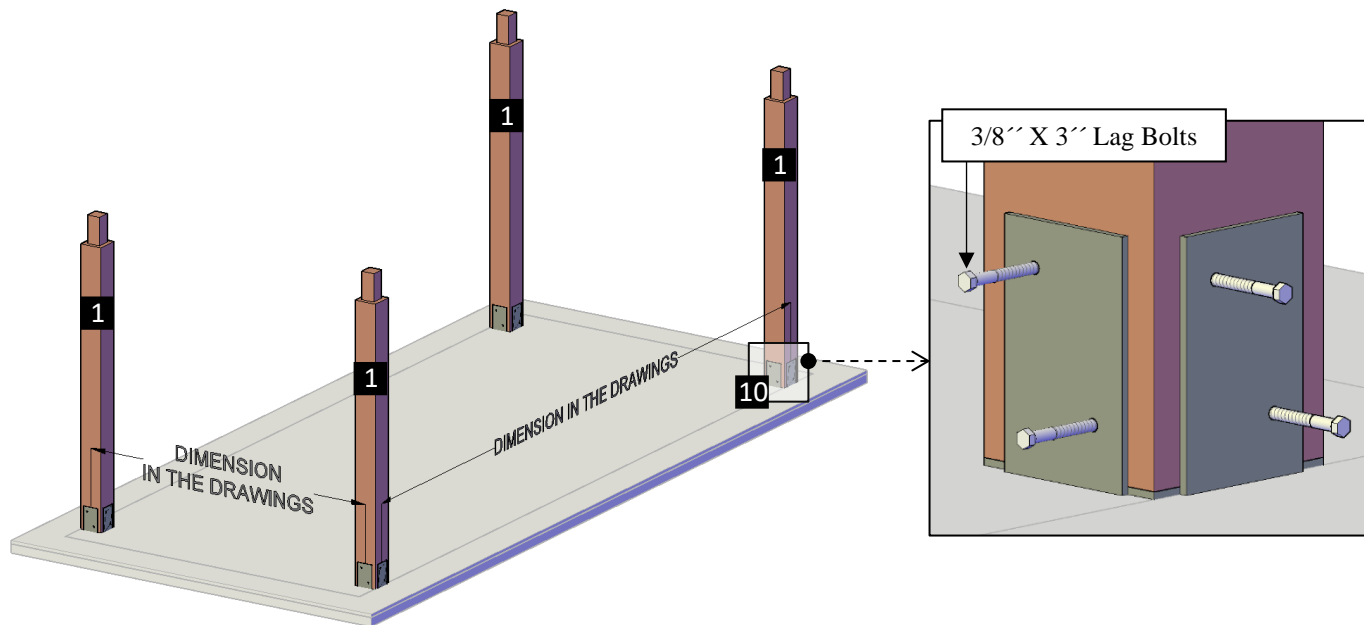


| DESCRIPTION | No |
|-----------------------------------|----|
| Posts | 1 |
| Short Single Supports | 2 |
| Long Single Supports | 3 |
| Supports with In-Between Blocking | 4 |
| In-Between Covers | 5 |
| Central Supports | 6 |
| Louvered Panels | 7 |
| Curtain Rod Fascia's | 8 |
| Boots | 9 |
| Anchors Bases | 10 |

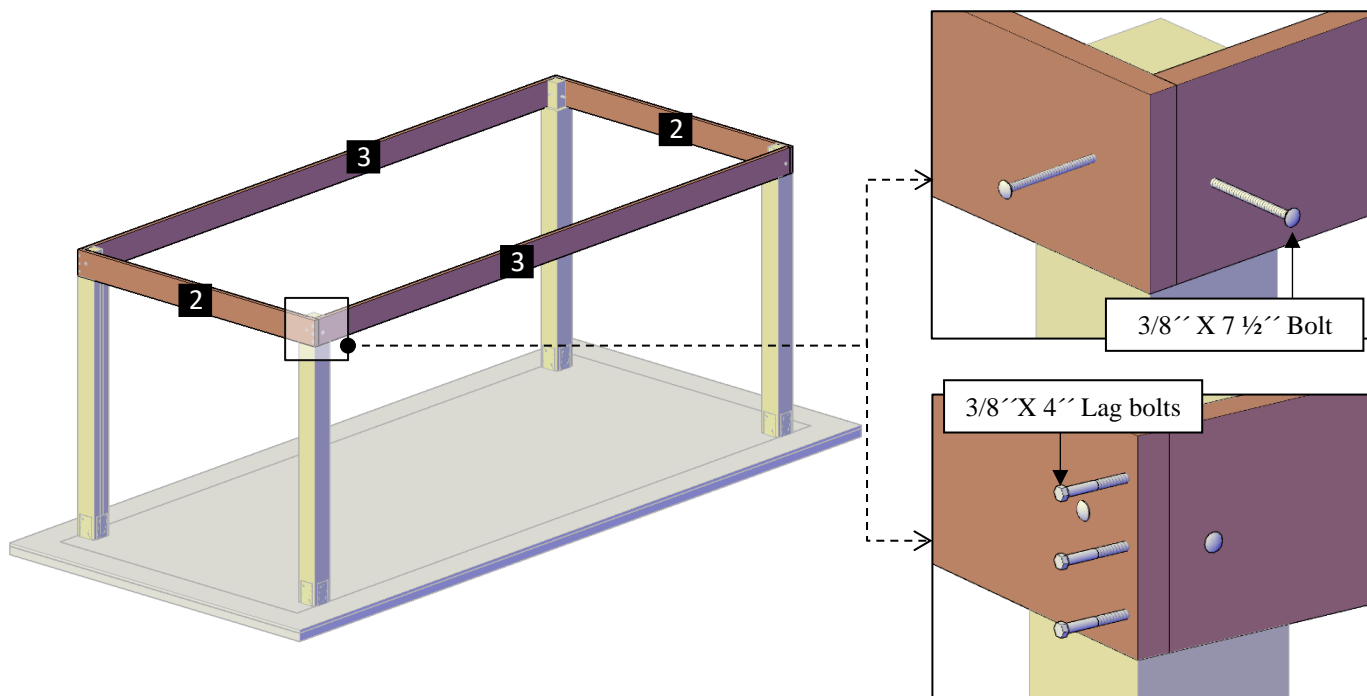
Note: Part numbers in the Drawing are for reference only. These do not match to the numbers marked on the parts sent.

NOTE: In order to know where the post needs to be placed, check the numbers on them. If the post is not marked, then place the single Supports on the ground to locate the markings for each post position and clearly set your bearings. (“Don’t attach yet, only place them on the ground to begin with”).

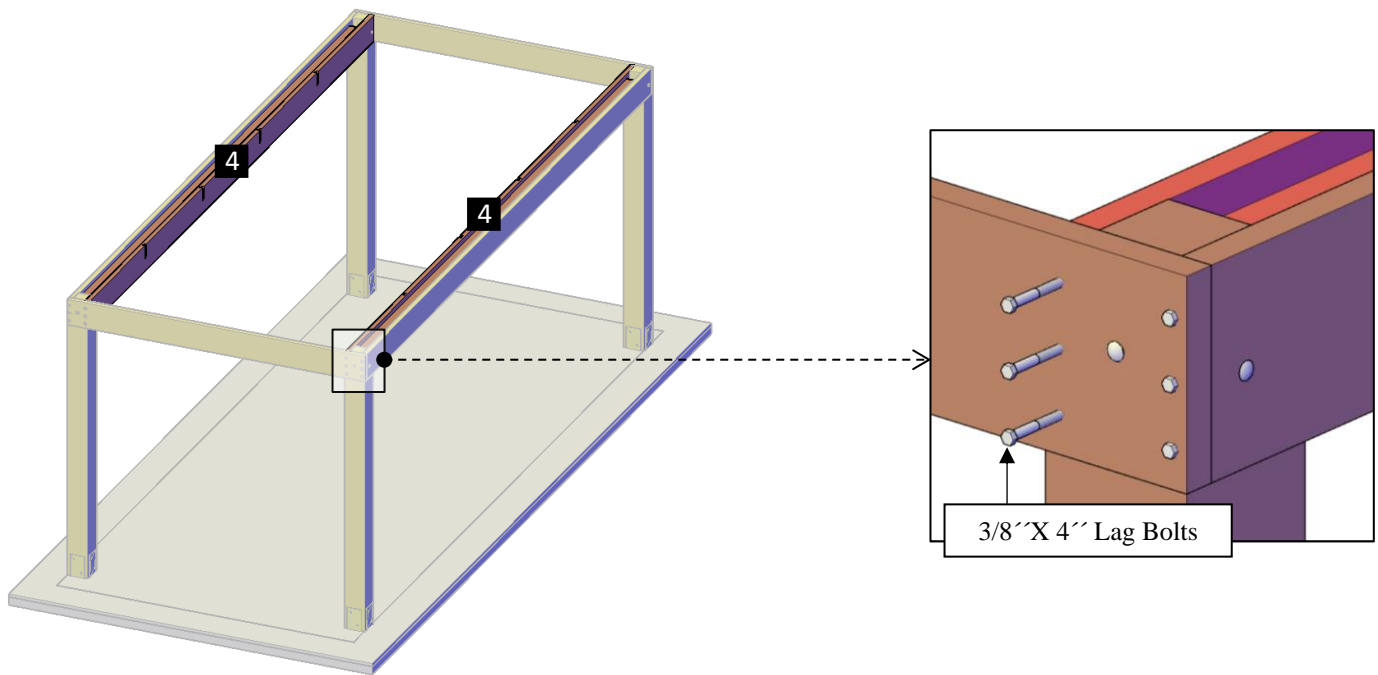
Step 1: Install the anchor bases (10) with $\frac{1}{2}$ " X $3\frac{1}{2}$ " anchor bolts (A). Please see the “How to anchor your pergola document” for all details. Set your post (1) in the saddle of the anchor bases. Drill a $\phi\frac{1}{4}$ " hole in the post prior to anchoring to facilitate the ratcheting of the hardware. After that, use $\frac{3}{8}$ " X 3" lag bolts (B) to attach each post to its respective anchor base.



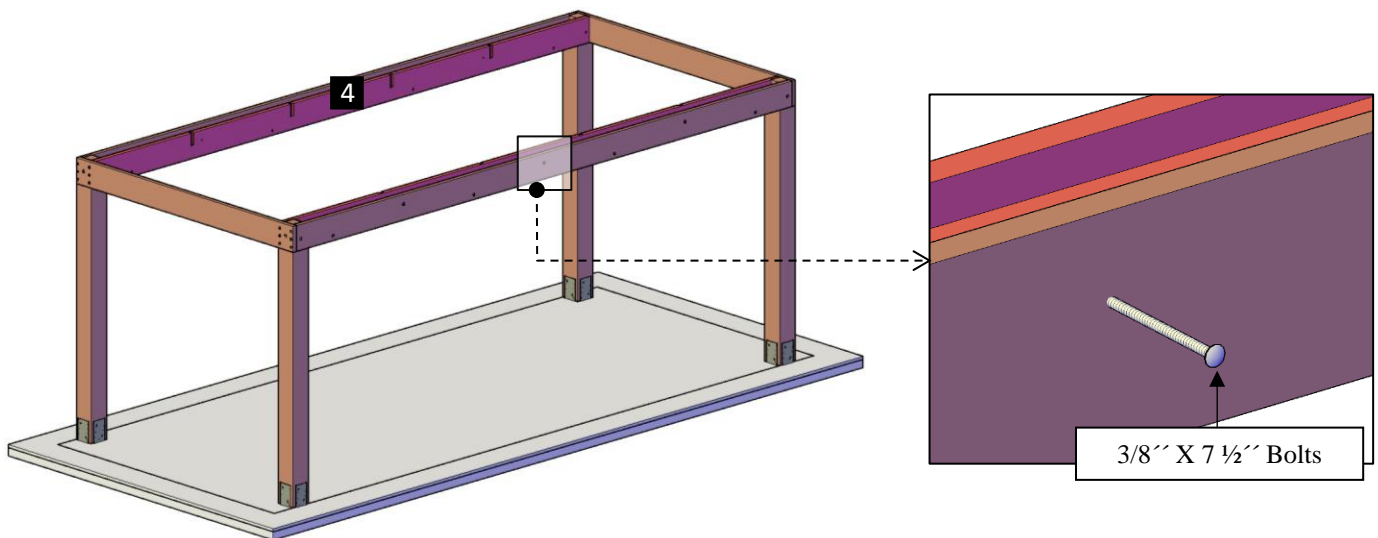
Step 2: Attach the single supports A&B (2,3) to the posts, use $\frac{3}{8}$ " X $7\frac{1}{2}$ " bolts (C) with washers (I) and nuts (J). After that, with $\frac{3}{8}$ " X 4" lag bolts (D) with washers (I) to attach the single supports together. Each part has a series of numbers that indicate where to attach the part with the corresponding number.



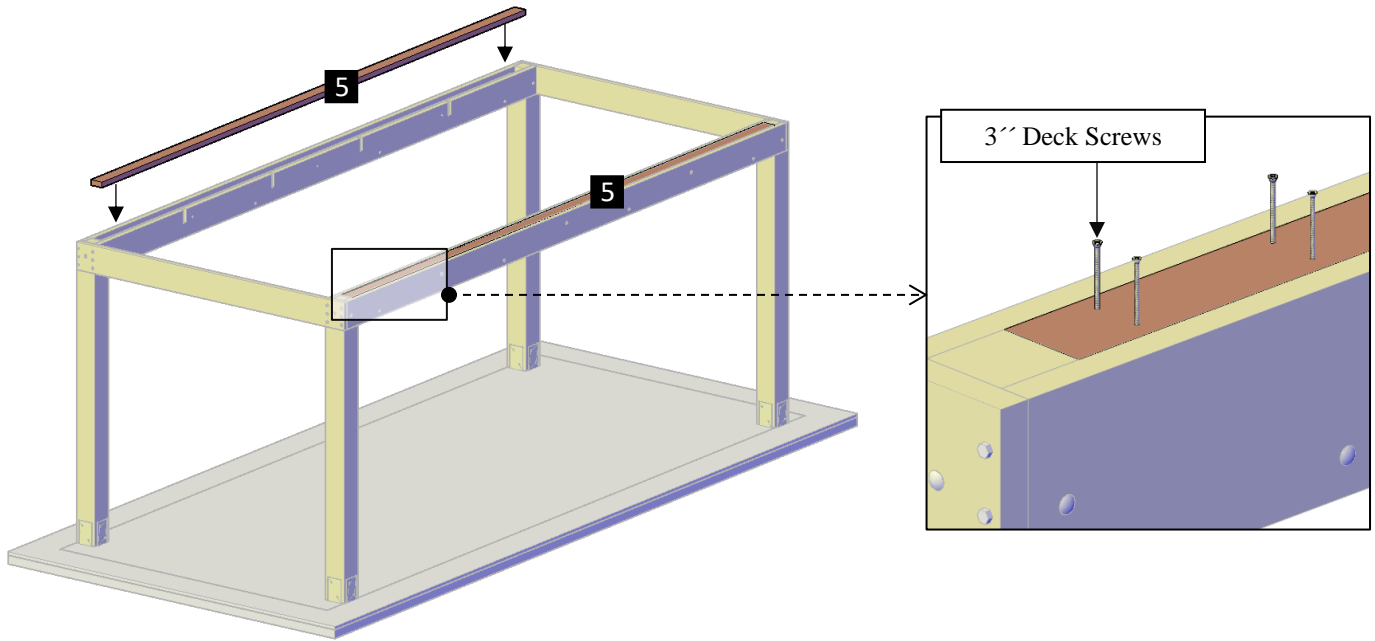
Step 3: Put up the supports with in-between blocking (4), into the post notches as shown and attach to the posts with the single support bolts. After that, attach the supports with in-between blocking to the single supports, used 3/8" x 4" lag bolts (D) with washers (I). Each part has a series of numbers that indicate where to attach the part with the corresponding number.



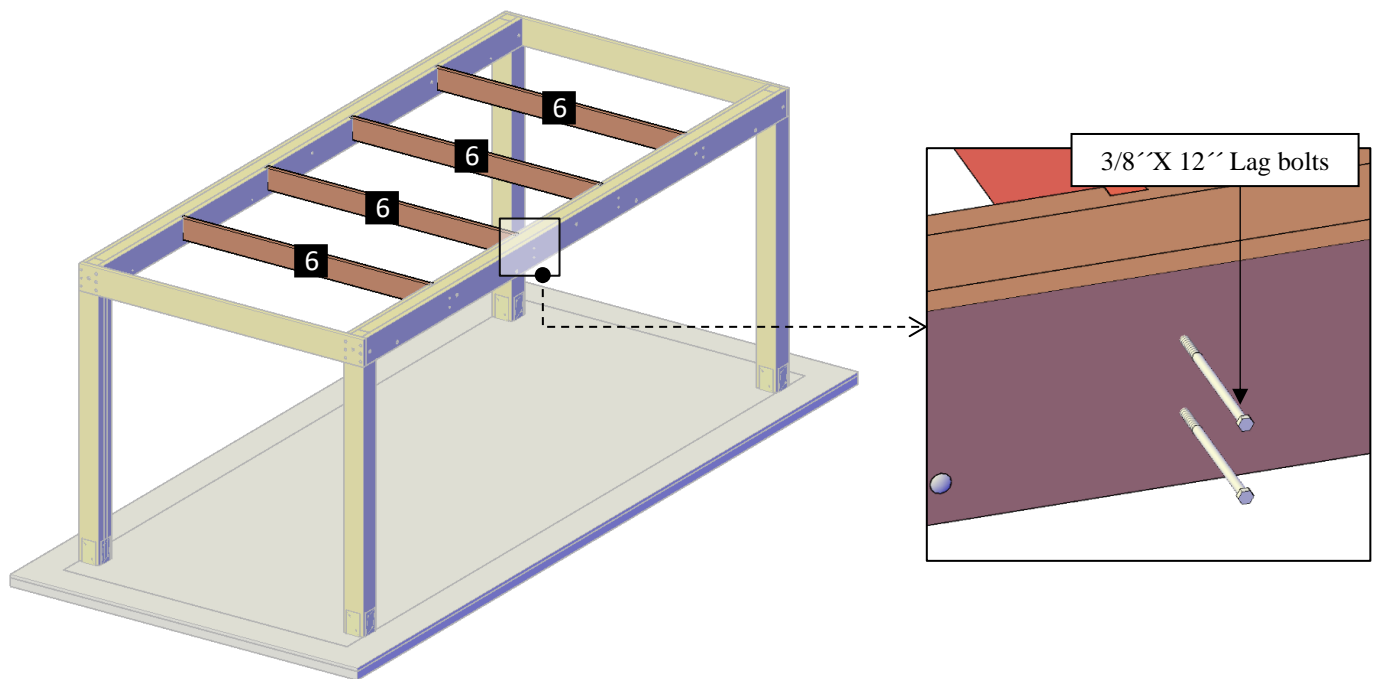
Step 4: Attach the supports with in-between blocking (4) to the single supports, use 3/8" x 7 1/2" bolts (C) with washers (I) and nuts (J). Each part has a series of numbers that indicate where to attach the part with the corresponding number.



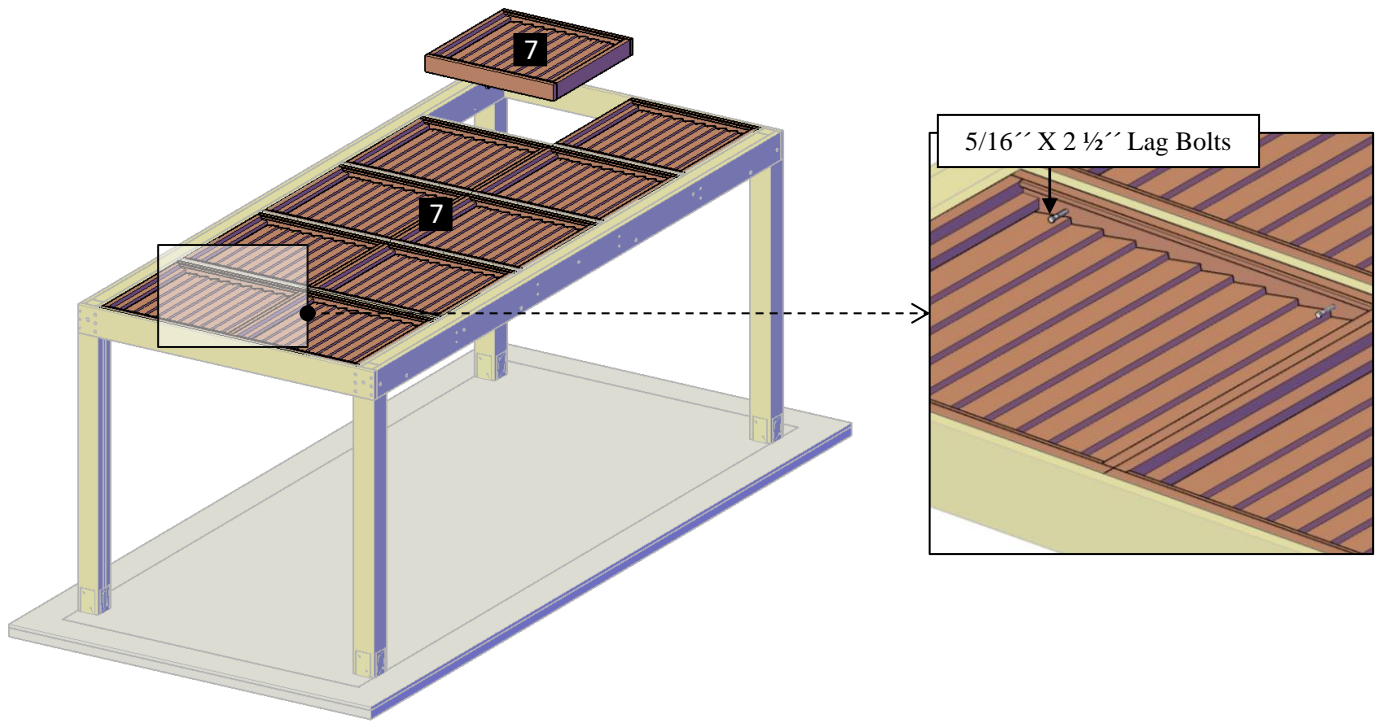
Step 5: Use 3'' deck screws (E) to attach the in-between covers (5) to the supports with in-between blocking. Each part has a series of numbers that indicate where to attach the part with the corresponding number.



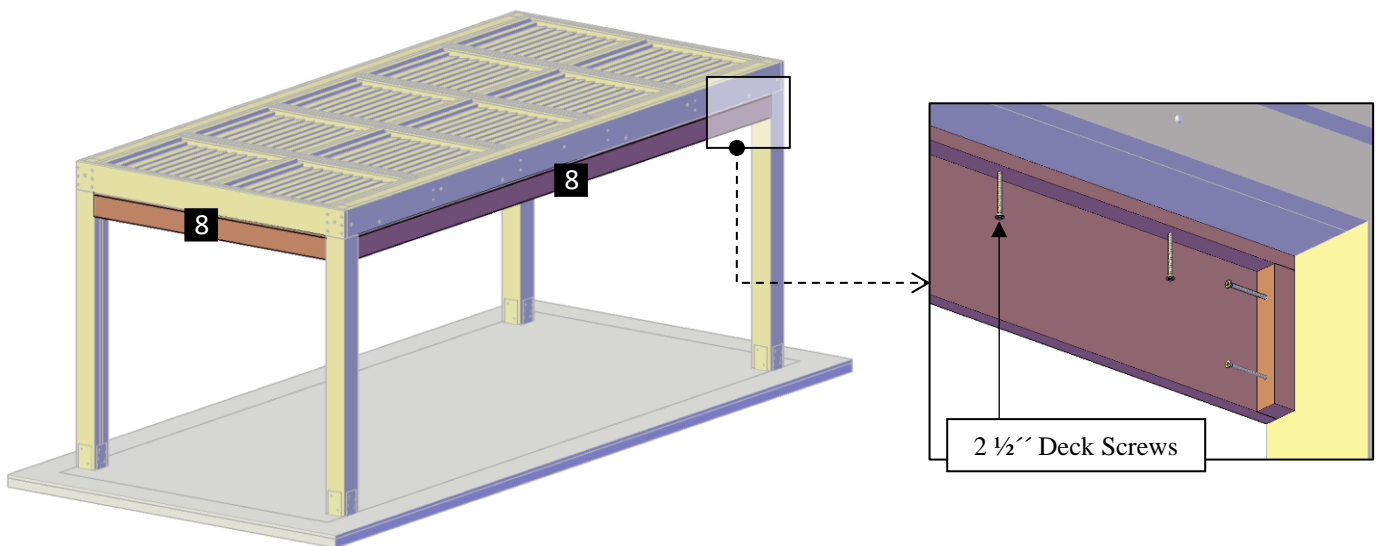
Step 6: Use 3/8'' x 12'' lag bolts (F) with washers (I) to attach the central supports (6) to the long supports. Each part has a series of numbers that indicate where to attach the part with the corresponding number.



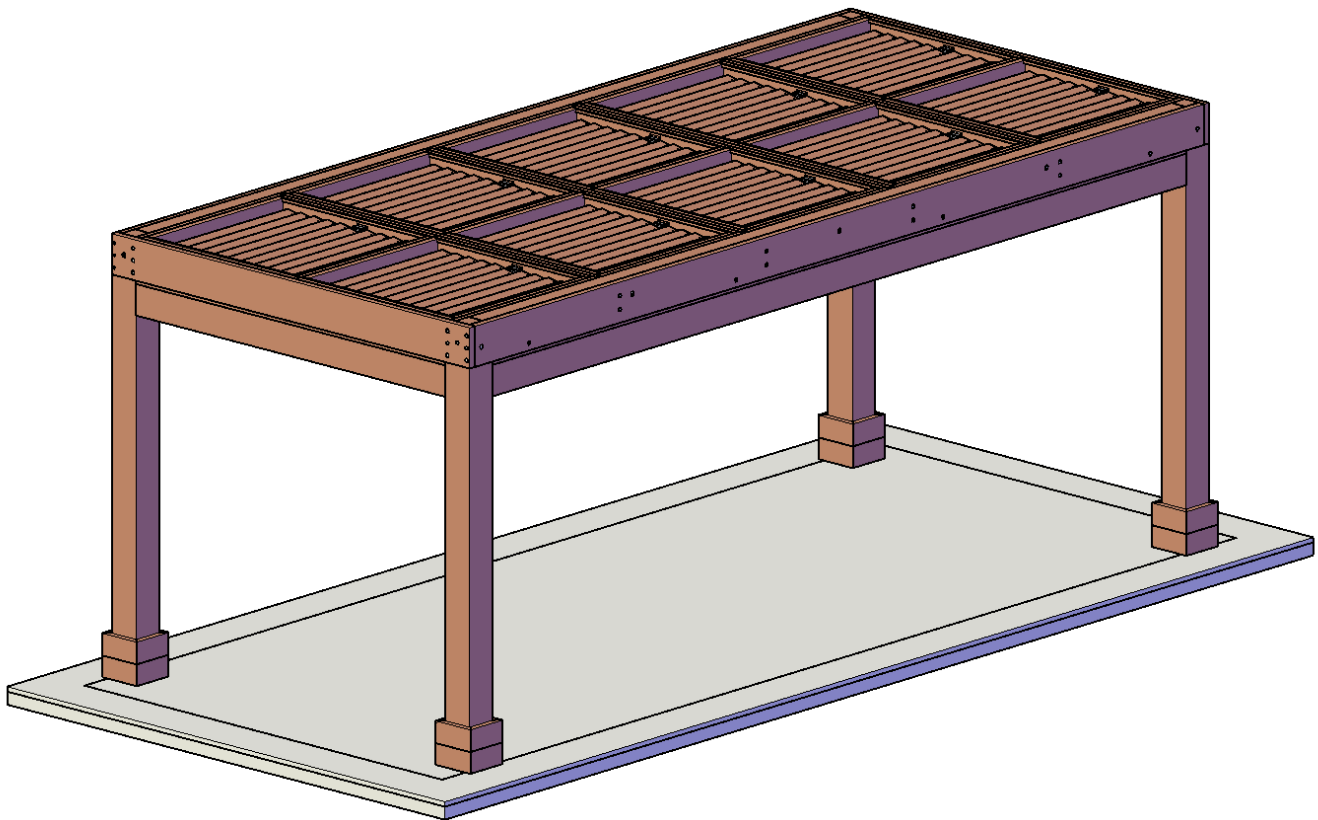
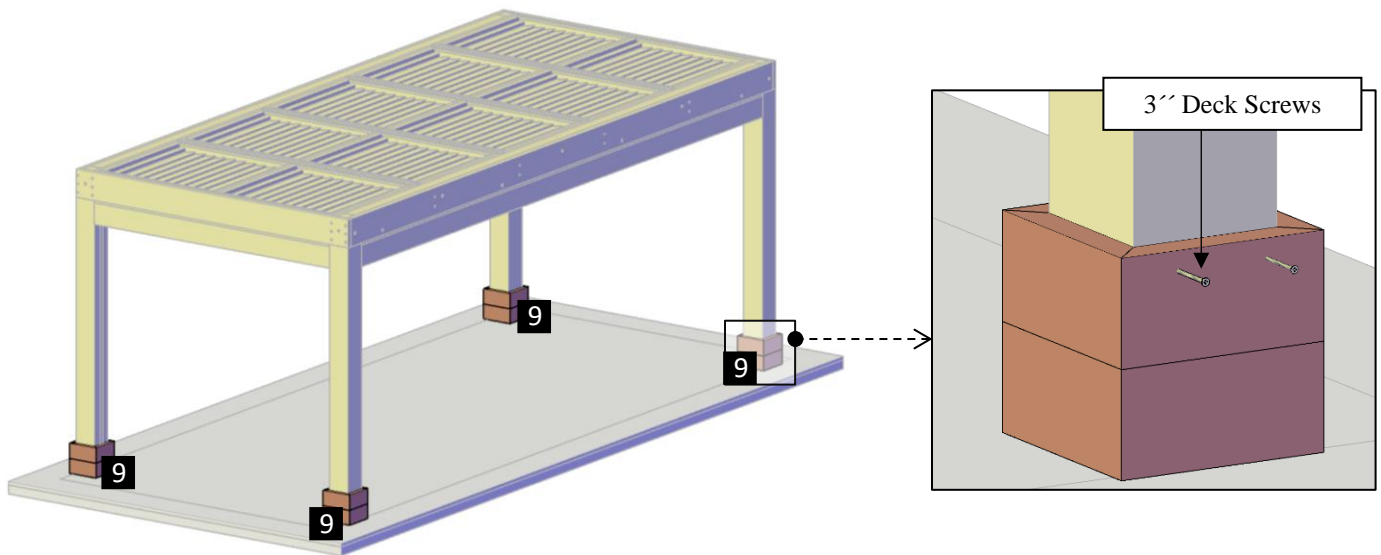
Step 7: Attach the louvered panels (7) to the supports with 5/16" x 2 1/2" lag bolts (G) with washers (I). Each part has a series of numbers that indicate where to attach the part with the corresponding number.



Step 8: Attach the curtain rod fascias (8) to the post and supports with 2 1/2" deck screws (H). Each part has a series of numbers that indicate where to attach the part with the corresponding number.



Step 9: Use 3" deck screws (E) to attach the boots (9) to the post. Each part has a series of numbers that indicate where to attach the part with the corresponding number.

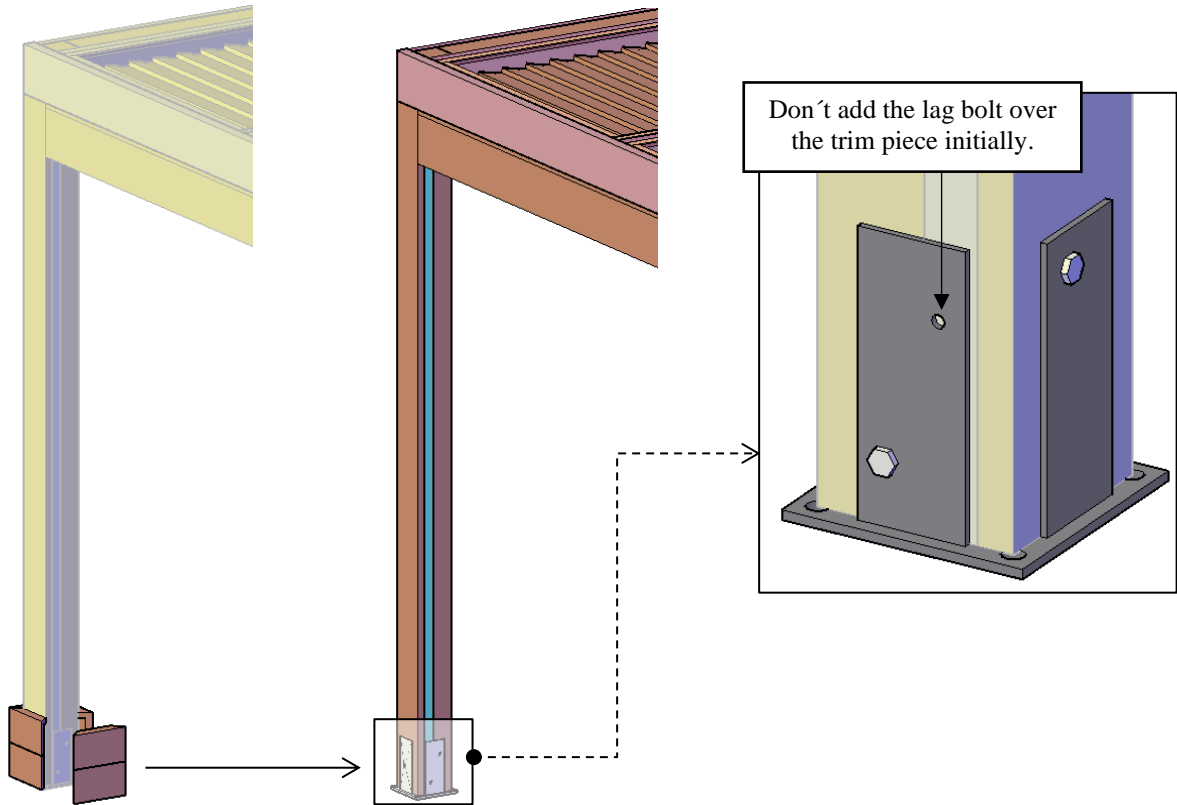




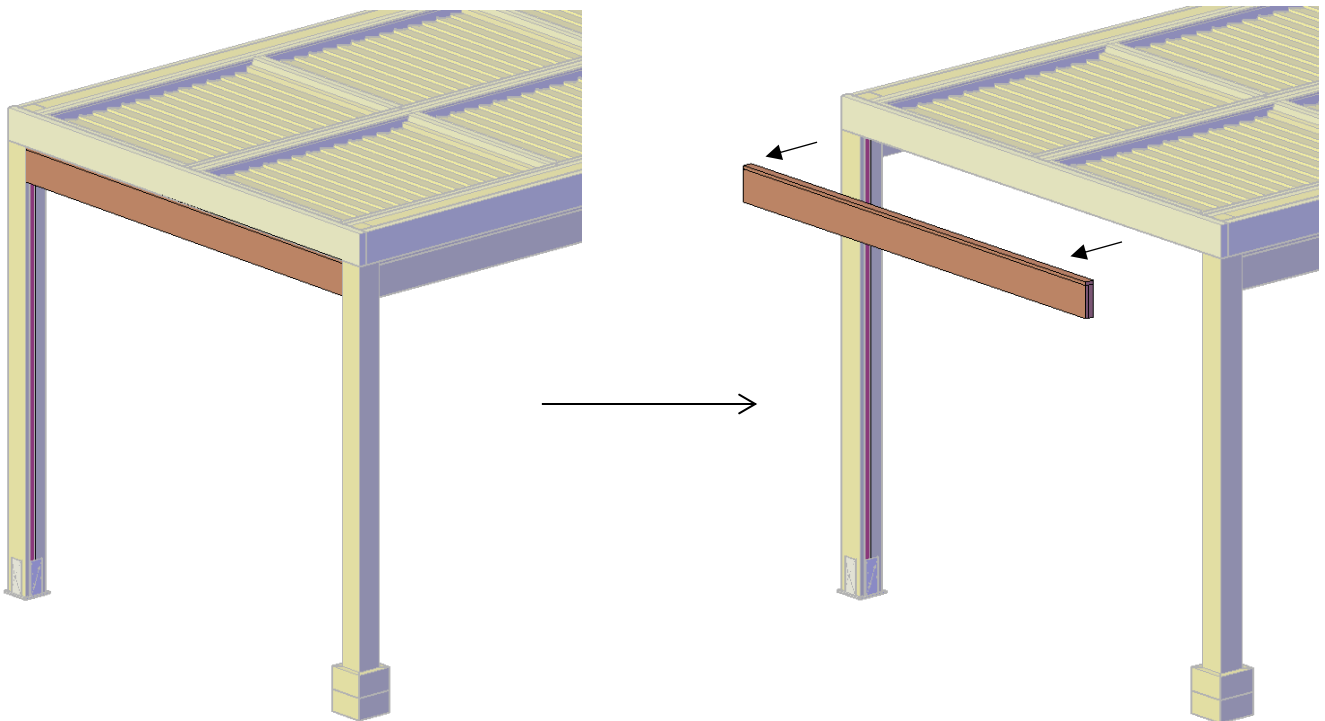
This completes the Pergola assembly. Hope you enjoy your set for many decades. If you ever have a problem or a question, don't hesitate to call us (866 332 2403) or email us. We are here to support you.

HOW TO REMOVE THE ELECTRICAL WIRING TRIM FROM THE POST:

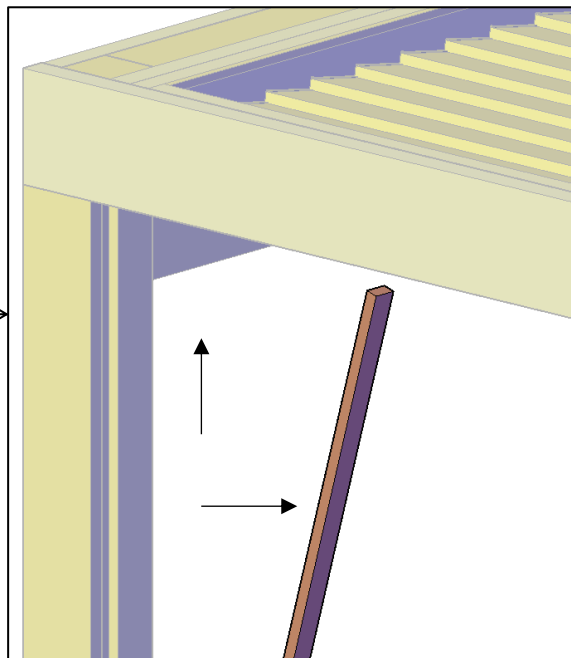
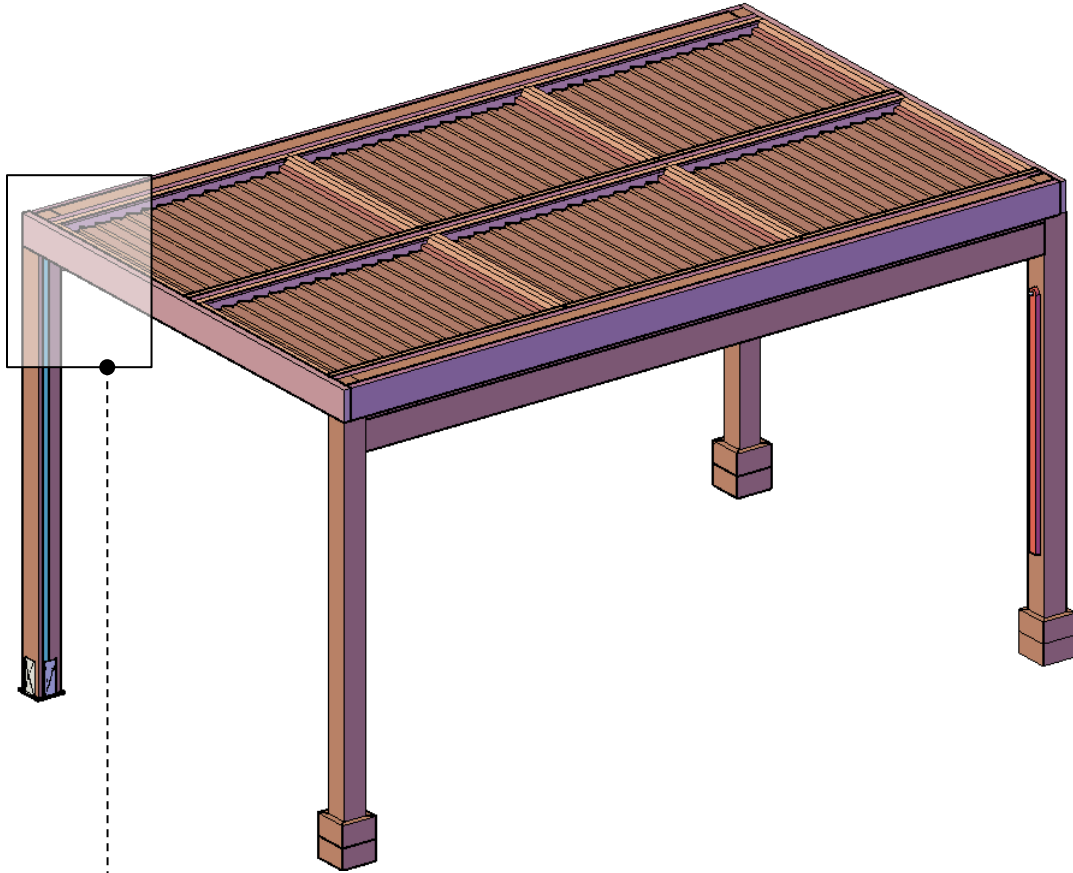
Step 1: First remove the deck screws to remove the boots of the post.



Step 2: Remove the Curtain Rod Fascia of the Pergola.



Step 3: Remove the trim.



Note: The dimensions of the trim are standard, adjust if necessary.