



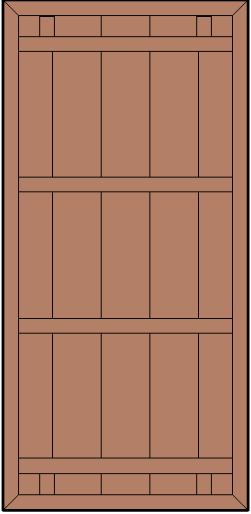
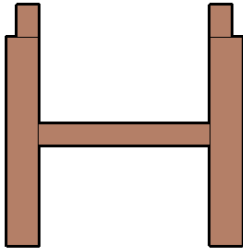
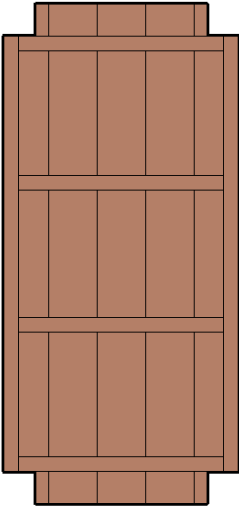
FOREVER REDWOOD

From the Forest, For the Forest since 1995

866.332.2403 (TOLL FREE); 7am – 7pm Pacific Time, Monday-Saturday

ASSEMBLY INSTRUCTIONS FOR THE **OUTDOOR TABLE WITH BUILT IN GRILL**

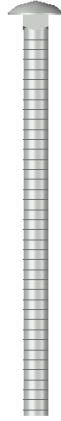
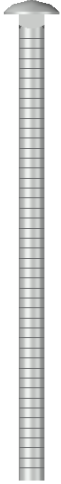


CONTENT OF BOXES			
Qty.	Description	Drawing	No.
1	Tabletop		1
2	Legs		2
1	Shelf		3

Note: Part numbers in the Content of Boxes Table are for reference only. These do not match to the numbers marked on the parts sent.

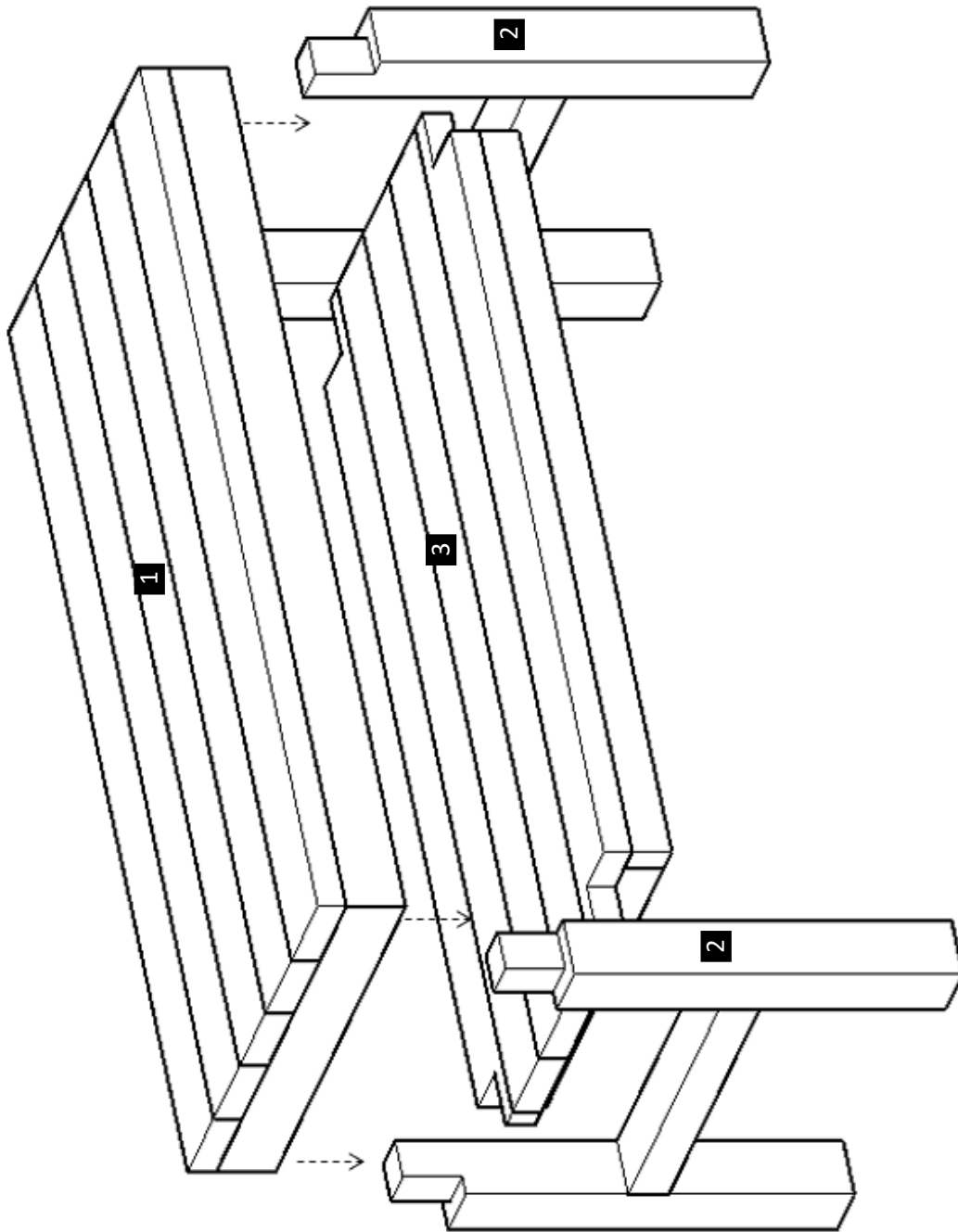


HARDWARE LIST	
Description	No.
Description 3/8'' X 7'' Bolts (To attach the legs to the tabletop).	A
Description 3/8'' X 6'' Bolts (To attach the legs to the shelf).	B



Note: Dimensions of your hardware will vary depending on size.

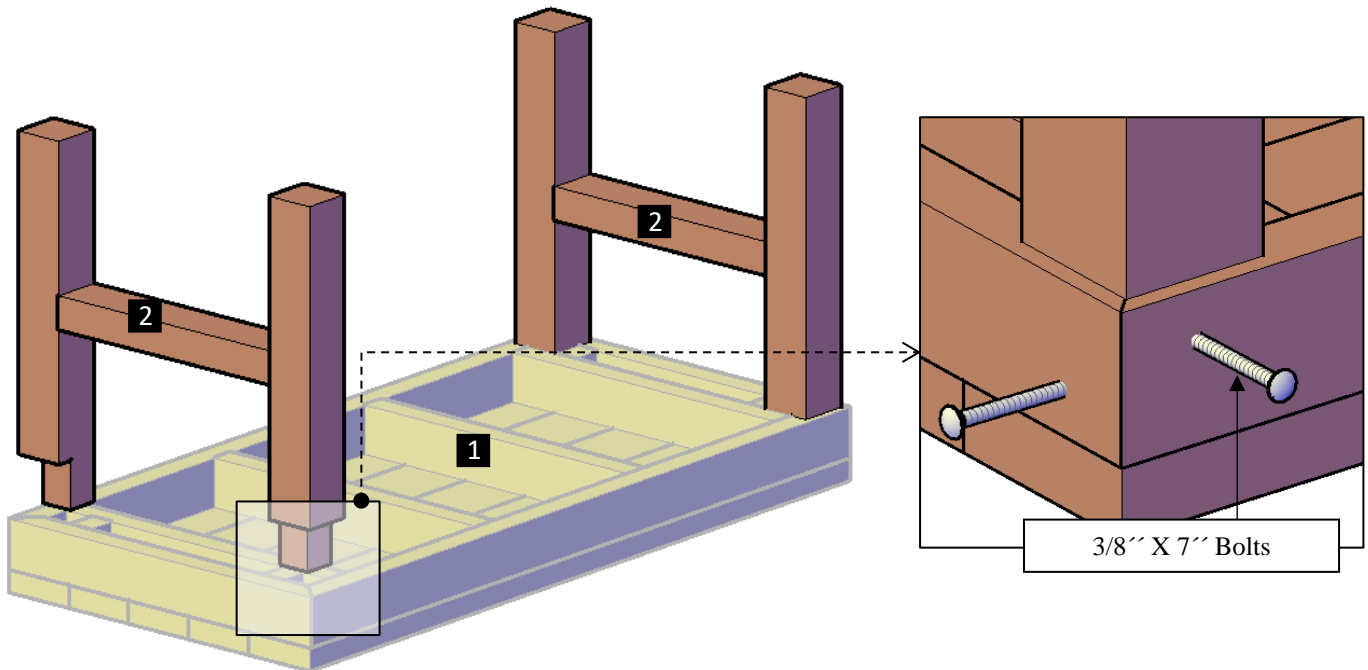




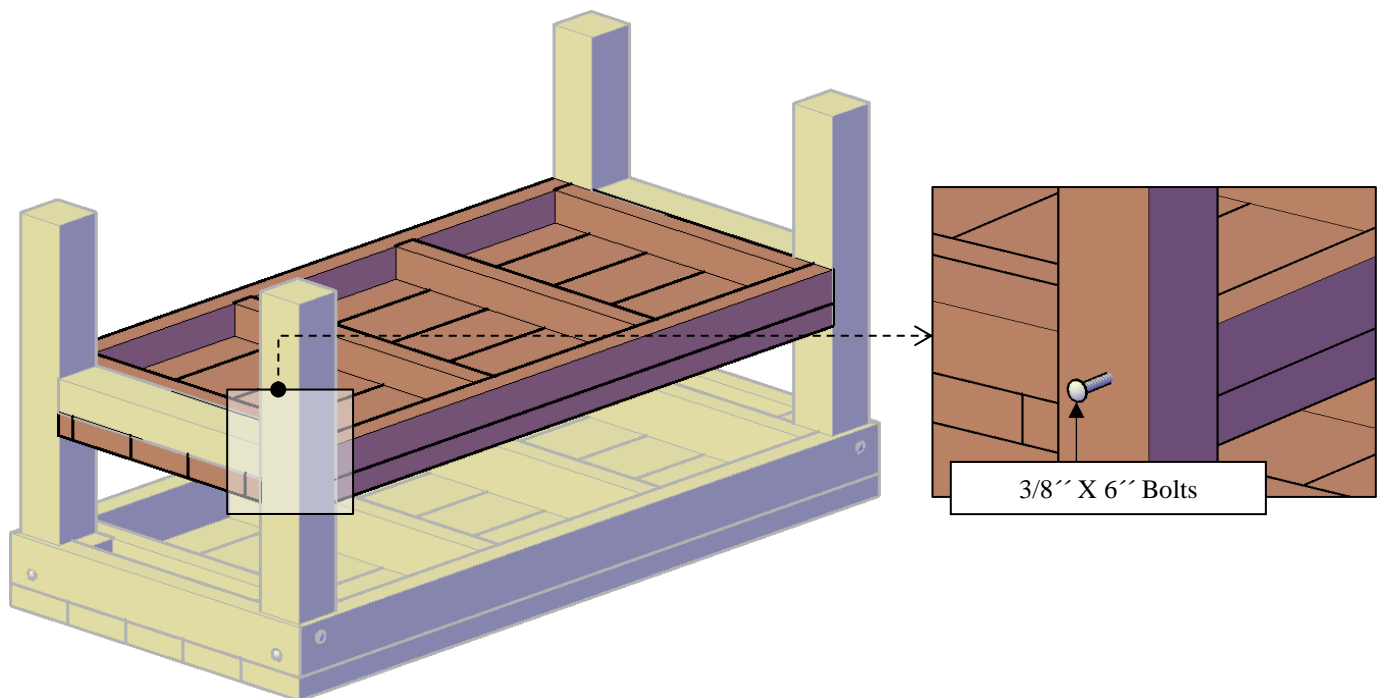
DESCRIPTION	No
Tabletop	1
Legs	2
Shelf	3

Note: Part numbers in the Drawing are for reference only. These do not match to the numbers marked on the parts sent.

Step 1: Place the tabletop upside down. After that, use 3/8" x 7" bolts (A) to attach the legs (2) to the tabletop (1). Each part has a series of numbers that indicate where to attach the part with the corresponding number.



Step 2: Attach the shelf (3) to the legs with 3/8" X 6" bolts (B). Each part has a series of numbers that indicate where to attach the part with the corresponding number.



Step 3: Finally, turn the table over its feet.



This completes the Table assembly. Hope you enjoy your set for many decades. If you ever have a problem or a question, don't hesitate to call us (866 332 2403) or email us. We are here to support you.