



FOREVER REDWOOD

From the Forest, For the Forest since 1995

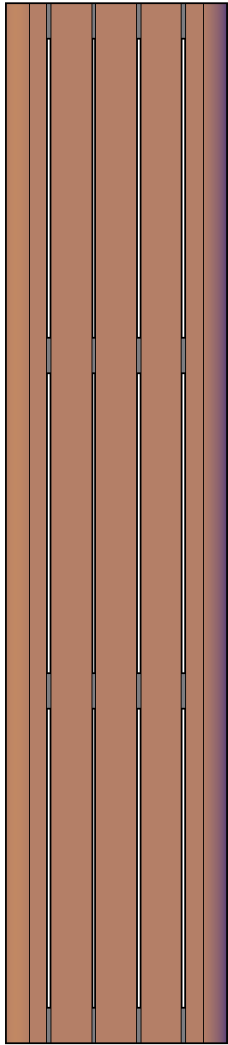
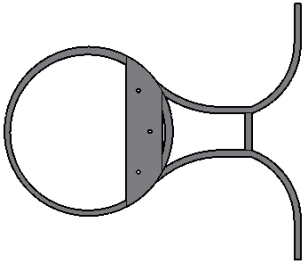
866.332.2403 (TOLL FREE); 7am – 7pm Pacific Time, Monday-Saturday

ASSEMBLY INSTRUCTIONS FOR THE **PETE'S BENCH**





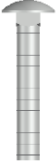



CONTENT OF BOXES

Qty.	Description	Drawing	No.
1	Bench Seat		1
2	Legs		2

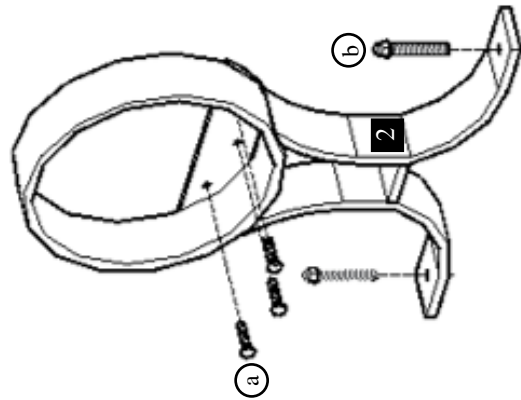
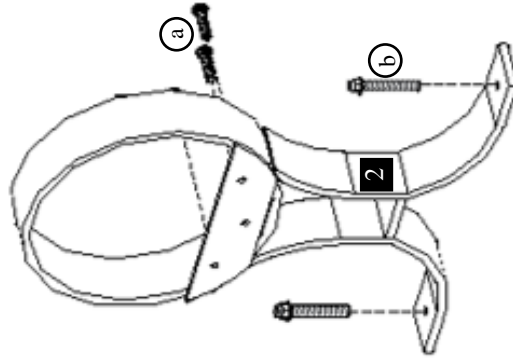
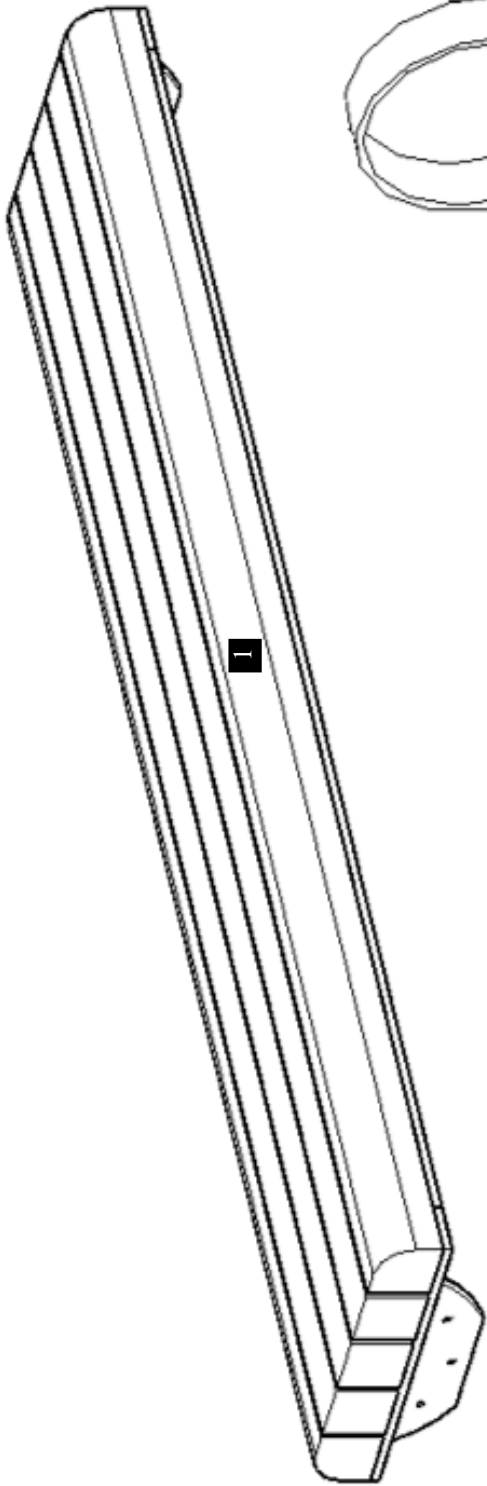
Note: Part numbers in the Content of Boxes Table are for reference only. These do not match to the numbers marked on the parts sent.



CONTENT OF BOXES

Qty.	Description	Drawing	No.
6	5/16" x 2" Bolts (To attach the bench seat to the legs).		a
4	1/2" x 4" Anchor Bolts (To attach the legs to the ground).		b
6	Neoprene Nuts		c
6	Washers		d

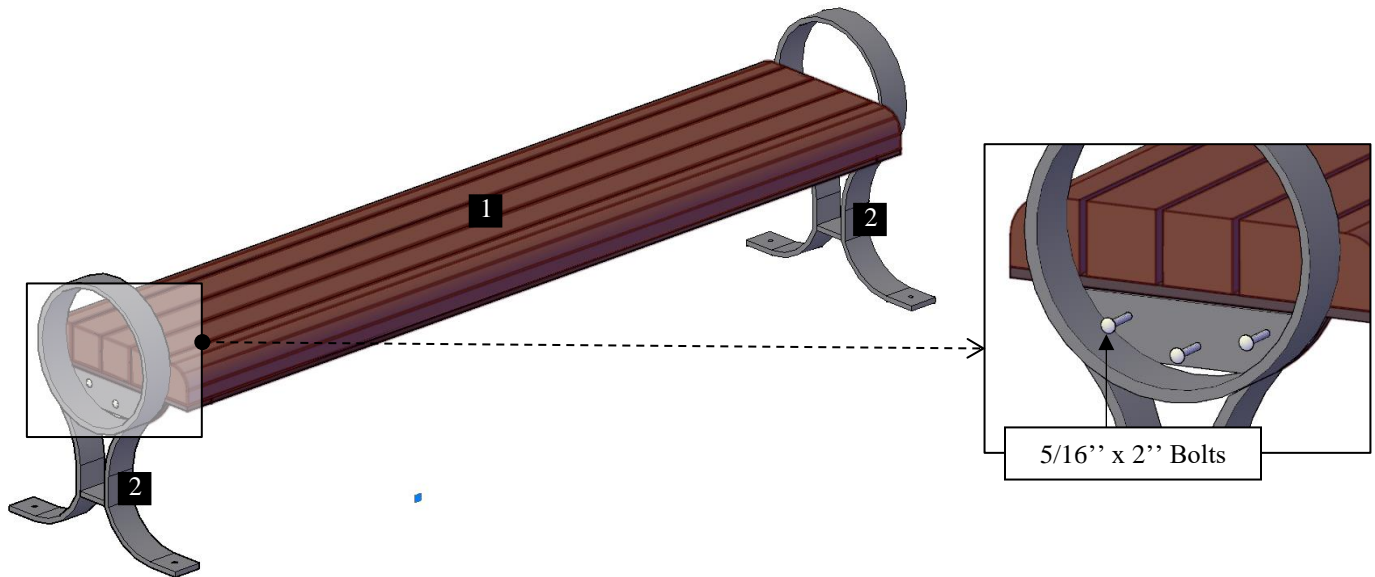
Note: Dimensions of your hardware will vary depending on size.



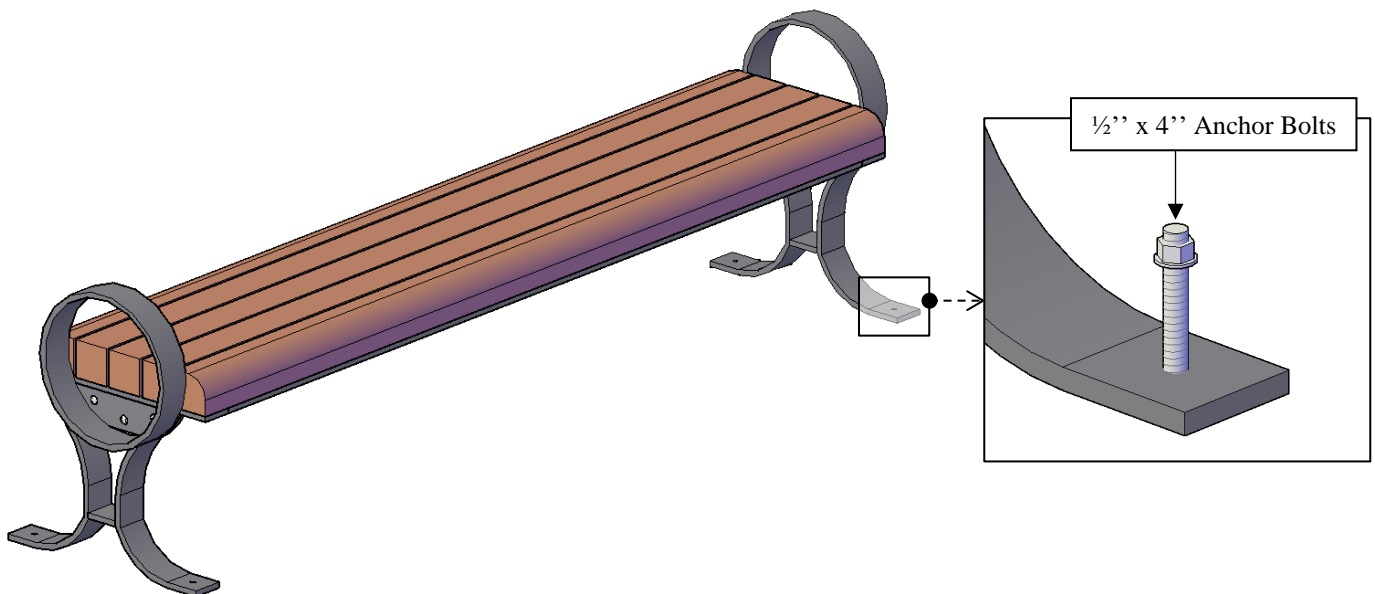
DESCRIPTION	No.
Bench Seat	1
Legs	2
5/16" x 2" Bolts	a
1/2" X 4" Anchor Bolts	b

Note: Part numbers in the Drawing are for reference only. These do not match to the numbers marked on the parts sent.

Step 1: Use 5/16" x 2" bolts (a), neoprene nuts (c) and washers (d) to attach the bench seat (1) to the legs (2). Each part has a series of numbers that indicate where to attach the part with the corresponding number.



Step 2: Finally, attach the legs to the ground with 1/2" x 4" anchor bolts (b).





This completes the Bench Assembly. Hope you enjoy your set for many decades. If you ever have a problem or a question, don't hesitate to call us (866 332 2403) or email us. We are here to support you.