



FOREVER REDWOOD

From the Forest, For the Forest since 1995

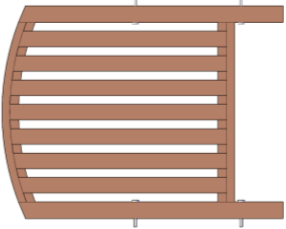
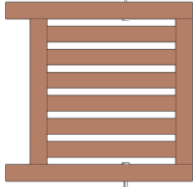
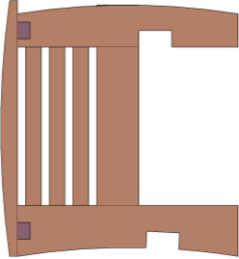


866.332.2403 (TOLL FREE); 7am – 7pm Pacific Time, Monday-Saturday

ASSEMBLY INSTRUCTIONS FOR THE **RECLINING REDWOOD EASY CHAIR**





CONTENT OF BOXES

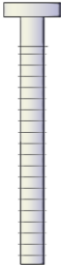
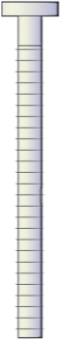
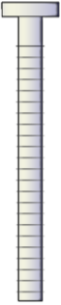
Qty.	Description	Drawing	No.
1	Backrest		1
1	Seat		2
2	Legs		3
2	Supports		4
2	Diagonal Supports		5

Note: Part numbers in the Content of Boxes Table are for reference only. These do not match to the numbers marked on the parts sent.



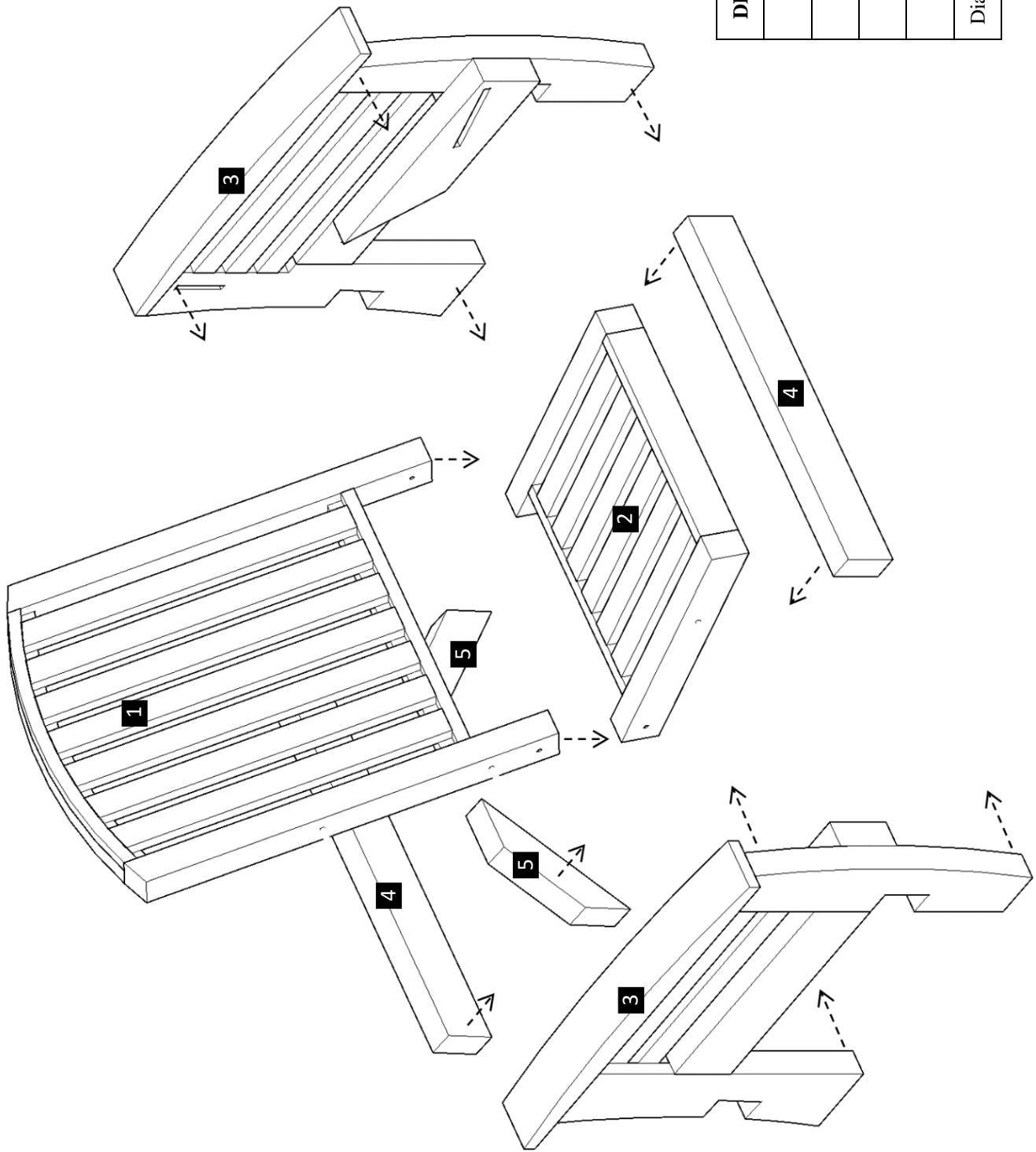


HARDWARE LIST

Description	Drawing	No.
5/16" X 3 1/2" Bolts (To attach the backrest to the seat. / To attach the diagonal supports to the supports).		A
5/16" X 4 1/2" Bolts (To attach the supports to the legs).		B
5/16" X 4" Bolts (To attach the diagonal supports to the legs).		C

Note: Dimensions of your hardware will vary depending on size.



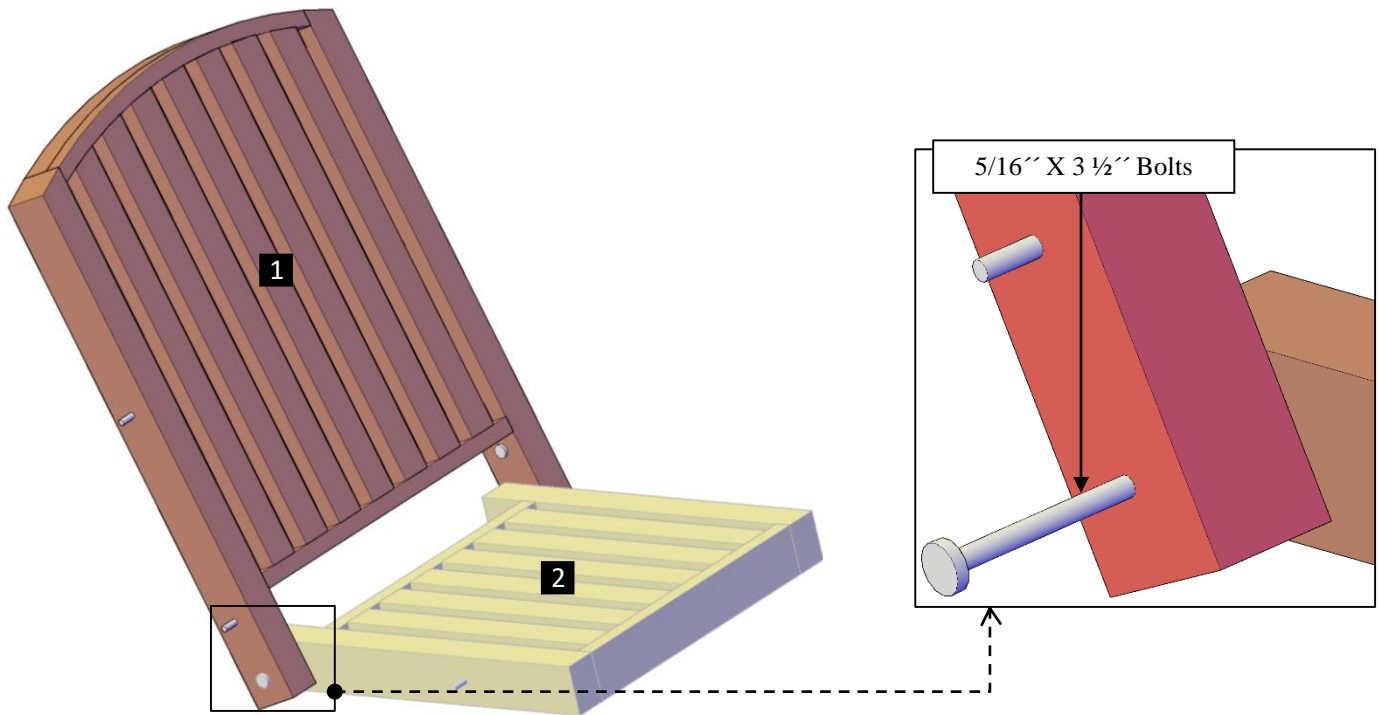


DESCRIPTION	No
Backrest	1
Seat	2
Legs	3
Supports	4
Diagonal Supports	5

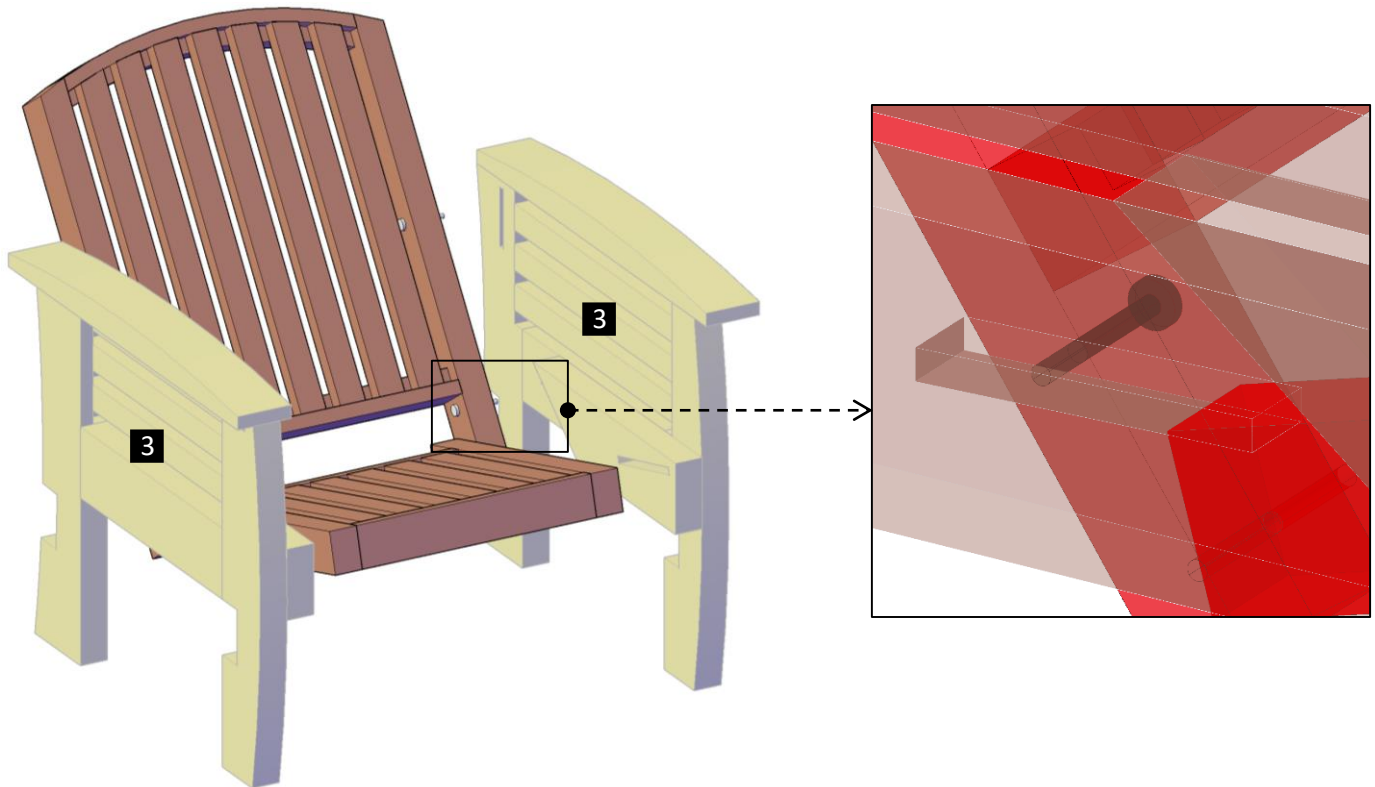
Note: Part numbers in the Drawing are for reference only. These do not match to the numbers marked on the parts sent.



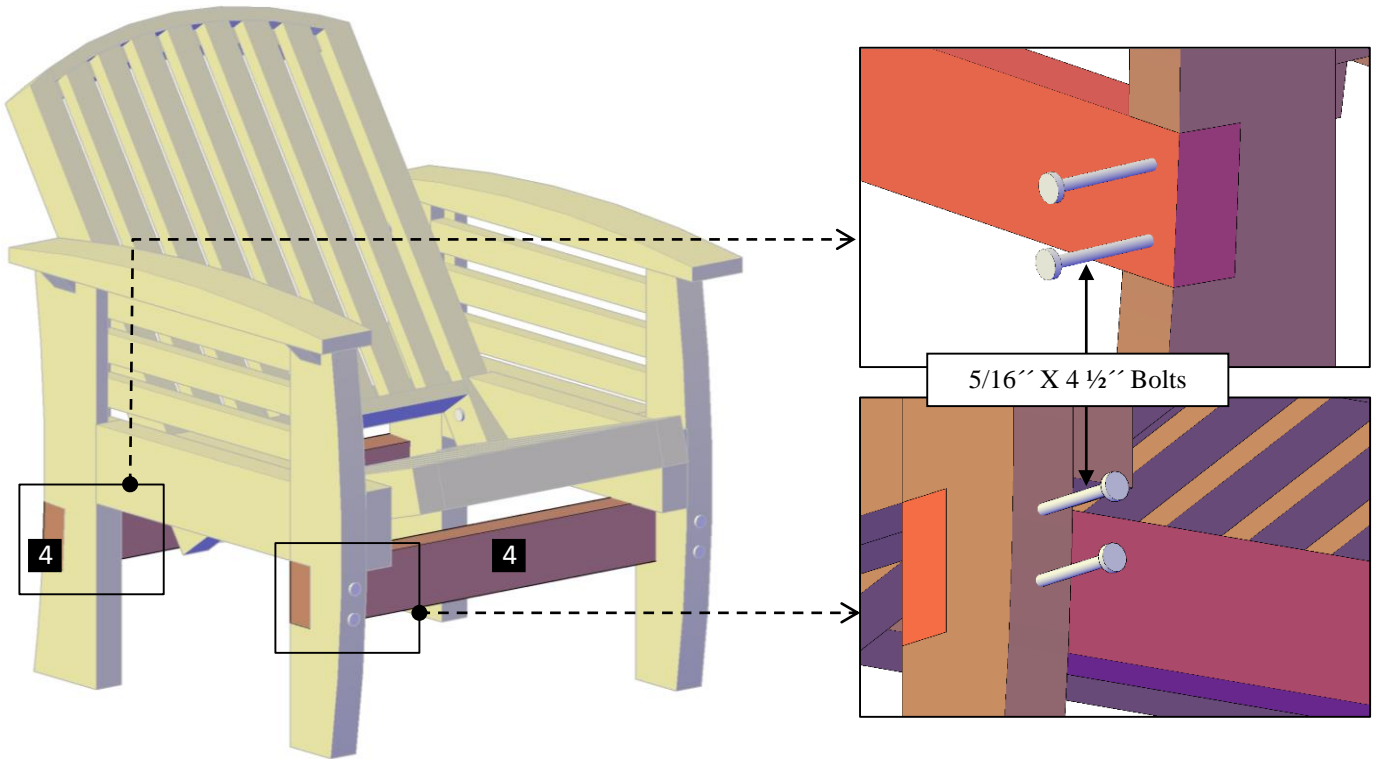
Step 1: Use 5/16" x 3 1/2" bolts (A) to attach the backrest (1) to the seat (2). Each part has a series of numbers that indicate where to attach the part with the corresponding number.



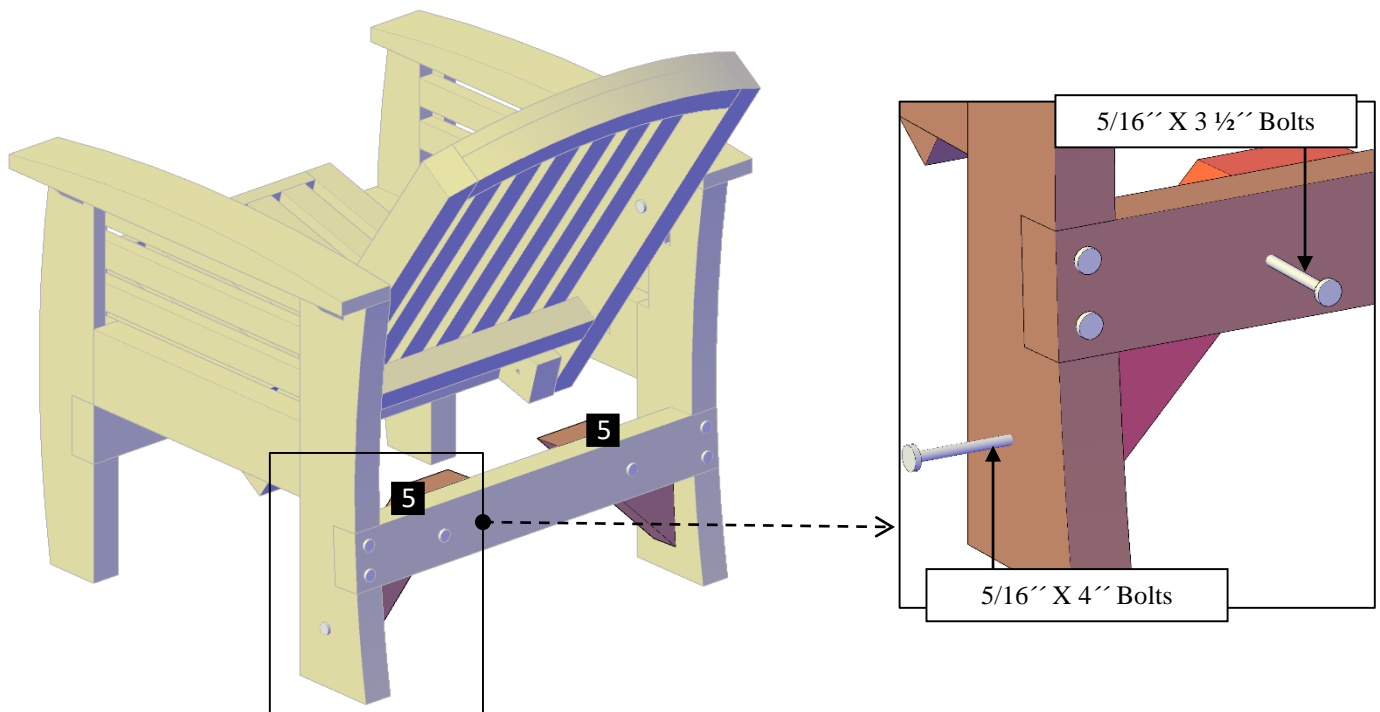
Step 2: Insert the seat and backrest bolts into the predrilled cut outs on the legs (3). Attach one leg first, after that, attach the other leg. Each part has a series of numbers that indicate where to attach the part with the corresponding number.



Step 3: Attach the supports (4) to the legs with 5/16" x 4 1/2" bolts (B). Each part has a series of numbers that indicate where to attach the part with the corresponding number.



Step 4: Finally, attach the diagonal supports (5) to the supports with 5/16" x 3 1/2" bolts (A) and to the legs with 5/16" x 4" bolts (C). Each part has a series of numbers that indicate where to attach the part with the corresponding number.





This completes the Chair Assembly. Hope you enjoy your set for many decades. If you ever have a problem or a question, don't hesitate to call us (866 332 2403) or email us. We are here to support you.