



FOREVER I REDWOOD

From the Forest, For the Forest since 1995

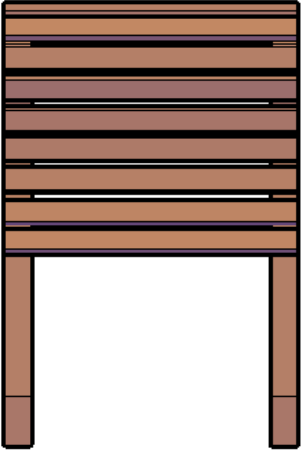
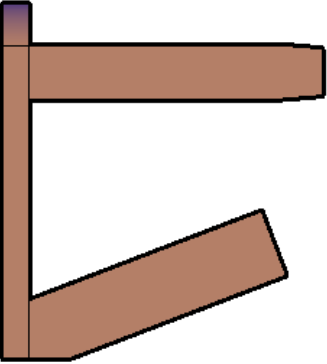
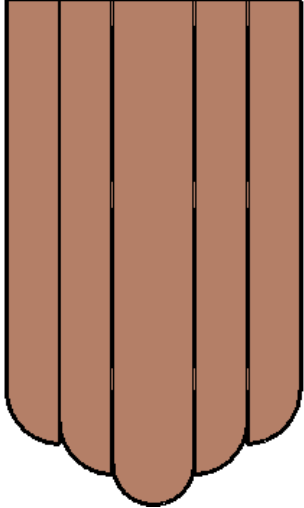
866.332.2403 (TOLL FREE); 7am – 7pm Pacific Time, Monday-Saturday

ASSEMBLY INSTRUCTIONS FOR THE **REDWOOD ADIRONDACK CHAIR**



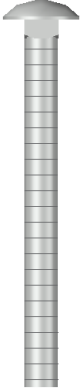


CONTENT OF BOXES

Qty.	Description	Drawing	No.
1	Seat		1
2	Legs		2
1	Back Rest		3

Note: Part numbers in the Content of Boxes Table are for reference only. These do not match to the numbers marked on the parts sent.



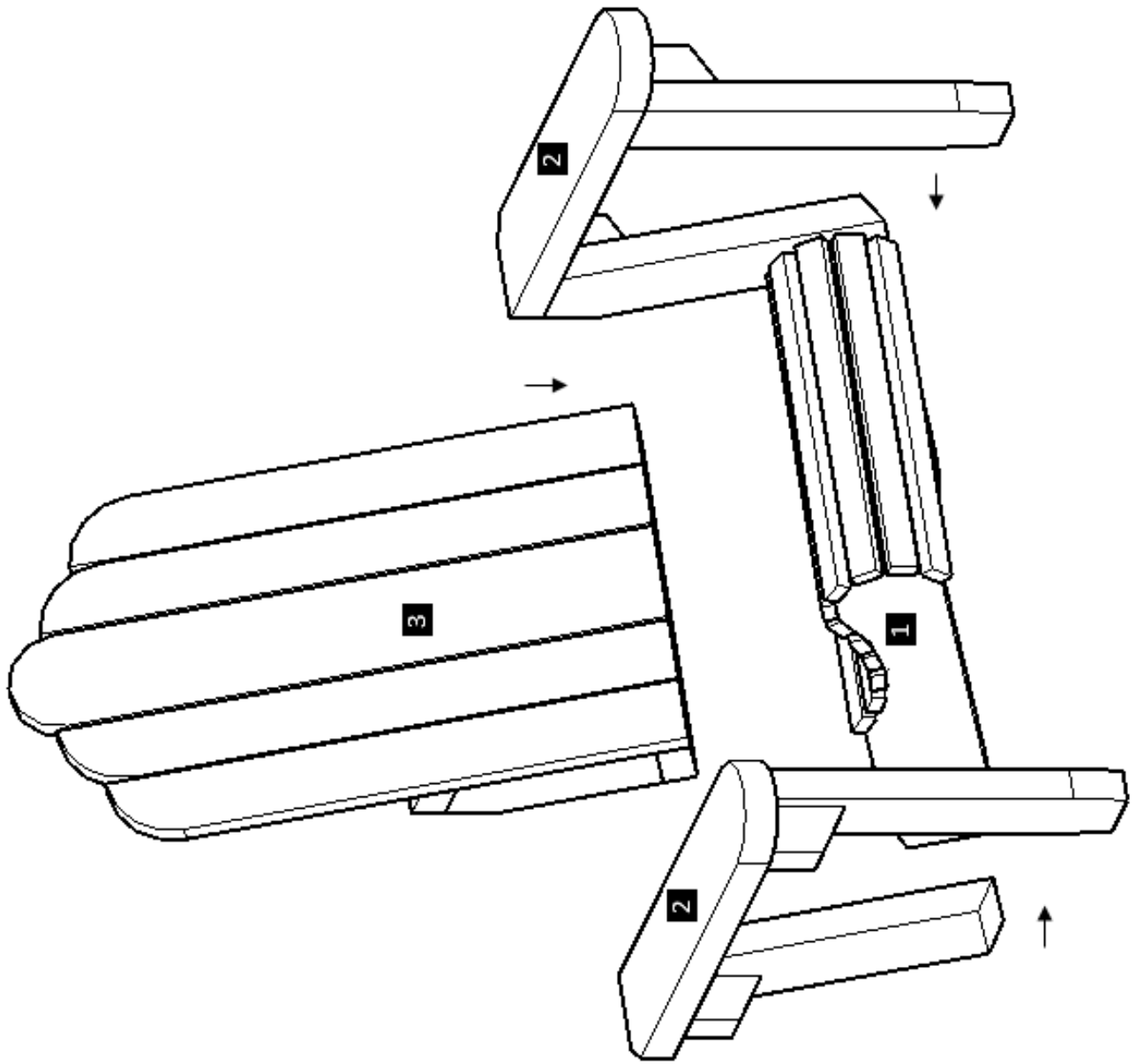
HARDWARE LIST		
Description	Drawing	No.
5/16" X 3 1/2" Bolts (To attach the seat to the legs. / To attach the legs to the backrest).		A

Note: Dimensions of your hardware will vary depending on size.



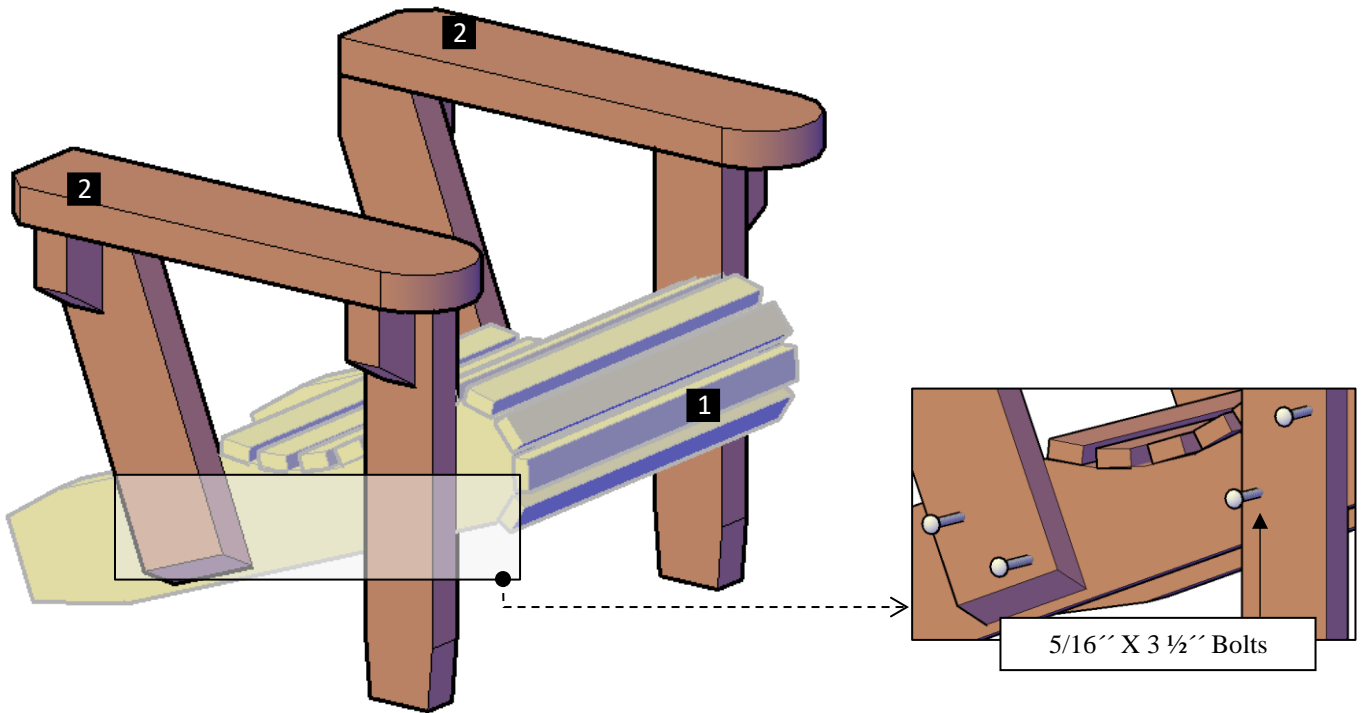


DESCRIPTION	No
Seat	1
Legs	2
Back Rest	3

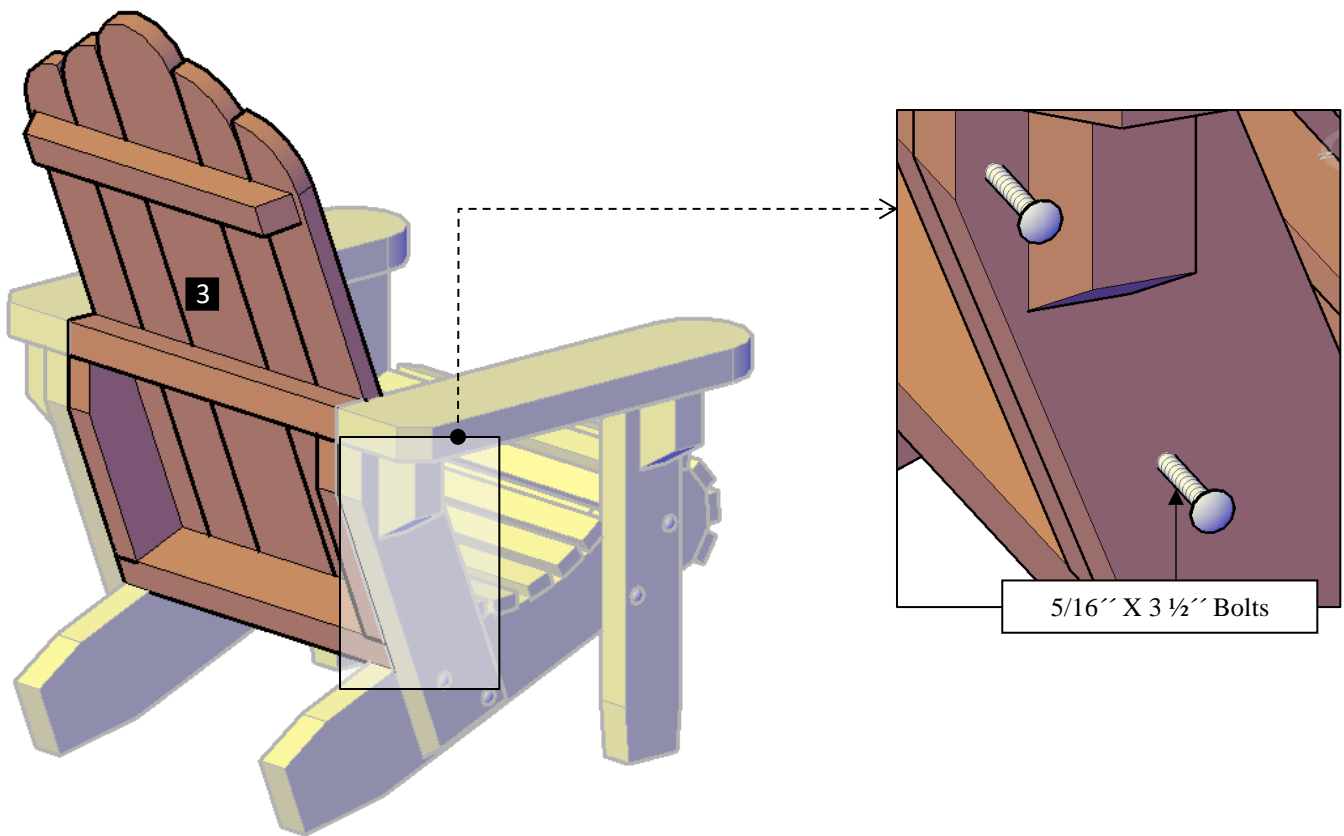


Note: Part numbers in the Drawing are for reference only. These do not match to the numbers marked on the parts sent.

Step 1: Place the seat (1) on the ground. After that, use 5/16" x 3 1/2" bolts (A) to attach the legs (2) to the seat (1). Each part has a series of numbers that indicate where to attach the part with the corresponding number.



Step 2: Use 5/16" x 3 1/2" bolts (A) to attach the backrest (3) to the legs. Each part has a series of numbers that indicate where to attach the part with the corresponding number.





This completes the Adirondack Chair assembly. Hope you enjoy your set for many decades. If you ever have a problem or a question, don't hesitate to call us (866 332 2403) or email us. We are here to support you.