



FOREVER REDWOOD

From the Forest, For the Forest since 1995

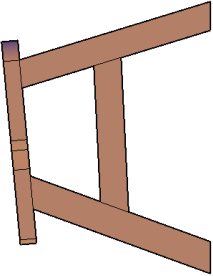
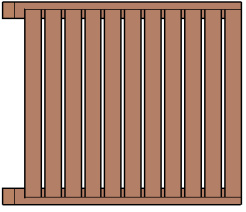
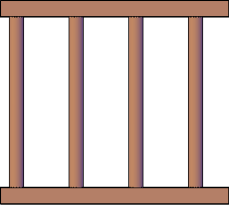
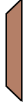

866.332.2403 (TOLL FREE); 7am – 7pm Pacific Time, Monday-Saturday

ASSEMBLY INSTRUCTIONS FOR THE ROBIN'S RETRO PATIO CHAIR





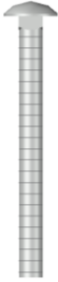
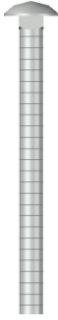
CONTENT OF BOXES

CONTENT OF BOXES			
Qty.	Description	Drawing	No.
2	Legs		1
1	Seat		2
1	Backrest		3
2	Diagonal Supports		4
2	Cushions If ordered.		5

Note: Part numbers in the Content of Boxes Table are for reference only. These do not match to the numbers marked on the parts sent.



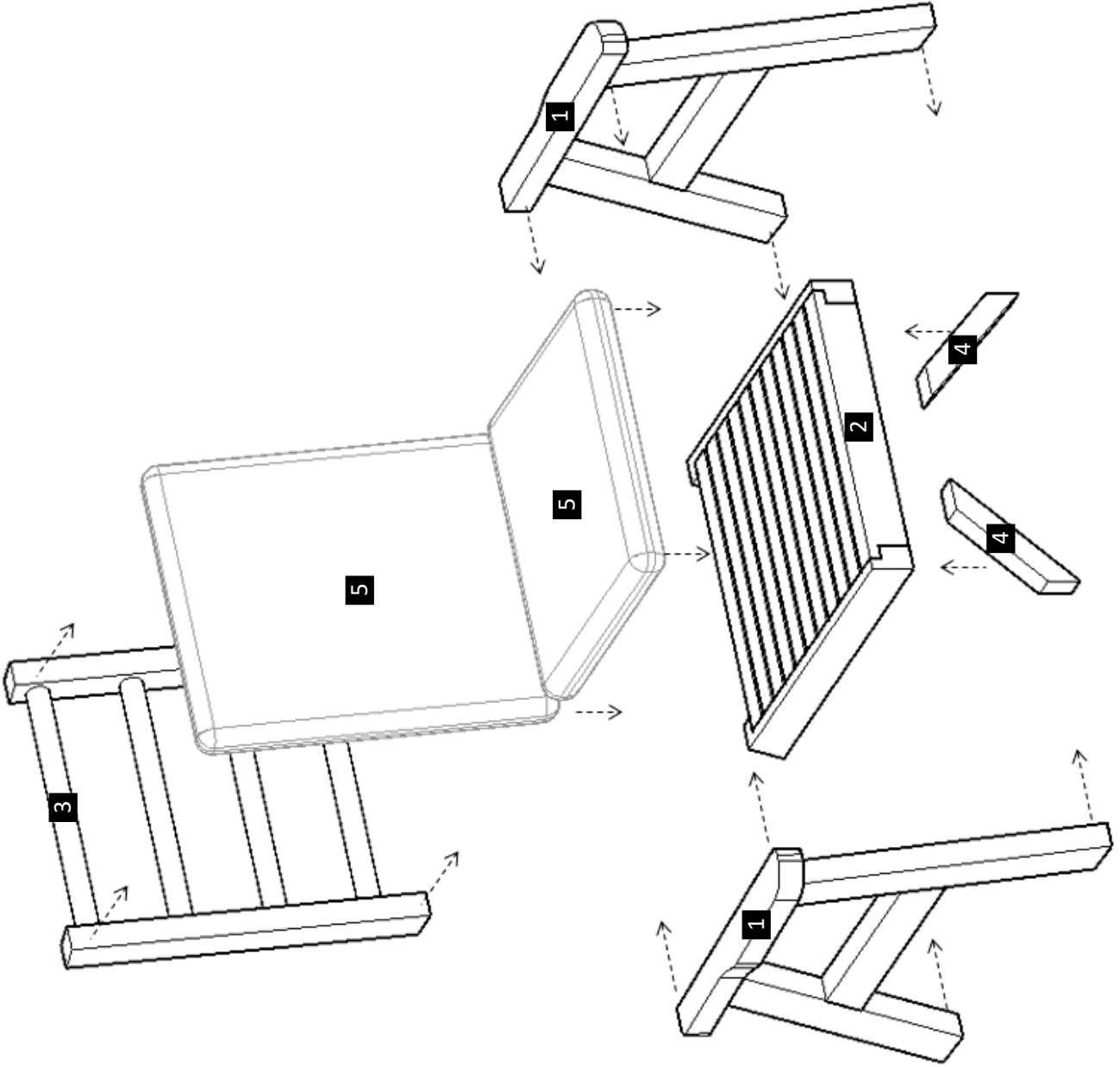


HARDWARE		
Description	Drawing	No.
5/16'' X 3 1/2'' Bolts (To attach the seat and the backrest to the legs, / To attach the diagonal supports to the leg and to the seat).		A
5/16'' X 4'' Bolts (To attach the backrest to the legs).		B

Note: Dimensions of your hardware will vary depending on size.



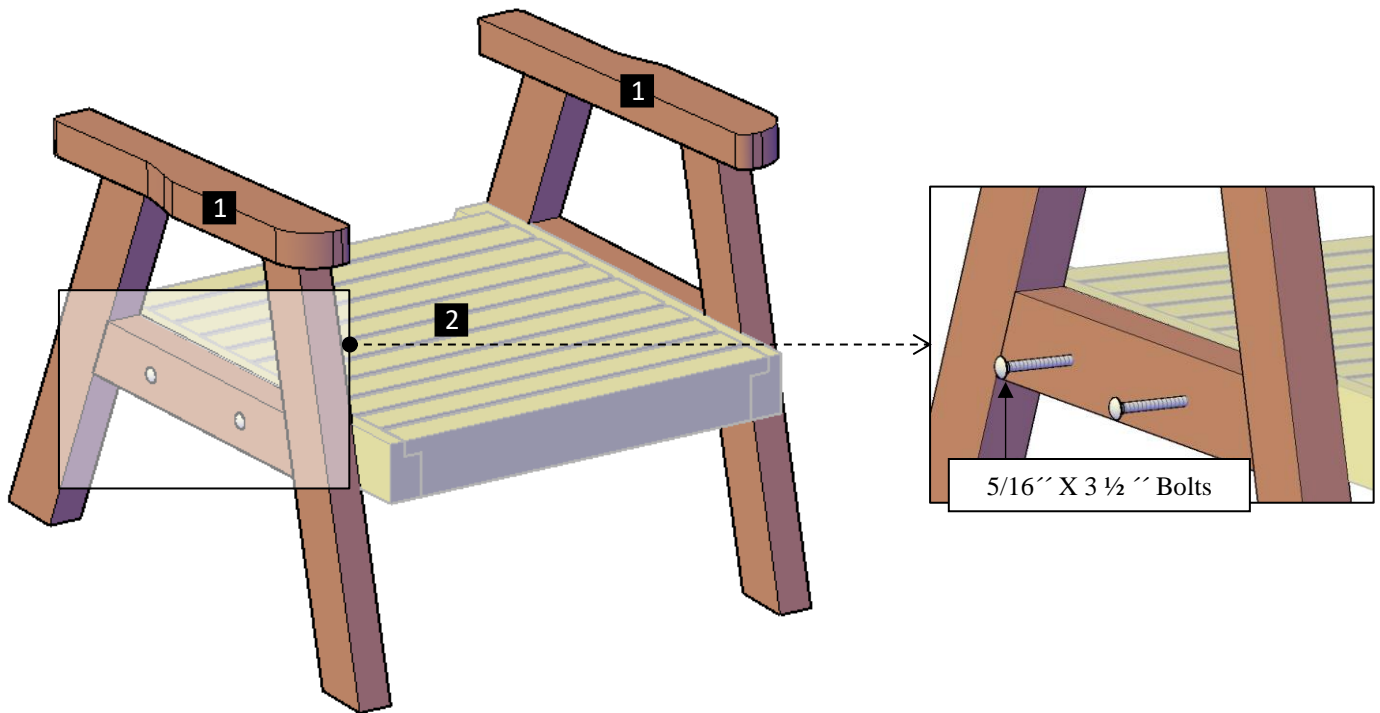
DESCRIPTION	No
Legs	1
Seat	2
Backrest	3
Diagonal Supports	4
Cushions	5



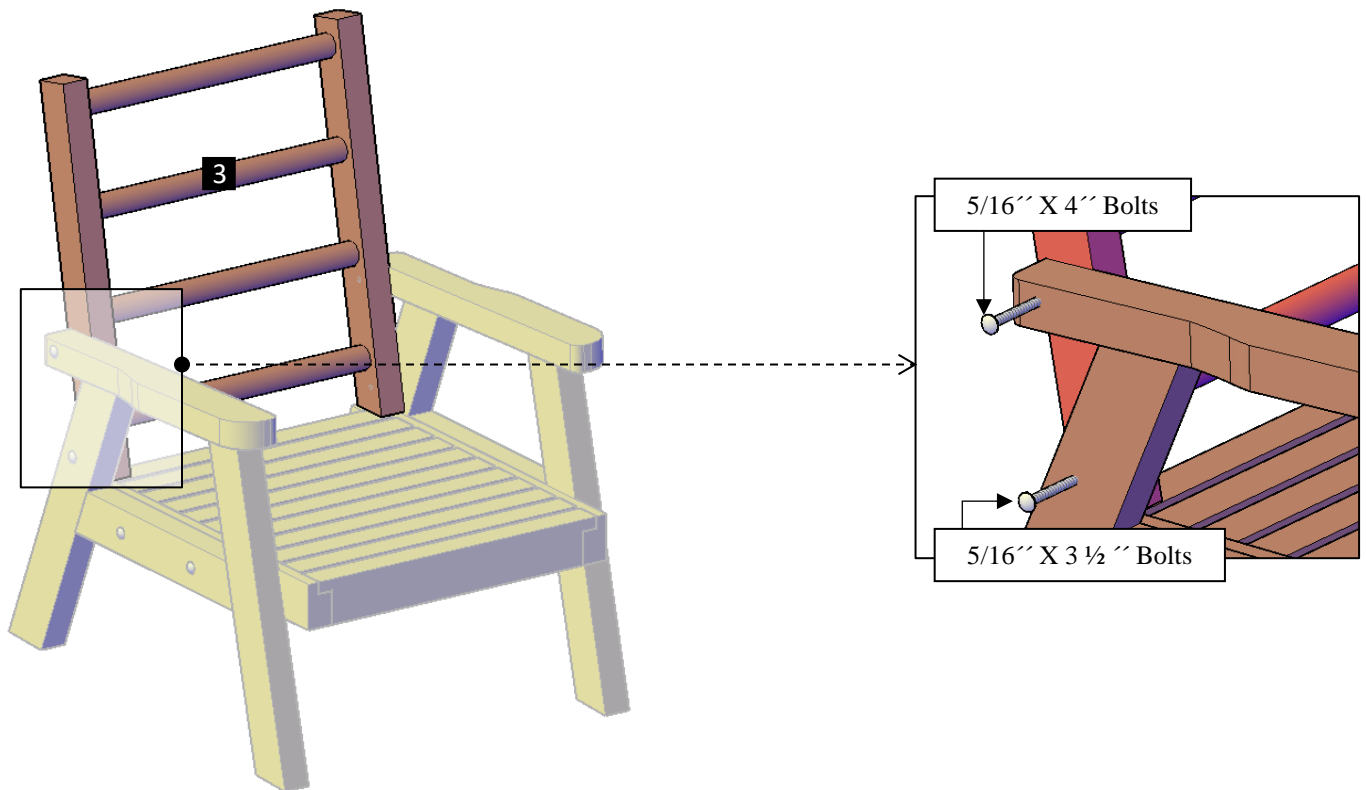
Note: Part numbers in the Drawing are for reference only. These do not match to the numbers marked on the parts sent.



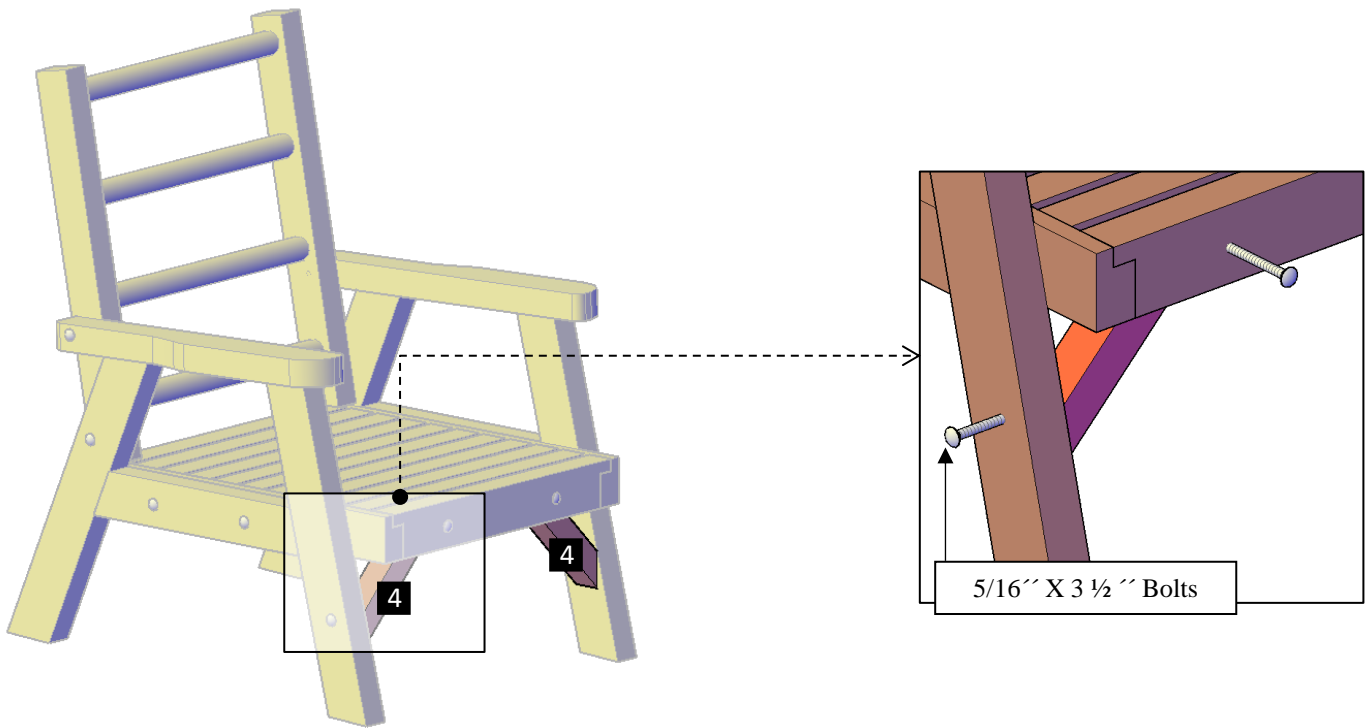
Step 1: Attach the Legs (1) to the seat (2) with 5/16" X 3 1/2" bolts (A). Each part has a series of numbers that indicate where to attach the part with the corresponding number.



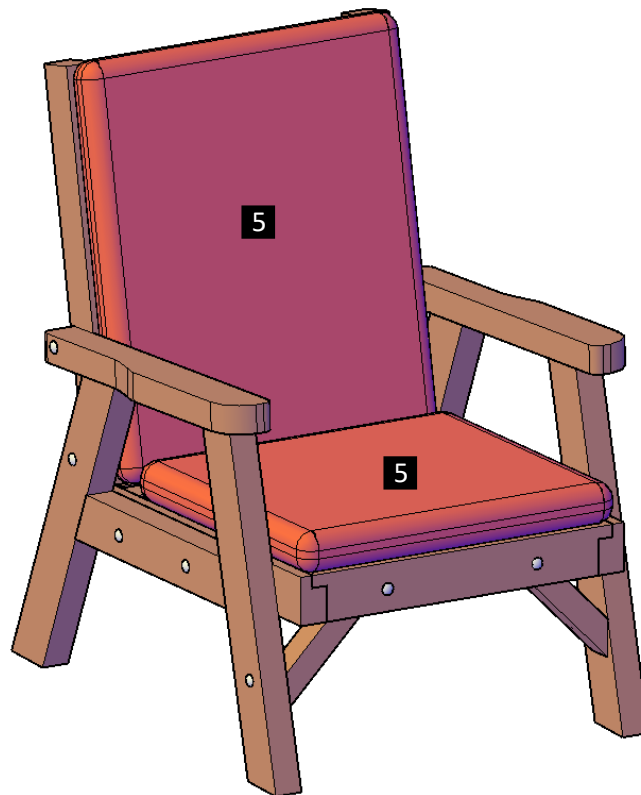
Step 2: Use 5/16" X 3 1/2" (A) bolts and 5/16" X 4" bolts (B) to attach the backrest (3) to the legs. Each part has a series of numbers that indicate where to attach the part with the corresponding number.



Step 3: Attach the diagonal supports (4) to the legs and to the seat with 5/16" X 3 1/2" bolts (A). Each part has a series of numbers that indicate where to attach the part with the corresponding number.



Step 4: Finally, place the cushions (5).





This completes the Chair assembly. Hope you enjoy your set for many decades. If you ever have a problem or a question, don't hesitate to call us (866 332 2403) or email us. We are here to support you.