



# FOREVER REDWOOD

*From the Forest, For the Forest since 1995*

---

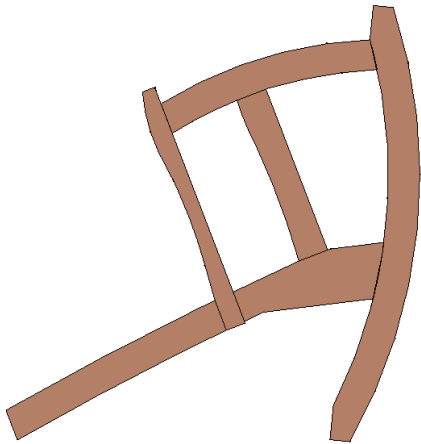
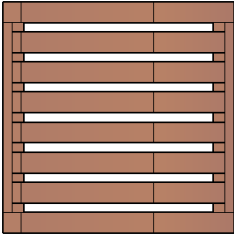
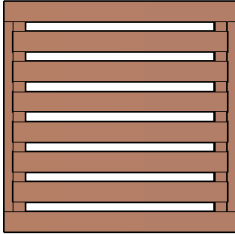


866.332.2403 (TOLL FREE); 7am – 7pm Pacific Time, Monday-Saturday

## ASSEMBLY INSTRUCTIONS FOR THE **RUTH REDWOOD ROCKER**





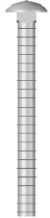
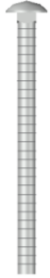


**CONTENT OF BOXES**

Qty.	Description	Drawing	No.
2	Legs		1
1	Seat		2
1	Backrest		3
1	Support		4
2	Diagonal Supports (Only for Tall Style)		5

*Note: Part numbers in the Content of Boxes Table are for reference only. These do not match to the numbers marked on the parts sent.*



**HARDWARE LIST**

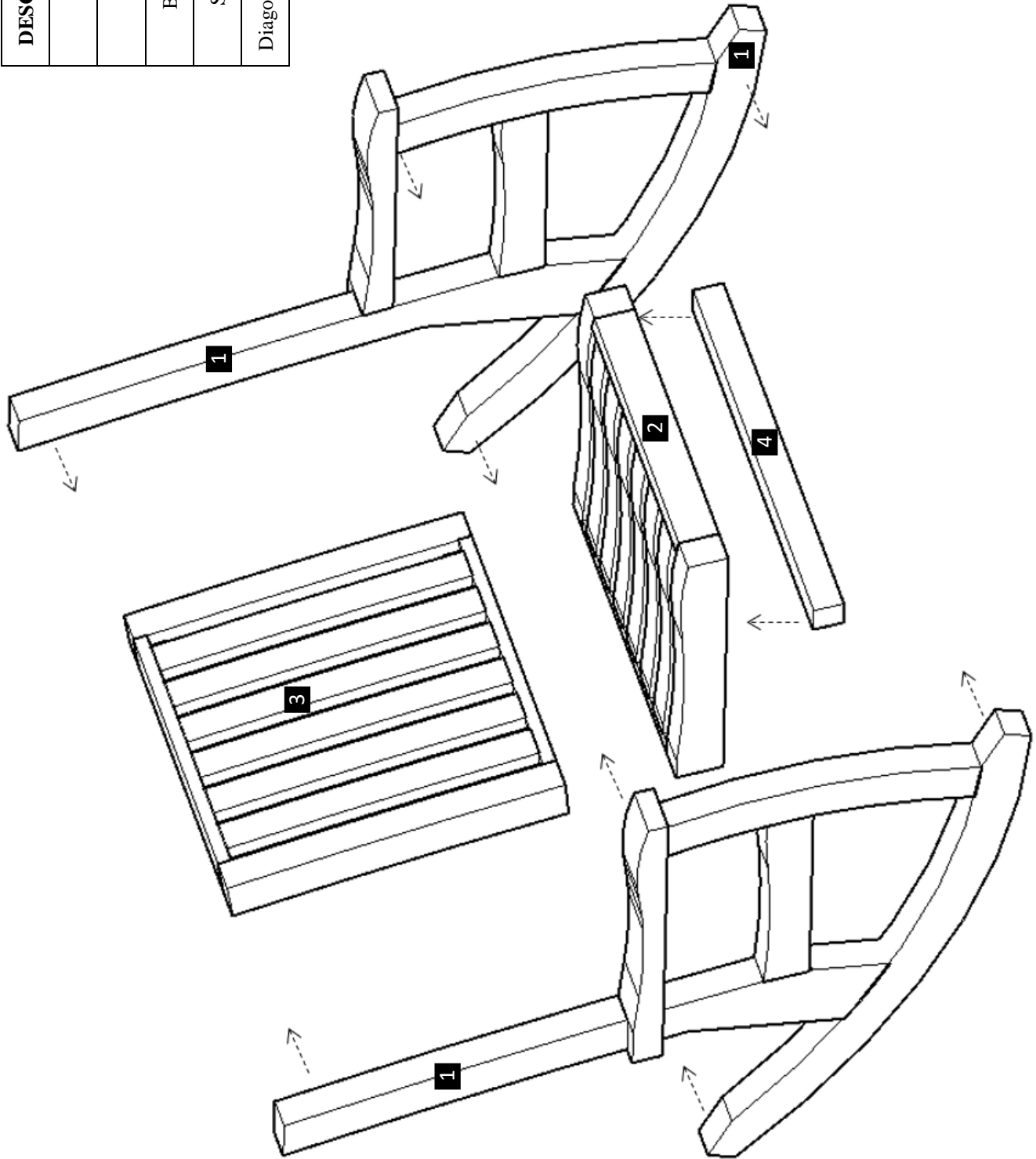
Description	Drawing	No.
5/16" X 3 1/2" Bolts (To attach the backrest and the seat to the legs. / To attach the diagonal supports to the Seat ).		A
5/16" X 3" Bolts (To attach the support and the diagonal supports to the legs).		B
5/16" Washers		C
5/16" Nuts		D

*Note: Dimensions of your hardware will vary depending on size.*



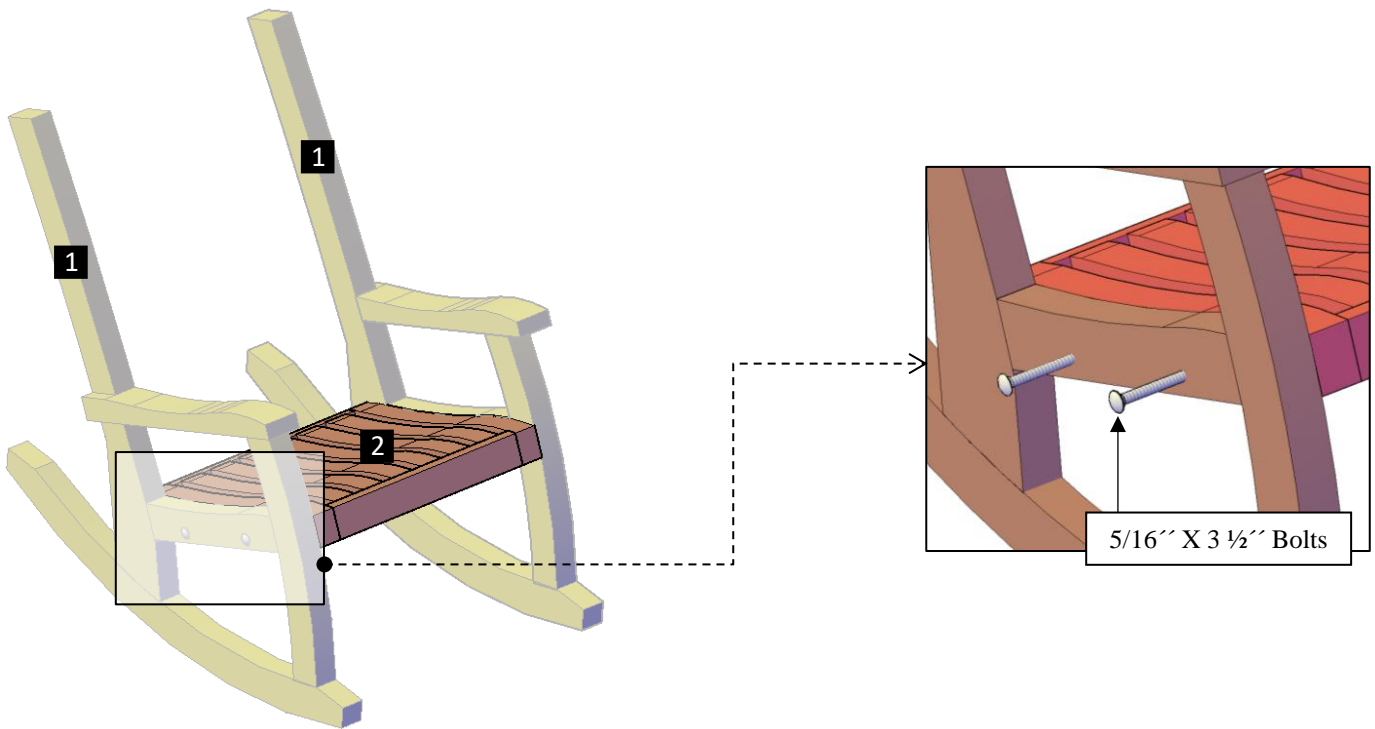


DESCRIPTION	No
Legs	1
Seat	2
Backrest	3
Support	4
Diagonal Supports	5

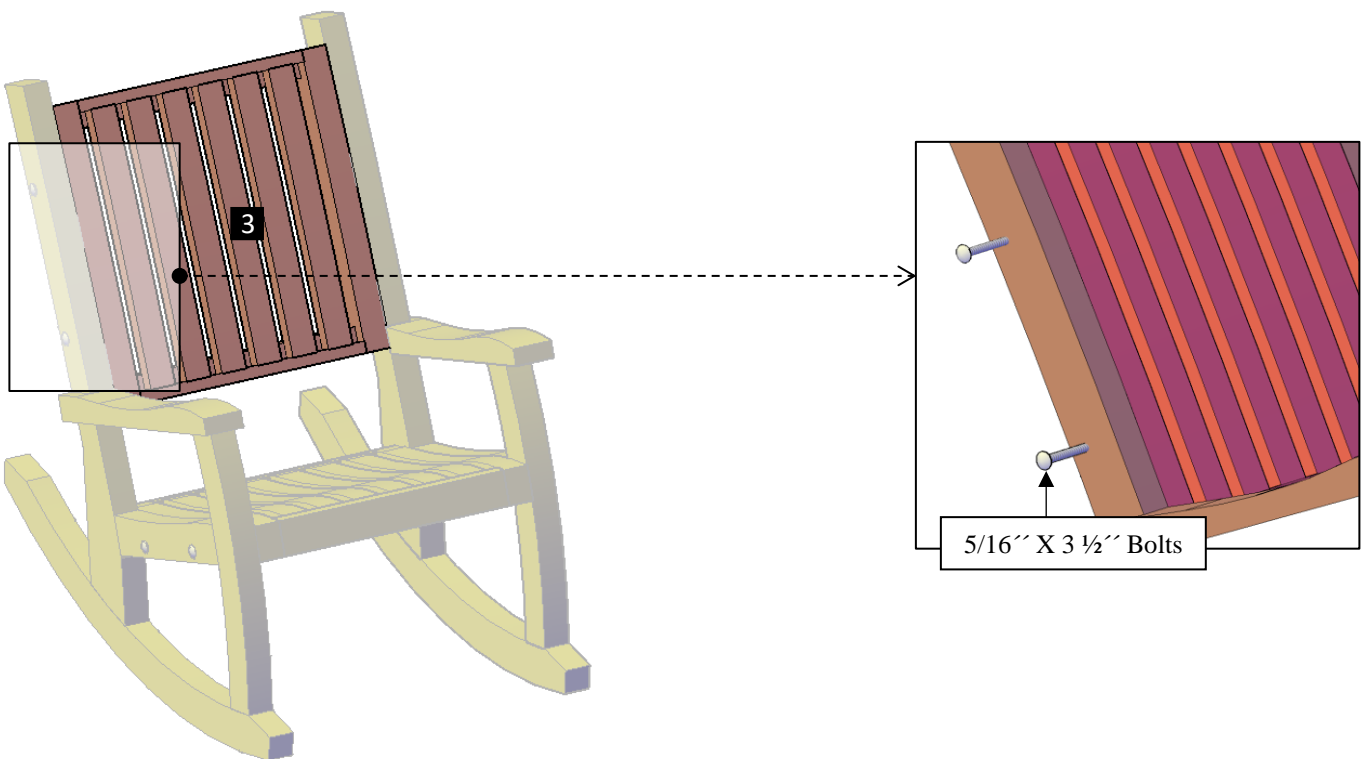


*Note: Part numbers in the Drawing are for reference only. These do not match to the numbers marked on the parts sent.*

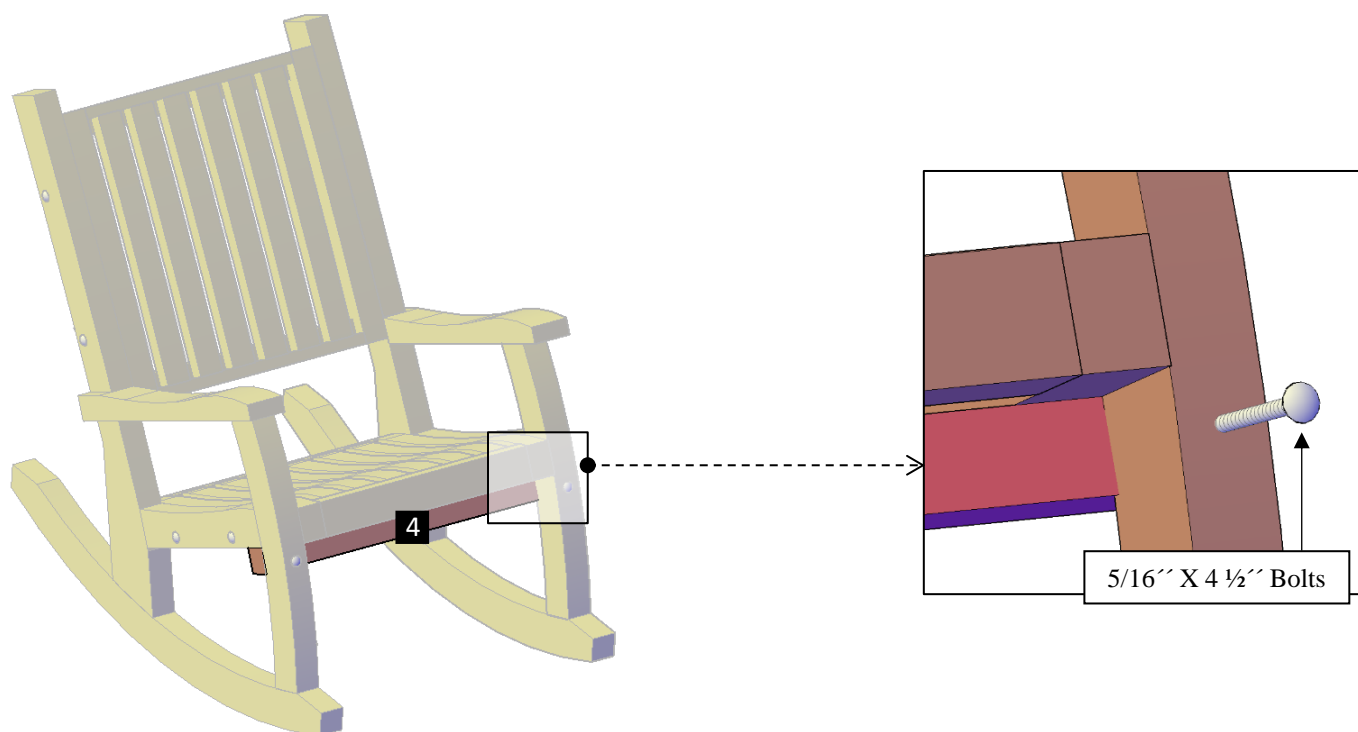
**Step 1:** Use 5/16" x 3 1/2" bolts (A) with washers (C) & nuts (D) to attach the seat (2) to the legs (1). Each part has a series of numbers that indicate where to attach the part with the corresponding number.



**Step 2:** Attach the backrest (3) to the legs with 5/16" x 3 1/2" bolts (A), washers (C) & nuts (D). Each part has a series of numbers that indicate where to attach the part with the corresponding number.



**Step 3:** Finally, use 5/16" x 4 1/2" bolts (B) with washers (C) & nuts (D) to attach the support (4) to the legs. Each part has a series of numbers that indicate where to attach the part with the corresponding number.





**Ruth Redwood Rocker – Deep Style**



**Ruth Redwood Rocker – Tall Style**



*This completes the Rocker Assembly. Hope you enjoy your set for many decades. If you ever have a problem or a question, don't hesitate to call us (866 332 2403) or email us. We are here to support you.*