



# FOREVER REDWOOD

*From the Forest, For the Forest since 1995*

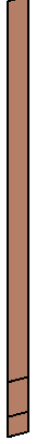
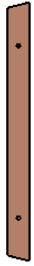
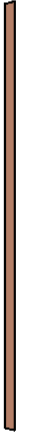
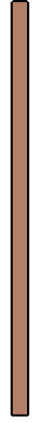
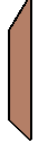
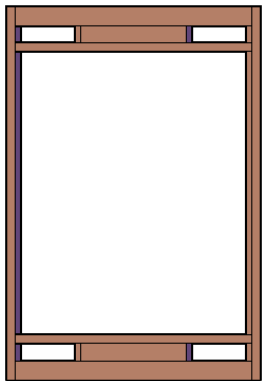

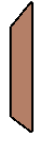
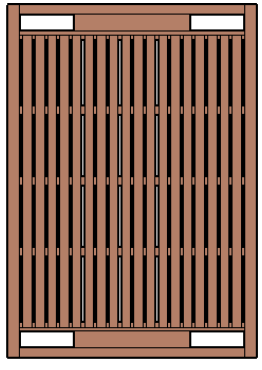
---

866.332.2403 (TOLL FREE); 7am – 7pm Pacific Time, Monday-Saturday

## ASSEMBLY INSTRUCTIONS FOR THE **SANTA ROSA FACE TO FACE GLIDER**



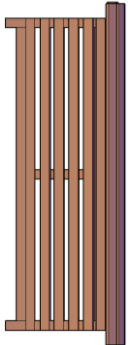

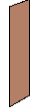
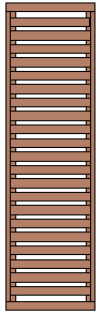
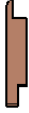
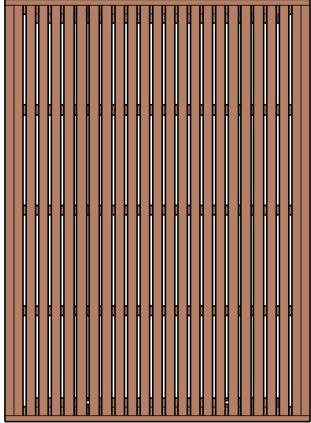
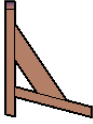
**CONTENT OF BOXES**

Qty.	Description	Drawing	No.
4	Legs		1
2	Top Leg Support		2
2	Base Leg Support (Long side)		3
1	Base Leg Supports (Short sides)		4
4	Internal Knee Braces		5
1	Roof Frame		6
4	Straps		7
4	External Knee Braces		8
1	Floor		9

*Note: Part numbers in the Content of Boxes Table are for reference only. These do not match to the numbers marked on the parts sent.*




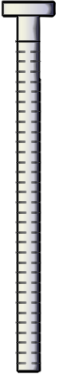
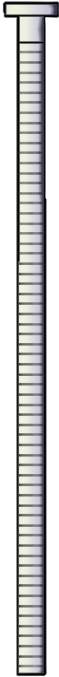
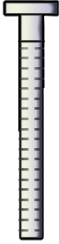
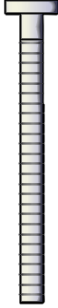
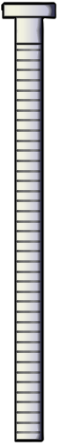
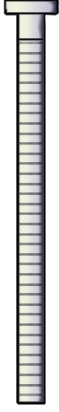

**CONTENT OF BOXES**

Qty.	Description	Drawing	No.
2	Bench Seats		10
4	Long Bench Supports		11
4	Short Bench Supports		12
2	Bench Backrests		13
4	Bench Arms		14
1	Roof Panel		15
4	Beverage Armrests <b>If ordered</b>		16

*Note: Part numbers in the Content of Boxes Table are for reference only. These do not match to the numbers marked on the parts sent.*



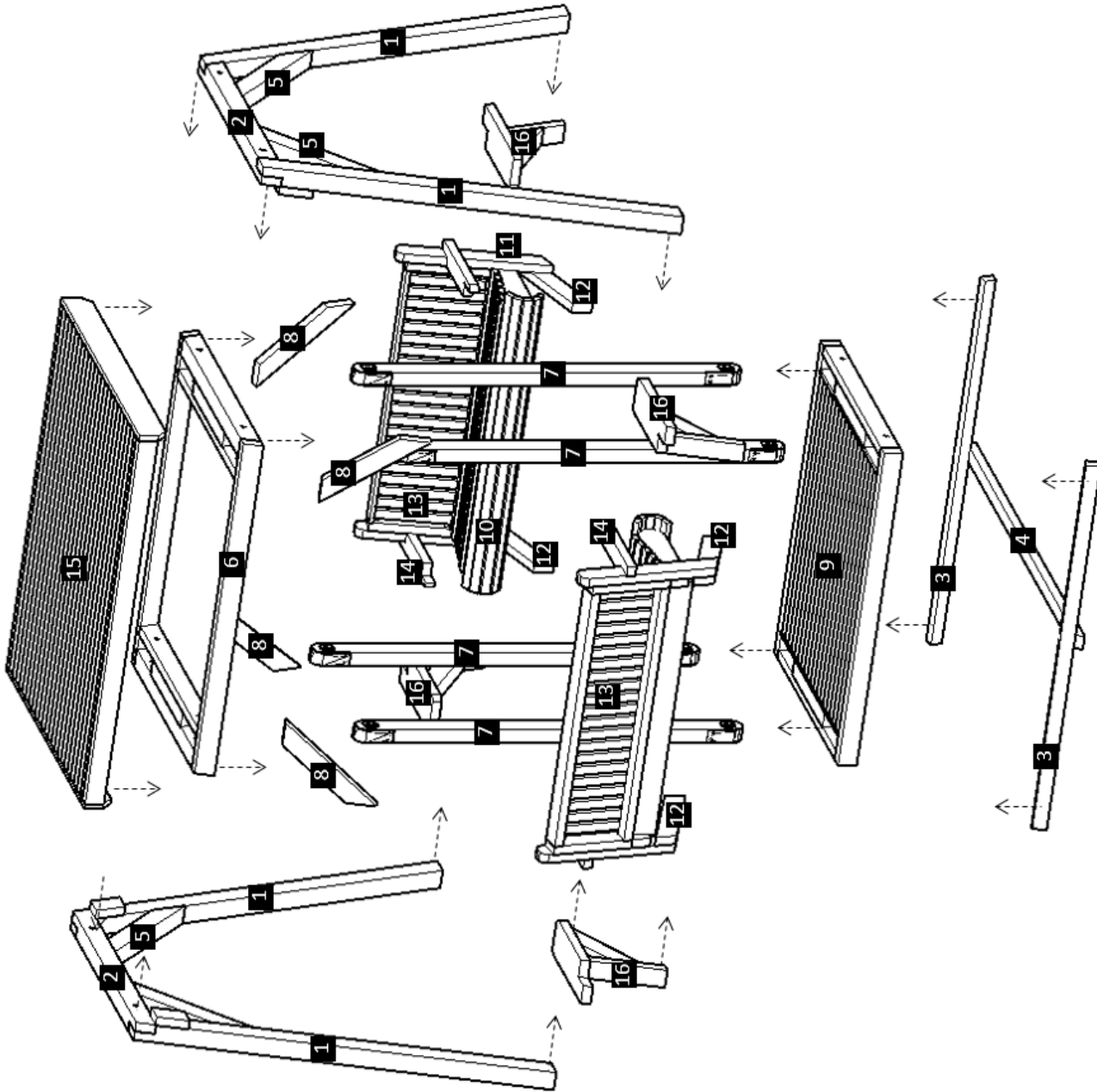
## HARDWARE LIST

Description	Drawing	No.
5/16" X 2 1/2" Bolts (To attach the legs to the top leg supports).		A
5/16" X 5 1/2" Bolts (To attach the internal knee braces to the legs).		B
3/8" X 10" Bolts (To attach the frame legs to the roof frame / To attach the straps to the frame legs and to the roof frame).		C
5/16" X 3 1/2" Bolts (To attach the external knee braces to the roof frame / To attach the bench seat to the straps / To attach the bench supports to the bench seat and to the straps / To attach the bench backrest to the bench seat / To attach the bench arms to the straps and to the bench seats).		D
5/16" X 4 1/2" Bolts (To attach the base leg supports together. / To attach the external knee braces to the frame legs / To attach the base leg support to the frame legs / To attach the beverage armrests to the frame legs. / To attach the roof panel to the roof frame).		E
3/8" X 6 1/2" Bolts (To attach the floor to the straps),		F
5/16" X 6" Bolts (To attach the arms to the frame legs).		G
3" Deck Screws (To attach the slat to the roof panels).		H

*Note: Dimensions of your hardware will vary depending on size.*

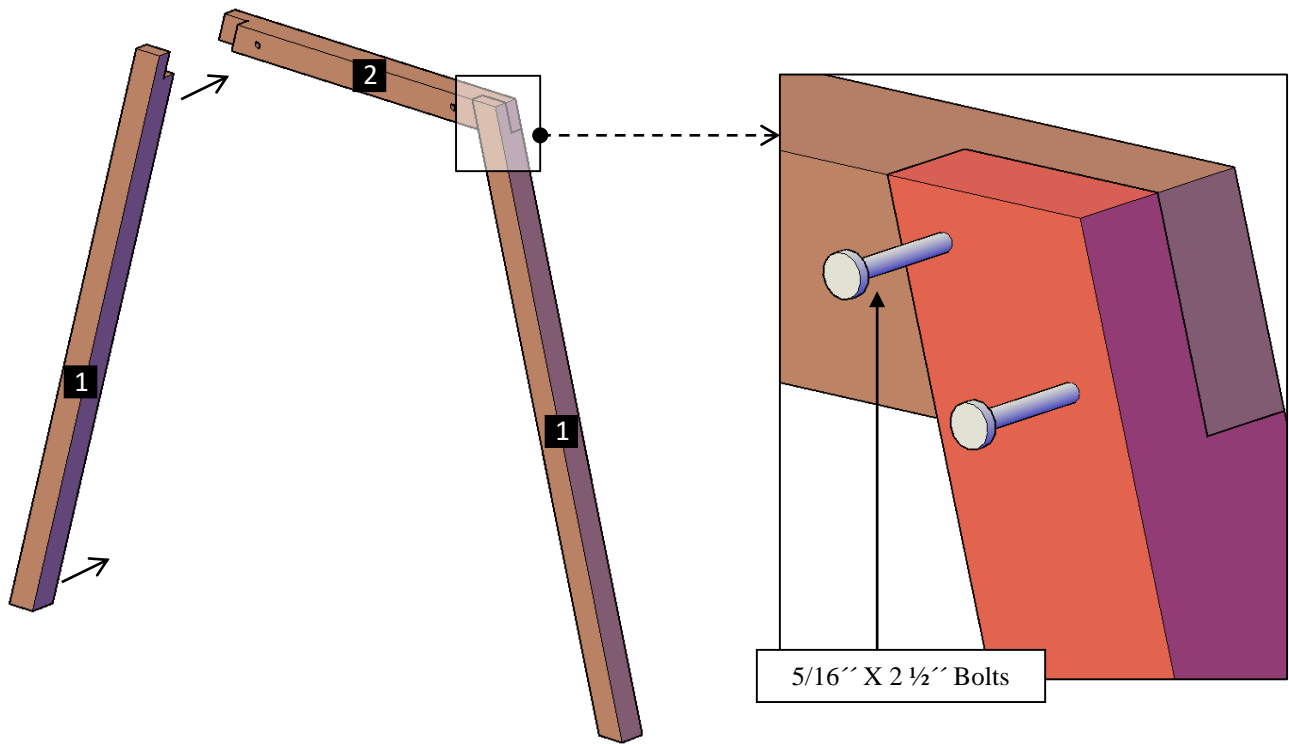


DESCRIPTION	No
Legs	1
Top Leg Support	2
Base Leg Support (Long Side)	3
Base Leg Support (Short Side)	4
Internal Knee Braces	5
Roof Frame	6
Straps	7
External Knee Braces	8
Floor	9
Bench Seats	10
Long Bench Supports	11
Short Bench Supports	12
Bench Backrests	13
Bench Arms	14
Roof Panel	15
Beverage Armrests	16

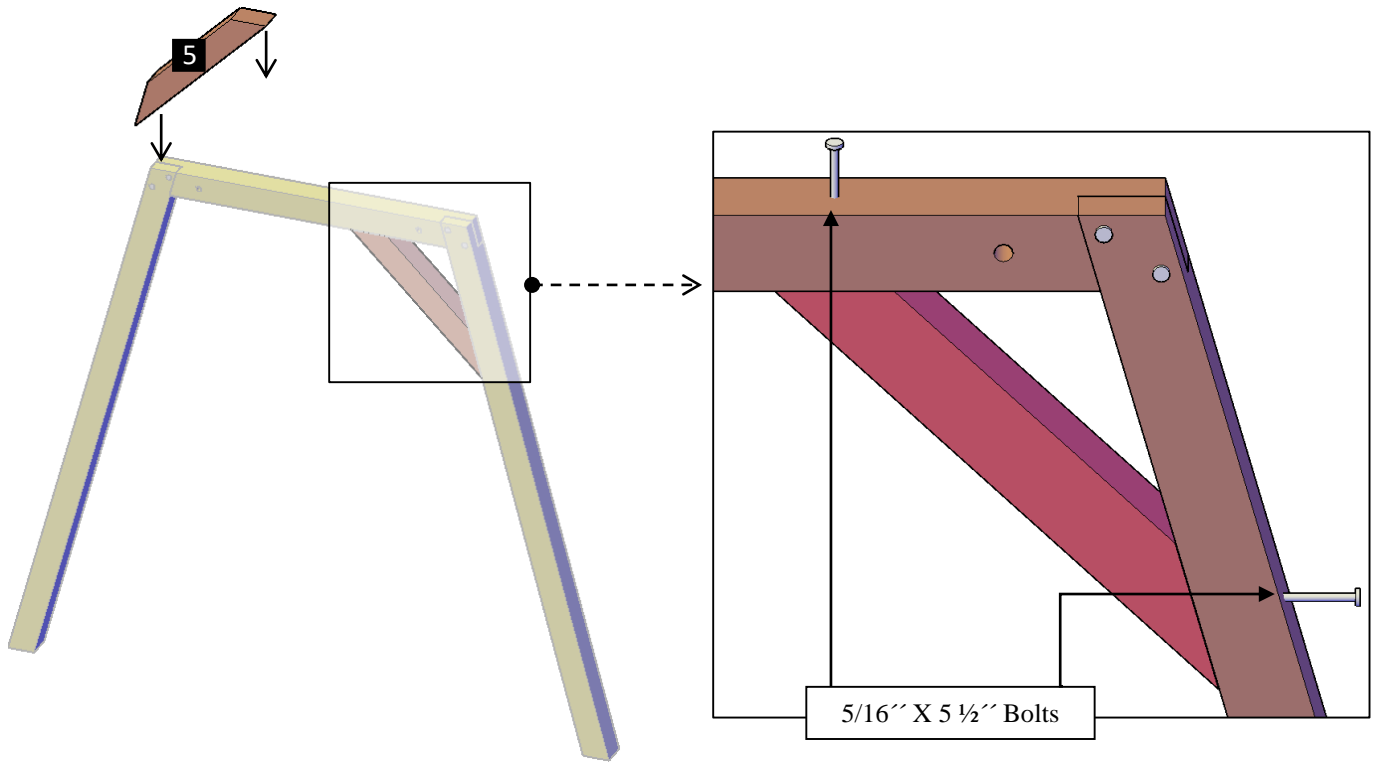


*Note: Part numbers in the Drawing are for reference only. These do not match to the numbers marked on the parts sent.*

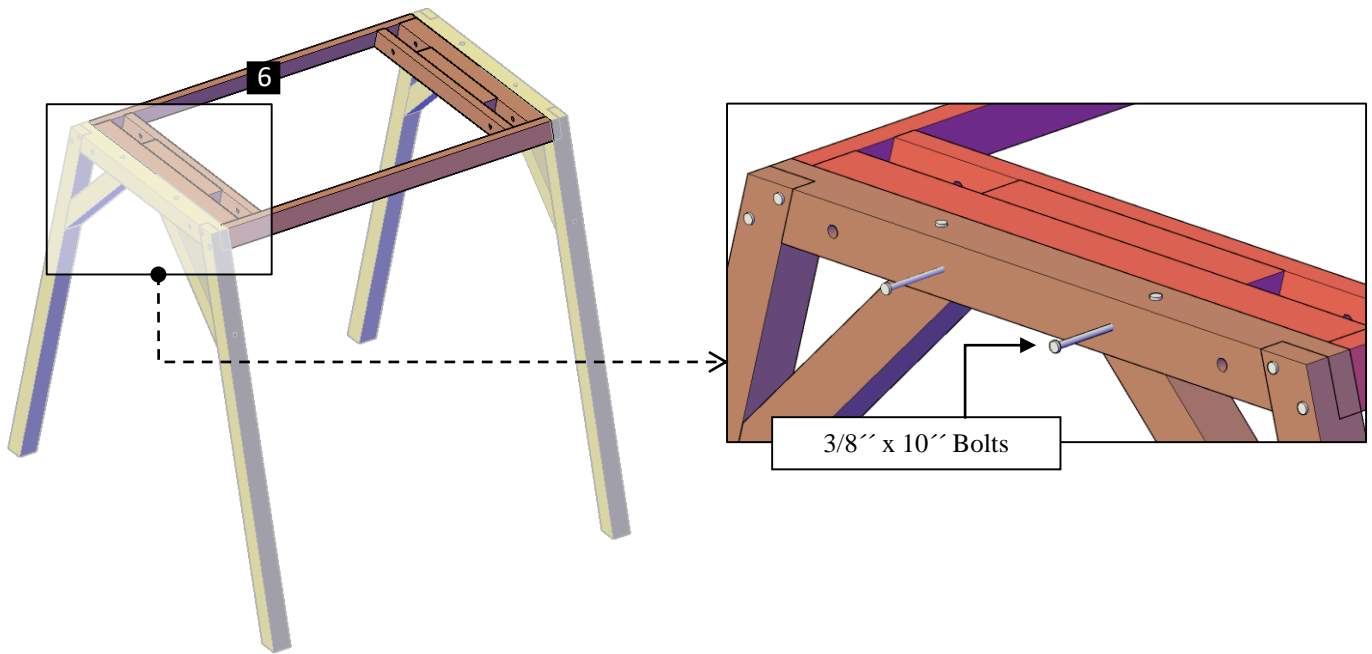
**Step 1:** Attach the legs (1) to the top leg support (2) with 5/16" x 2 1/2" bolts (A). Each part has a series of numbers that indicate where to attach the part with the corresponding number.



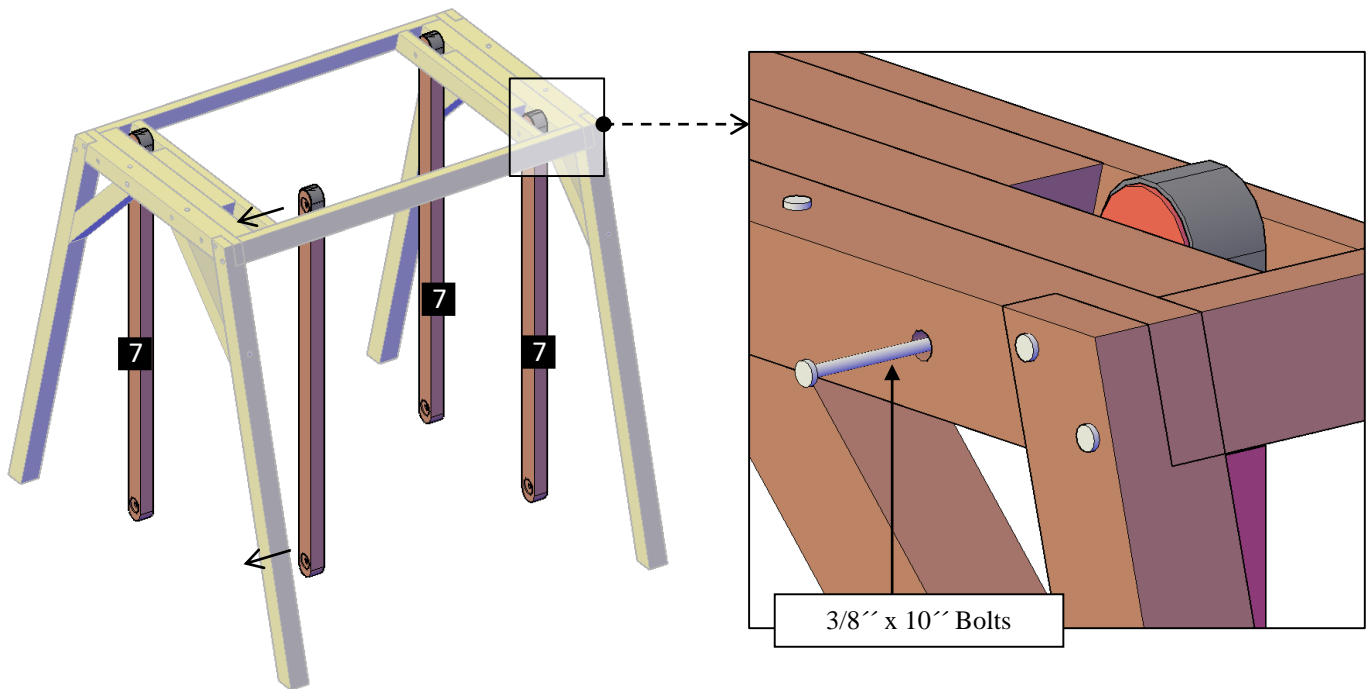
**Step 2:** Use 5/16" x 5 1/2" bolts (B) to attach the internal knee braces (5) to the legs and to the top leg support. Each part has a series of numbers that indicate where to attach the part with the corresponding number.



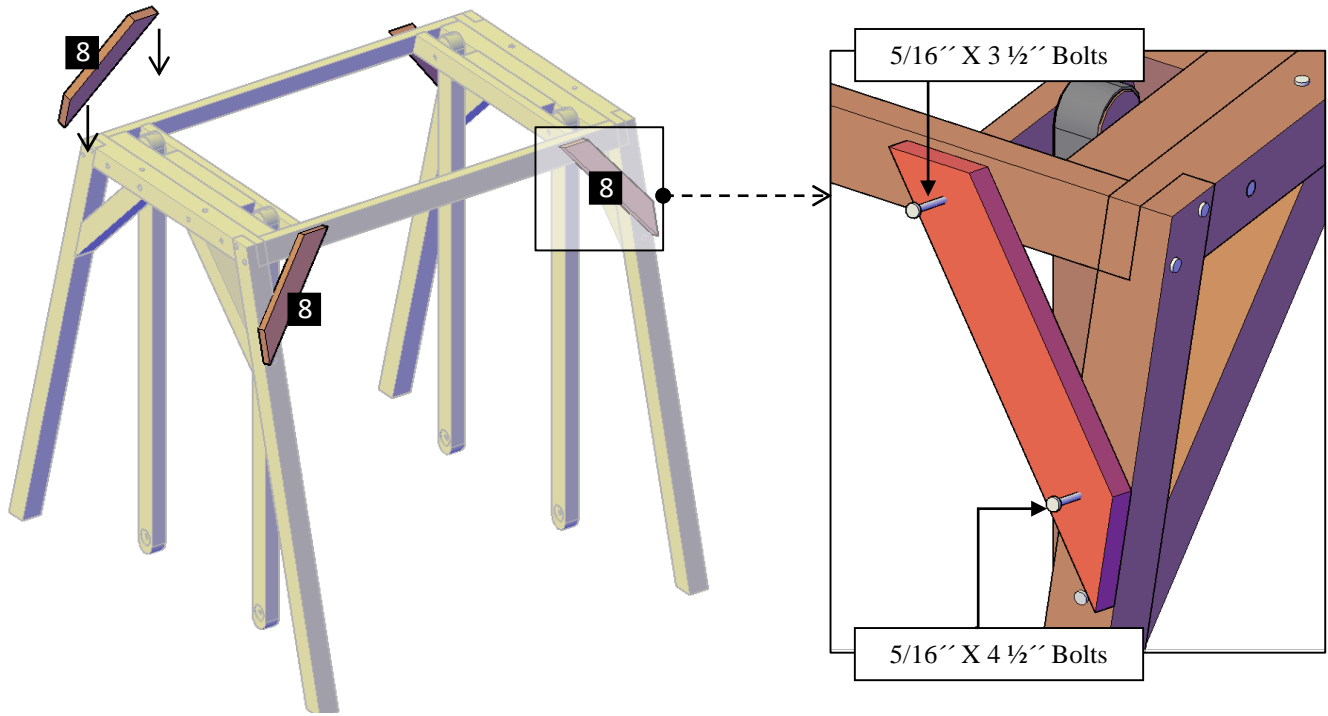
**Step 3:** Use 3/8" x 10" bolts (C) to attach the frame legs to the roof frame (6). Each part has a series of numbers that indicate where to attach the part with the corresponding number.



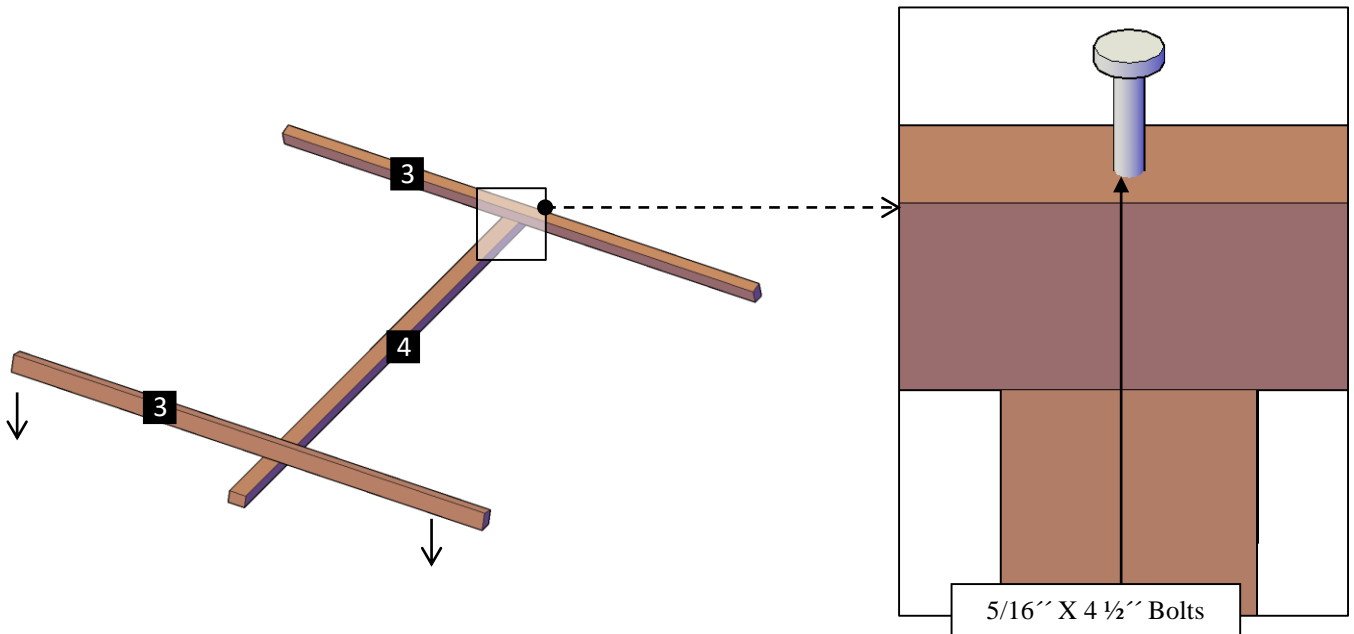
**Step 4:** Use 3/8" x 10" bolts (C) to attach the straps (7) to the roof frame and to the frame legs. Each part has a series of numbers that indicate where to attach the part with the corresponding number.



**Step 5:** Attach the external knee braces (8) to the roof frame with 5/16" x 3 1/2" bolts (D). After that, attach to the frame legs with 5/16" x 4 1/2" bolts (E). Each part has a series of numbers that indicate where to attach the part with the corresponding number.

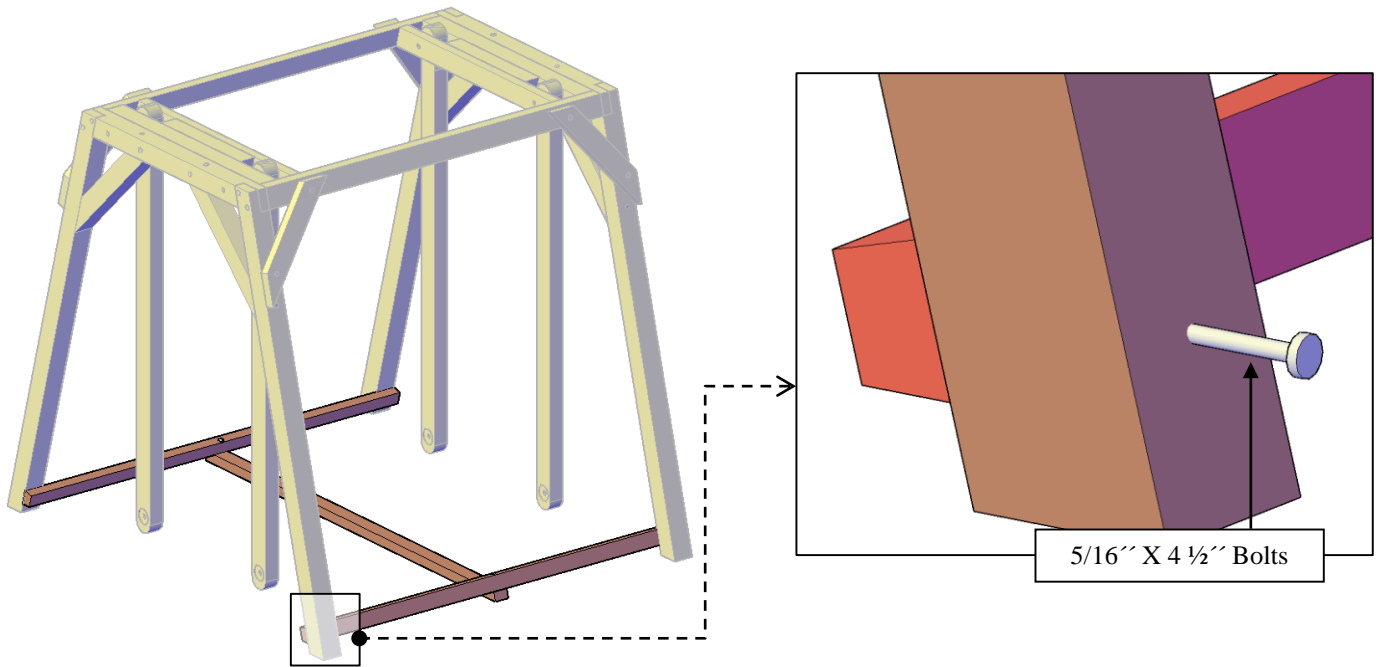


**Step 6:** Assemble the base leg support (3,4) with 5/16" x 4 1/2" bolts (E), as shown. Each part has a series of numbers that indicate where to attach the part with the corresponding number.

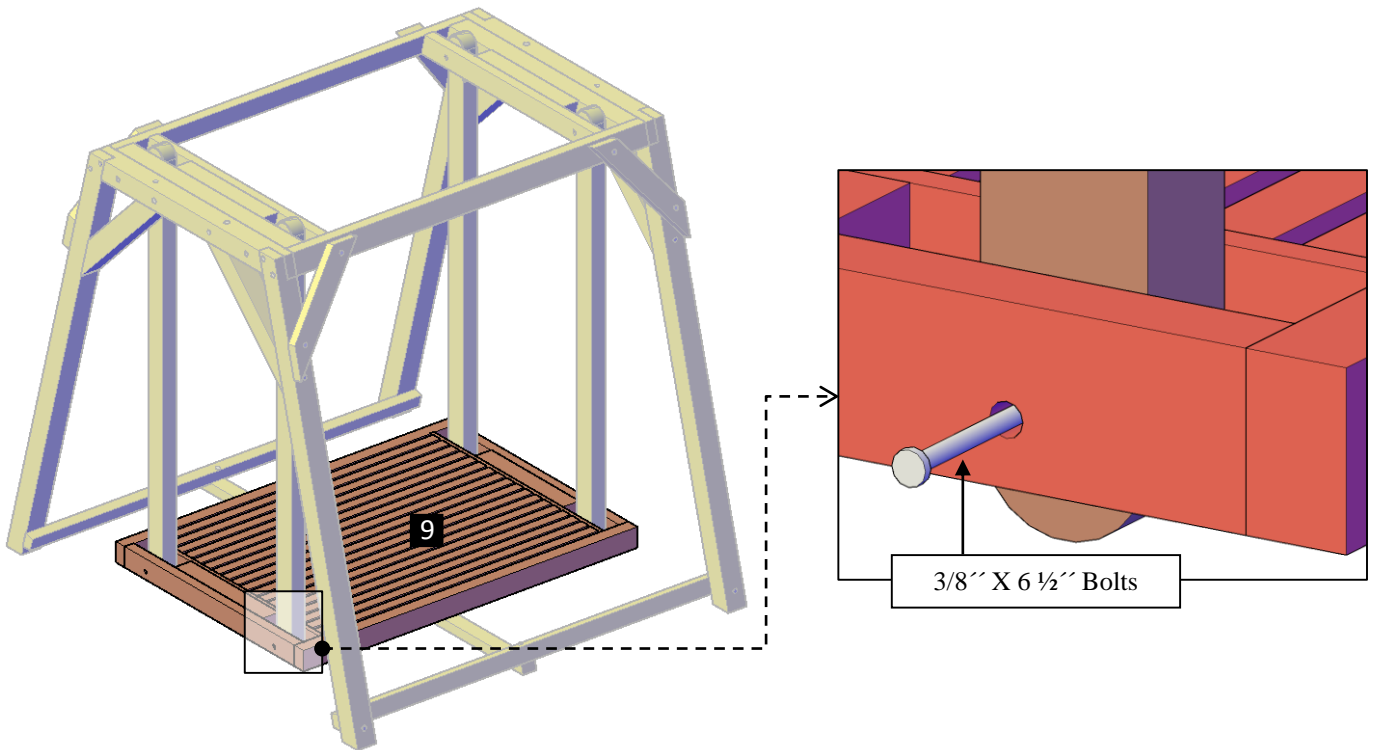




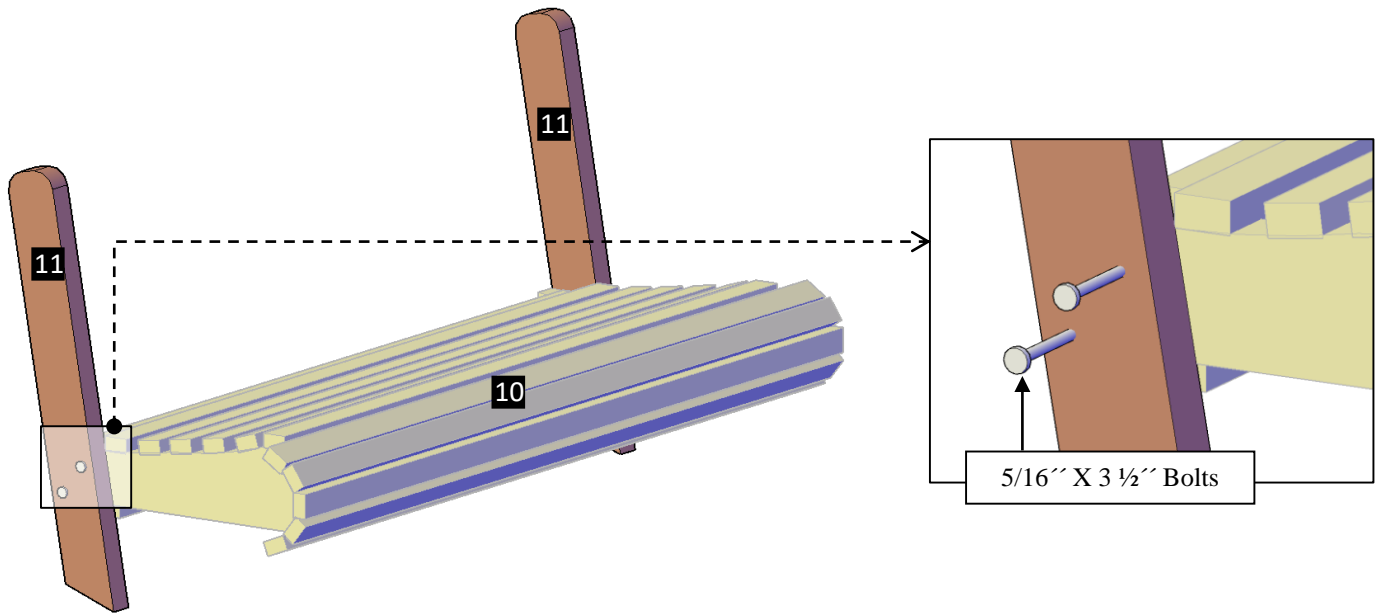
**Step 7:** Use 5/16" x 4 1/2" bolts (E) to attach the base leg support to the frame legs. Each part has a series of numbers that indicate where to attach the part with the corresponding number.



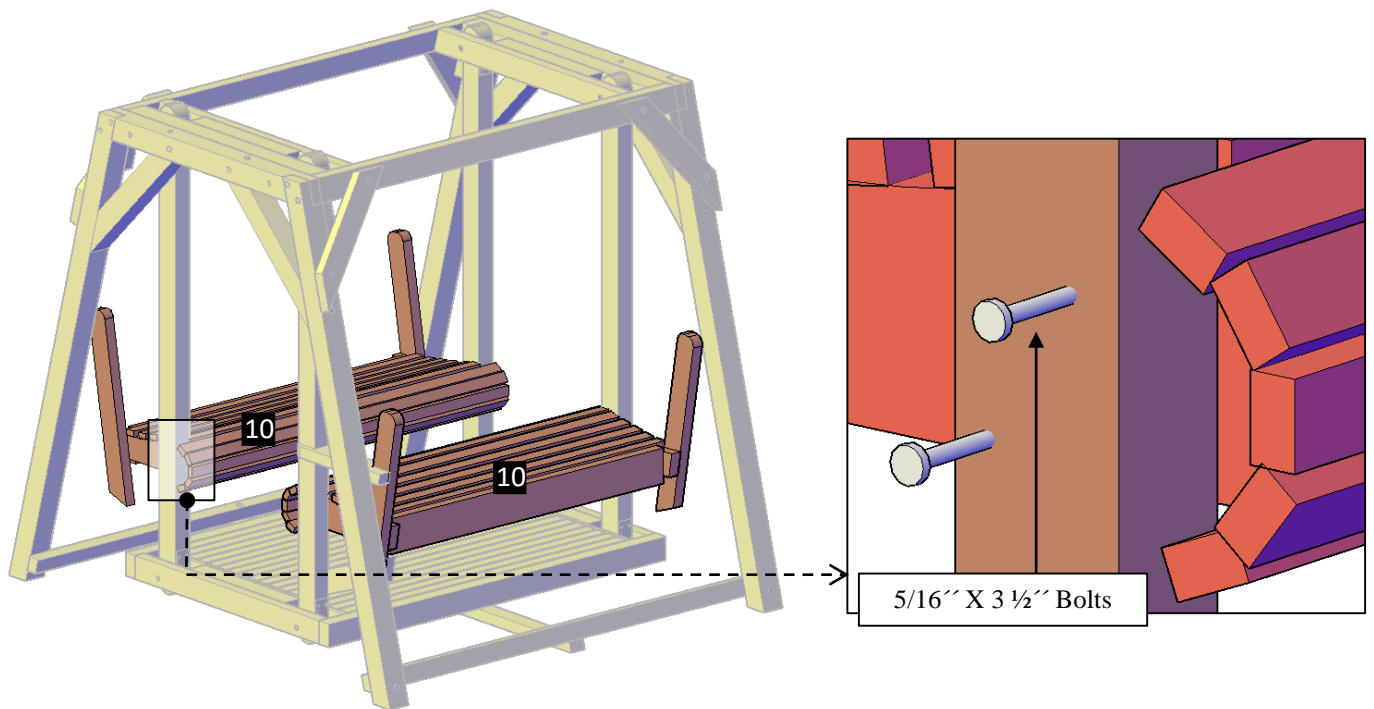
**Step 8:** Attach the floor (9) to the straps with 3/8" x 6 1/2" bolts (F). Each part has a series of numbers that indicate where to attach the part with the corresponding number.



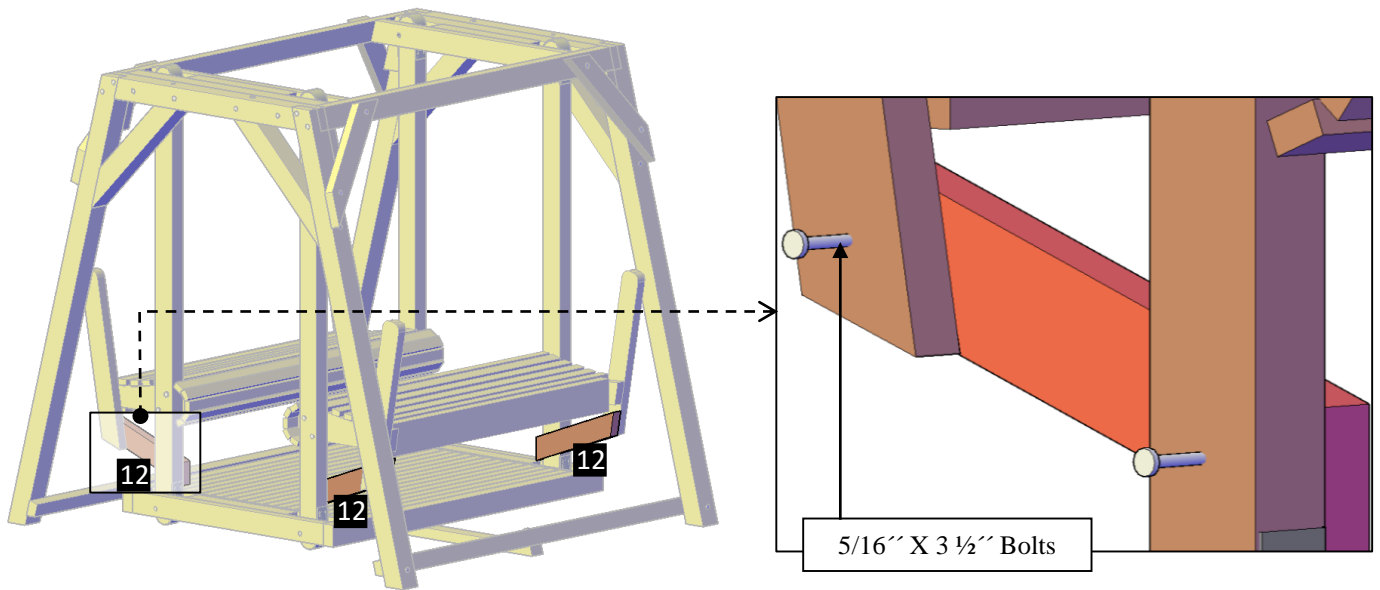
**Step 9:** Use 5/16" x 3 1/2" bolts (D) to attach the long bench supports (11) to the bench seat (10). Each part has a series of numbers that indicate where to attach the part with the corresponding number.



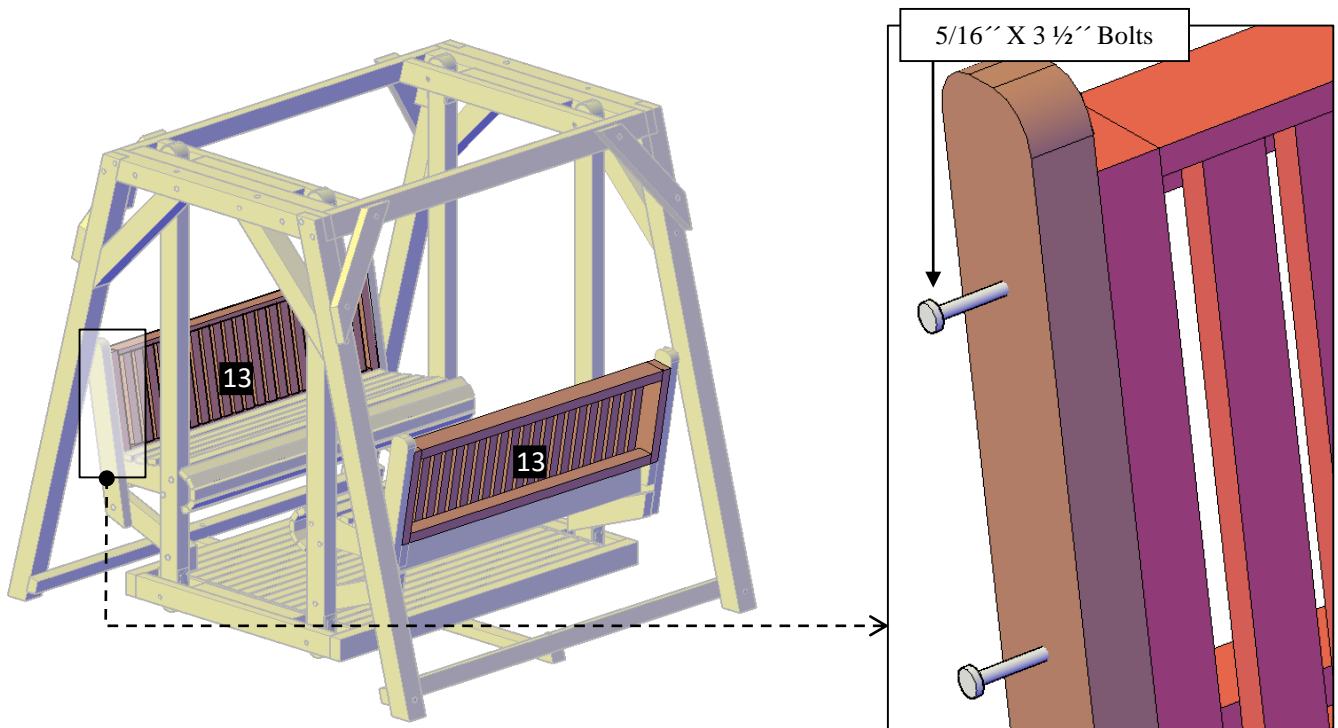
**Step 10:** Use 5/16" x 3 1/2" bolts (D) to attach the bench seat (10) to the straps. Each part has a series of numbers that indicate where to attach the part with the corresponding number.



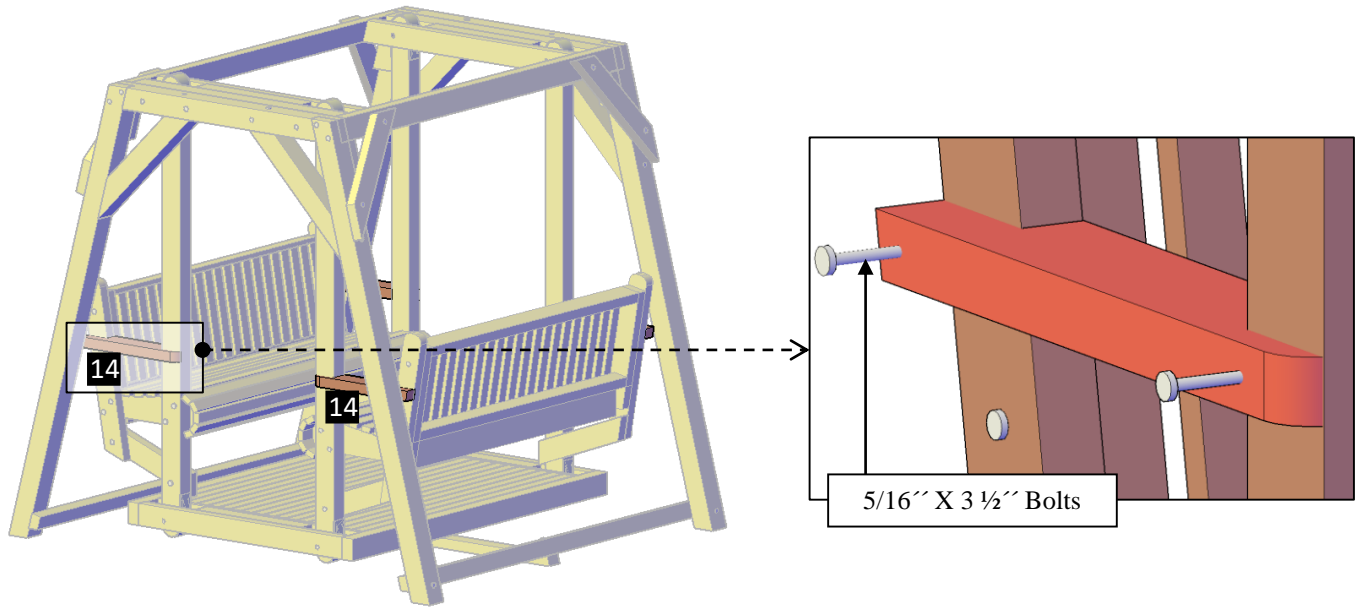
**Step 11:** Attach the short bench supports (12) to the bench seats and to the straps with 5/16" x 3 1/2" bolts (D). Each part has a series of numbers that indicate where to attach the part with the corresponding number.



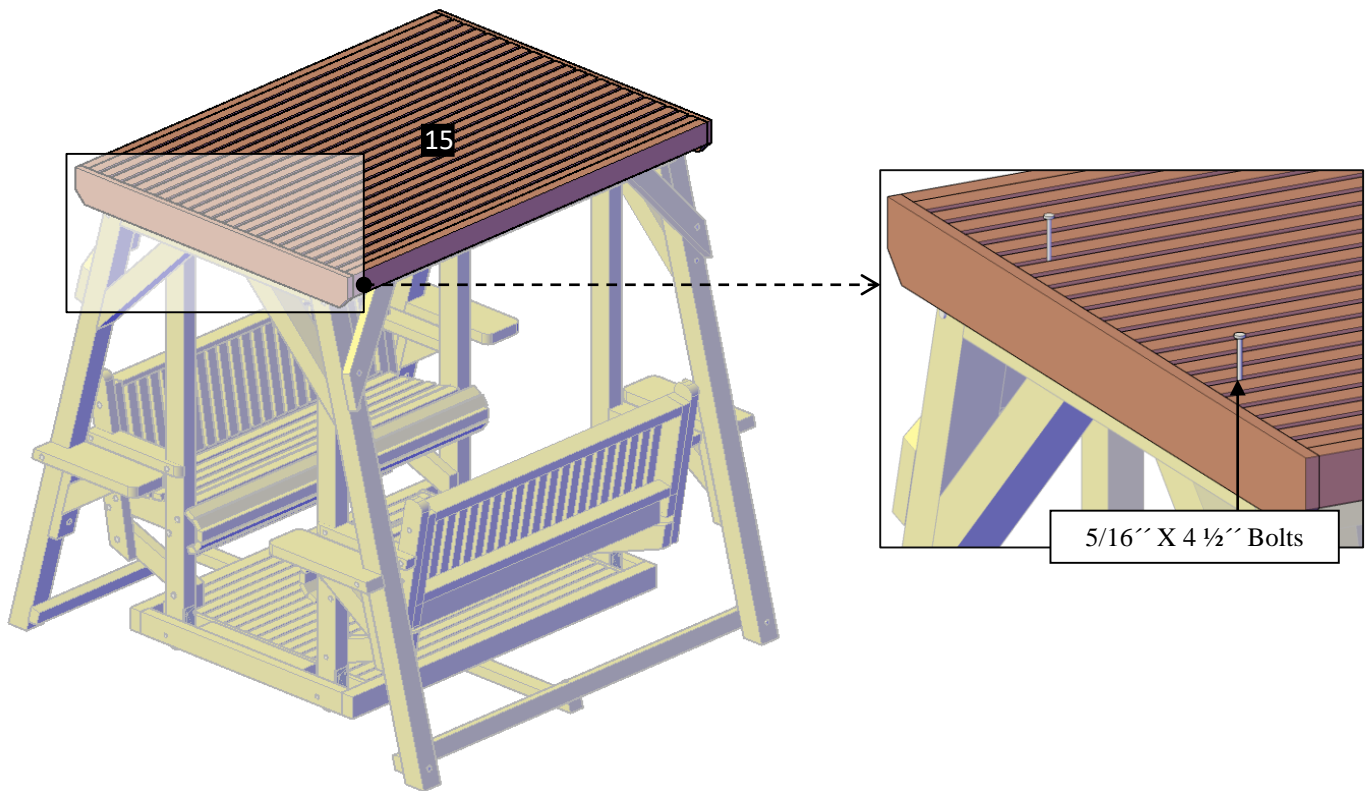
**Step 12:** Attach the bench backrests (13) to the bench seats with 5/16" x 3 1/2" bolts (D). Each part has a series of numbers that indicate where to attach the part with the corresponding number.



**Step 13:** Use 5/16" x 3 1/2" bolts (D) to attach the bench arms (14) to the straps and to the bench seats. Each part has a series of numbers that indicate where to attach the part with the corresponding number.

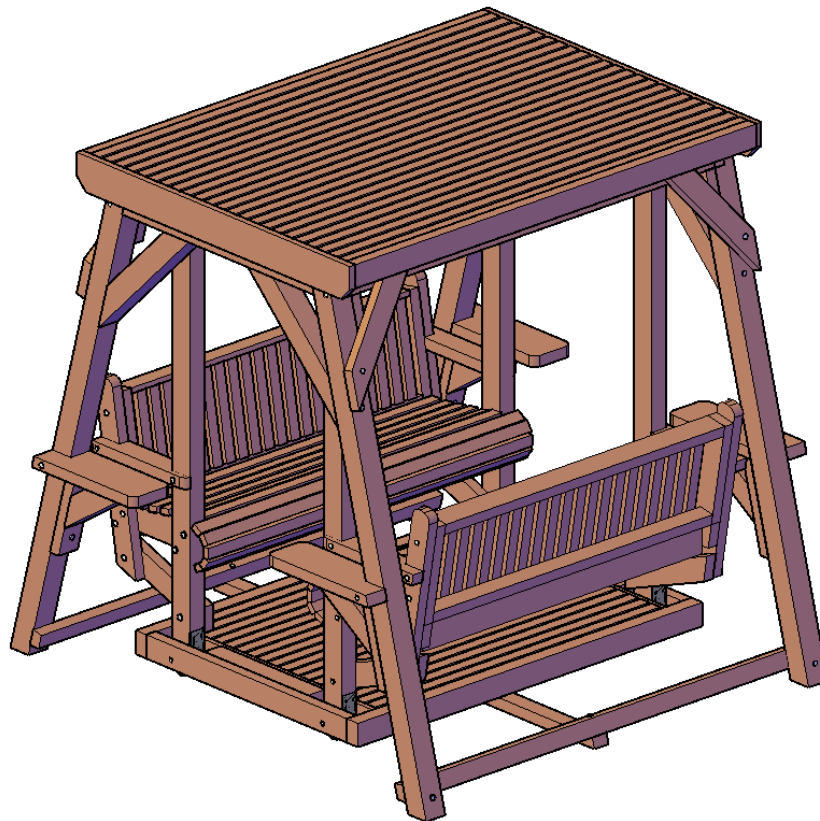
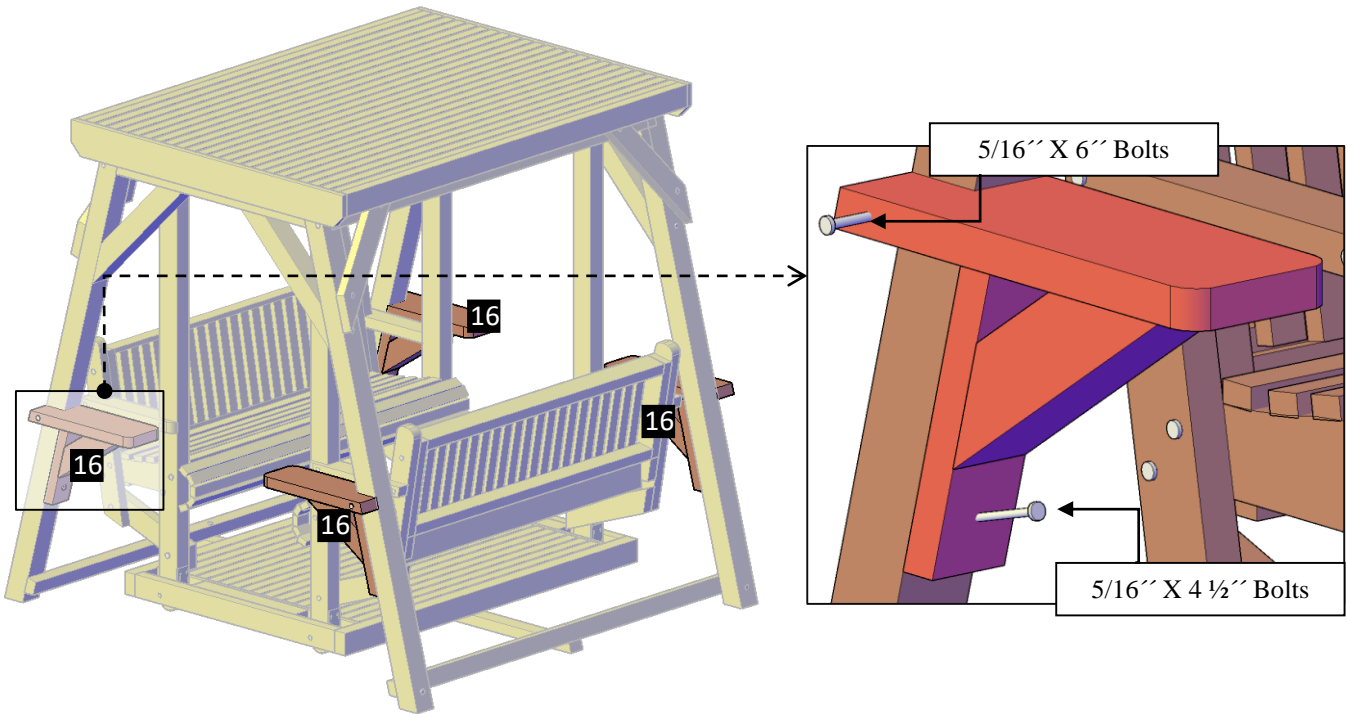


**Step 14:** Use 5/16" x 4 1/2" bolts (E) to attach the roof panel (15) to the roof frame. Each part has a series of numbers that indicate where to attach the panel with the corresponding number.



If your Glider includes Beverage Armrest, then follow this instruction.

**Step 15:** Finally, use 5/16" x 6" bolts (G) and 5/16" x 4 1/2" bolts (E) to attach the beverage armrest (16) to the roof frame. Each part has a series of numbers that indicate where to attach the part with the corresponding number.







*This completes the Glider assembly. Hope you enjoy your set for many decades. If you ever have a problem or a question, don't hesitate to call us (866 332 2403) or email us. We are here to support you.*