



FOREVER REDWOOD

From the Forest, For the Forest since 1995

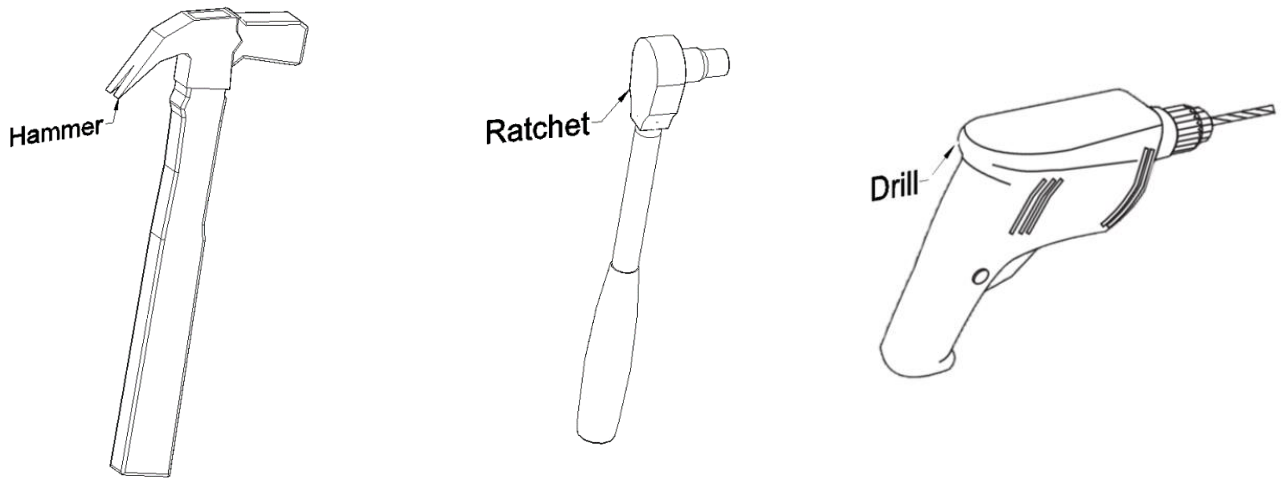
866.332.2403 (TOLL FREE) (707) 640.29.05 (Option 4) Direct Line for the

Design Department; 7am – 7pm Pacific Time, Monday-Saturday

ASSEMBLY INSTRUCTIONS FOR THE **SEBASTOPOL PERGOLAS**

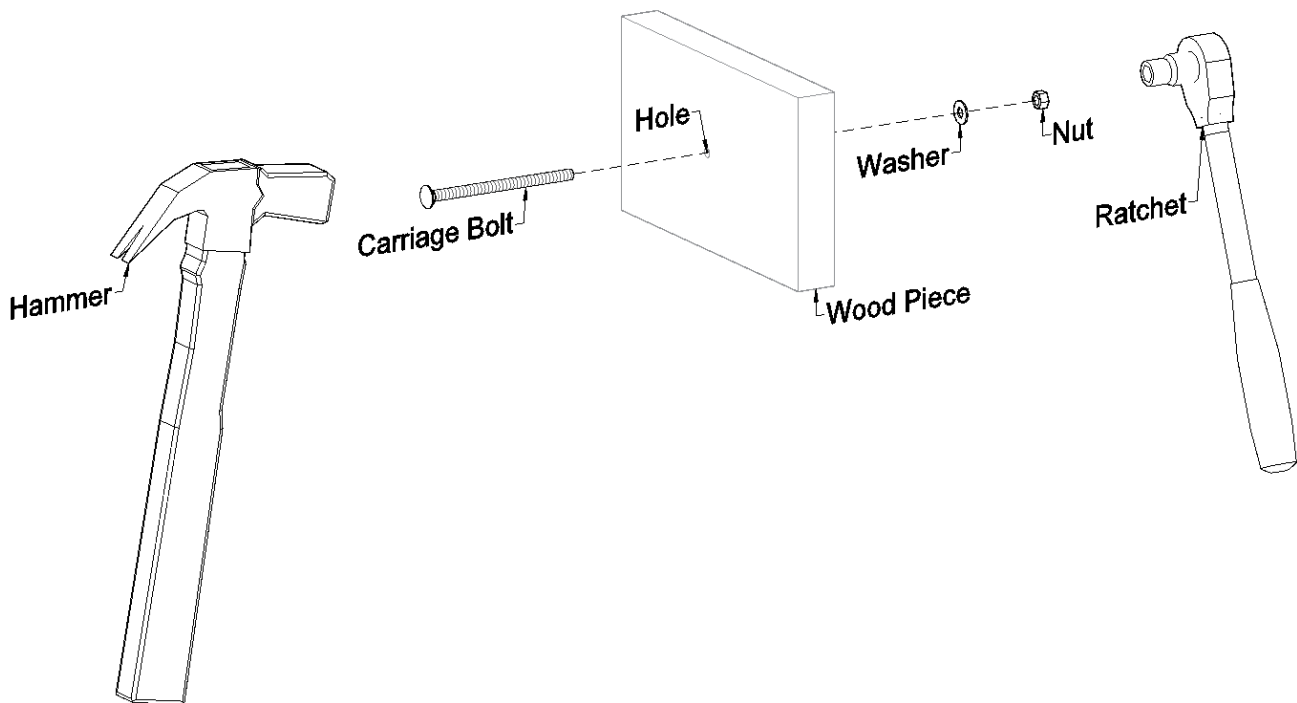


NOTE: Assembly is best done by two people. To assemble your product, you need a Hammer, a Ratch or a wrench and if required a Drill.



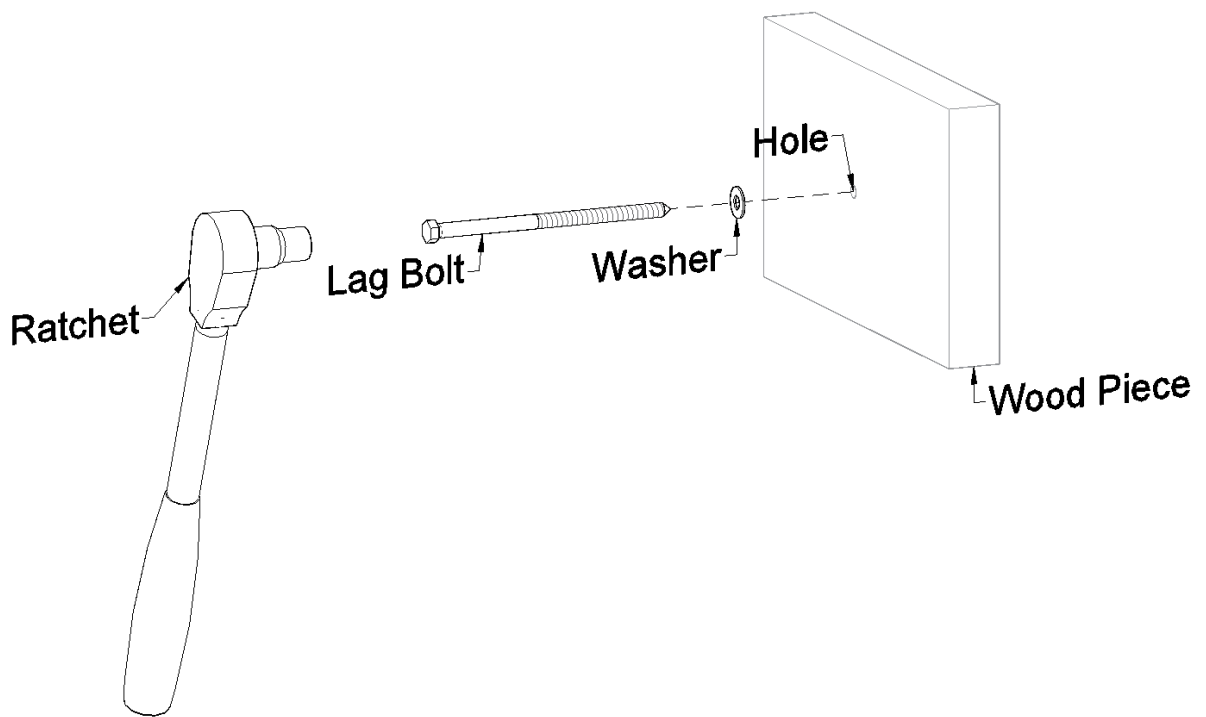
Required Tools (Are not included in your hardware packing).

PROCESS TO INSTALL THE HARDWARE PROVIDED.



To install the bolts.

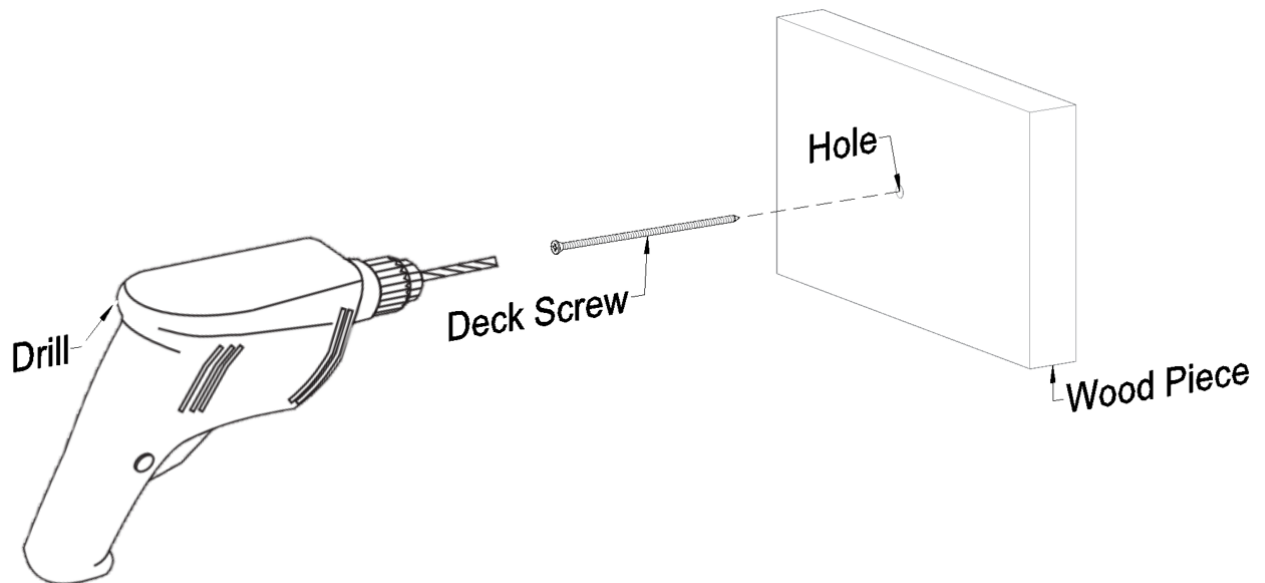
Insert the carriage bolts into the holes and lightly tap with a hammer until the square neck fit in the wood piece and the bolt head must flush with the wood piece. Finally, place the washer and the nut and carefully tighten it using a ratchet with the necessary socket or a wrench.



To install the lag bolts.

Place the washers in their lag bolts. After that, insert the lag bolts into the holes and carefully tighten it using a **ratchet** with the necessary **socket**.

Use the washers only for the Wood Pieces.


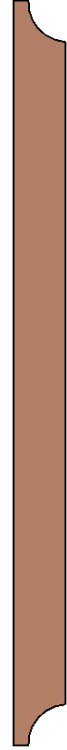
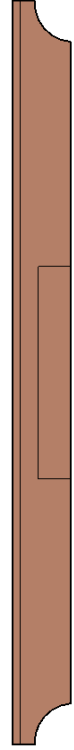
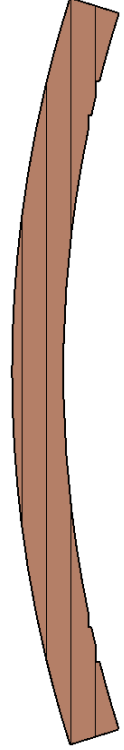
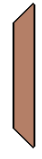
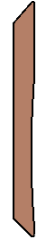
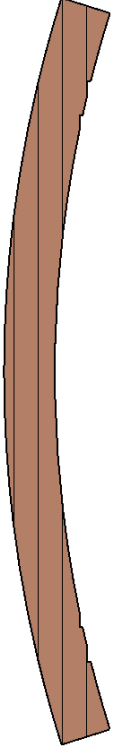

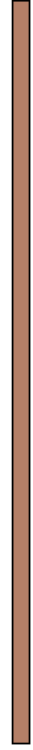

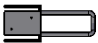


To install the deck screws.

Insert the deck screws into the holes and carefully tighten it using a drill.

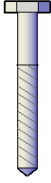
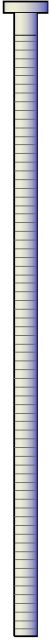
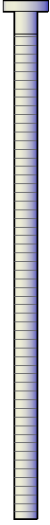

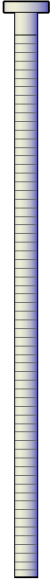
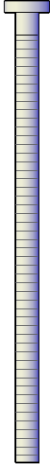


CONTENT OF BOXES

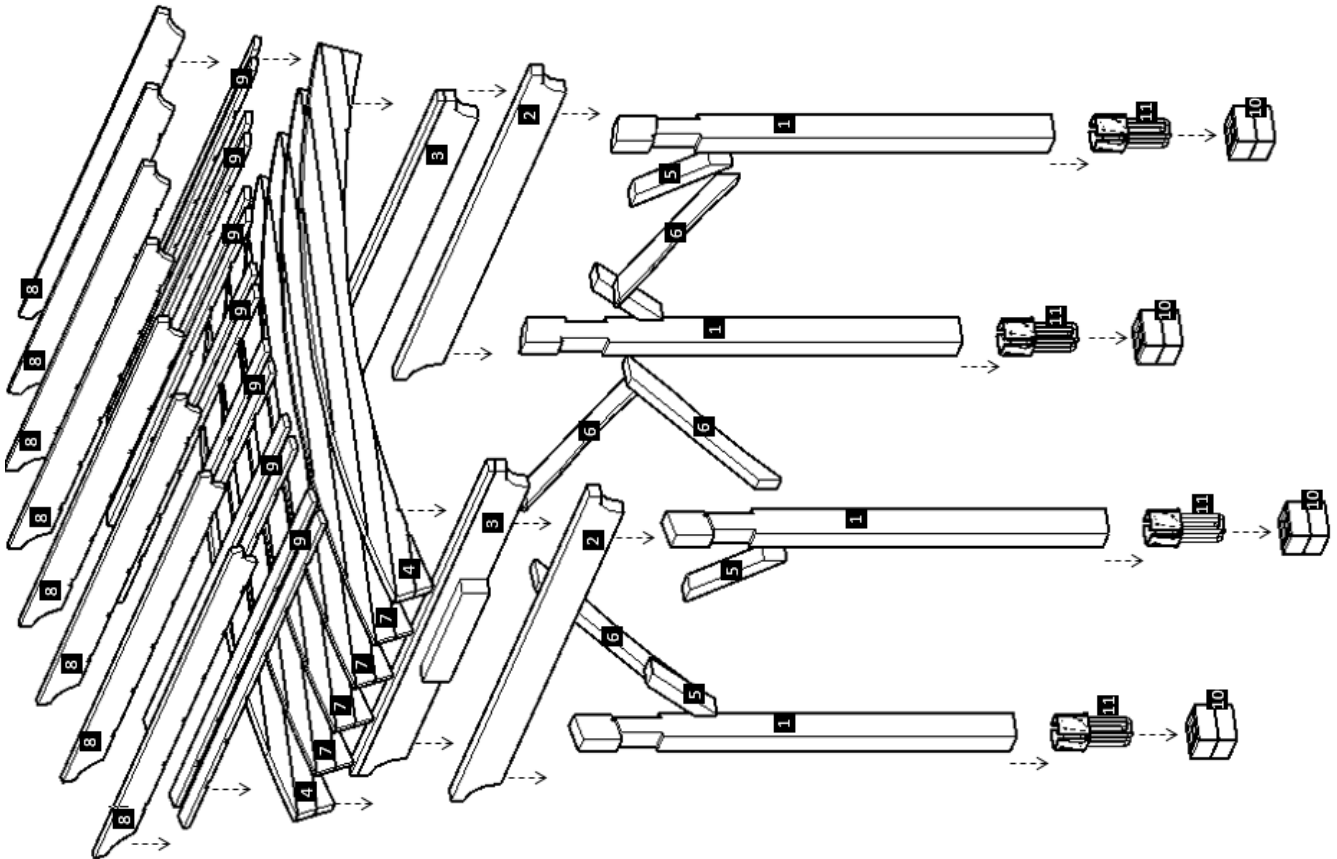
Qty.	Description	Drawing	No.
4	Posts		1
2	Single Supports		2
2	Supports with In-Between Blocking		3
2	Perimeter Arched Rafters		4
4	Main Knee Braces		5
4	Secondary Knee Braces		6
4	Central Arched Rafters		7
8	Slats-A		8
14	Slats-B		9
4	Boots		10
4	Gale Wind Anchor Bases		11

Note: Part numbers in the Content of Boxes Table are for reference only. These do not match to the numbers marked on the parts sent.

HARDWARE LIST

Qty.	Description	Drawing	No.
32	3/8" X 3" Lag Bolts (To attach the anchor bases to the posts).		A
20	3/8" X 11" Bolts (To attach the supports to the posts. / To attach the supports together. / To attach the main knee braces to the supports).		B
8	3/8" X 9" Bolts (To attach the arched rafters to the posts).		C
220	3" Deck screws (To attach the arched rafters to the supports. / To attach the slats to the arched rafters. / To attach the boots to the posts).		D
8	3/8" X 10" Bolts (To attach the knee braces to the posts).		E
8	3/8" X 8" Bolts (To attach the secondary knee braces to the arched rafters).		F

Note: Dimensions of your hardware will vary depending on size.

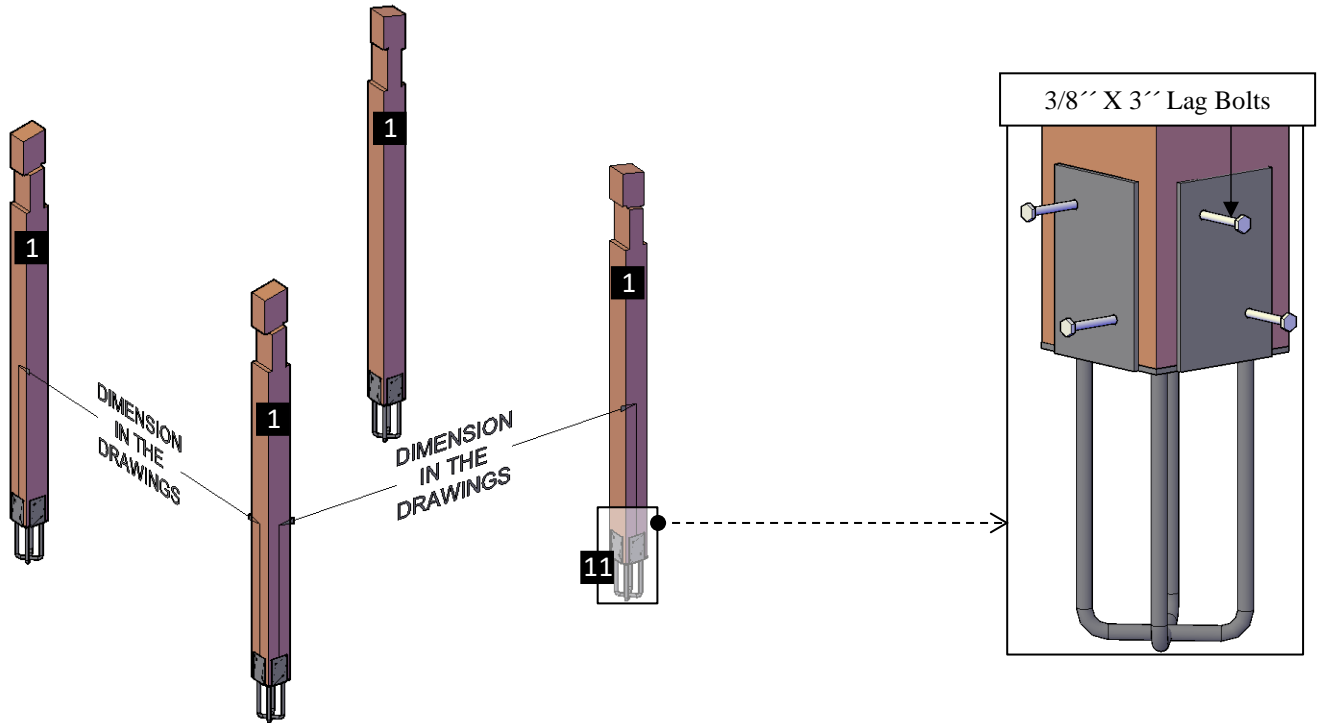


DESCRIPTION	No.
Posts	1
Single Supports	2
Supports with In-Between Blocking	3
Perimeter Arched Rafters	4
Main Knee Braces	5
Secondary Knee Braces	6
Central Arched Rafters	7
Slats-A	8
Slats-B	9
Boots	10
Anchor Bases	11

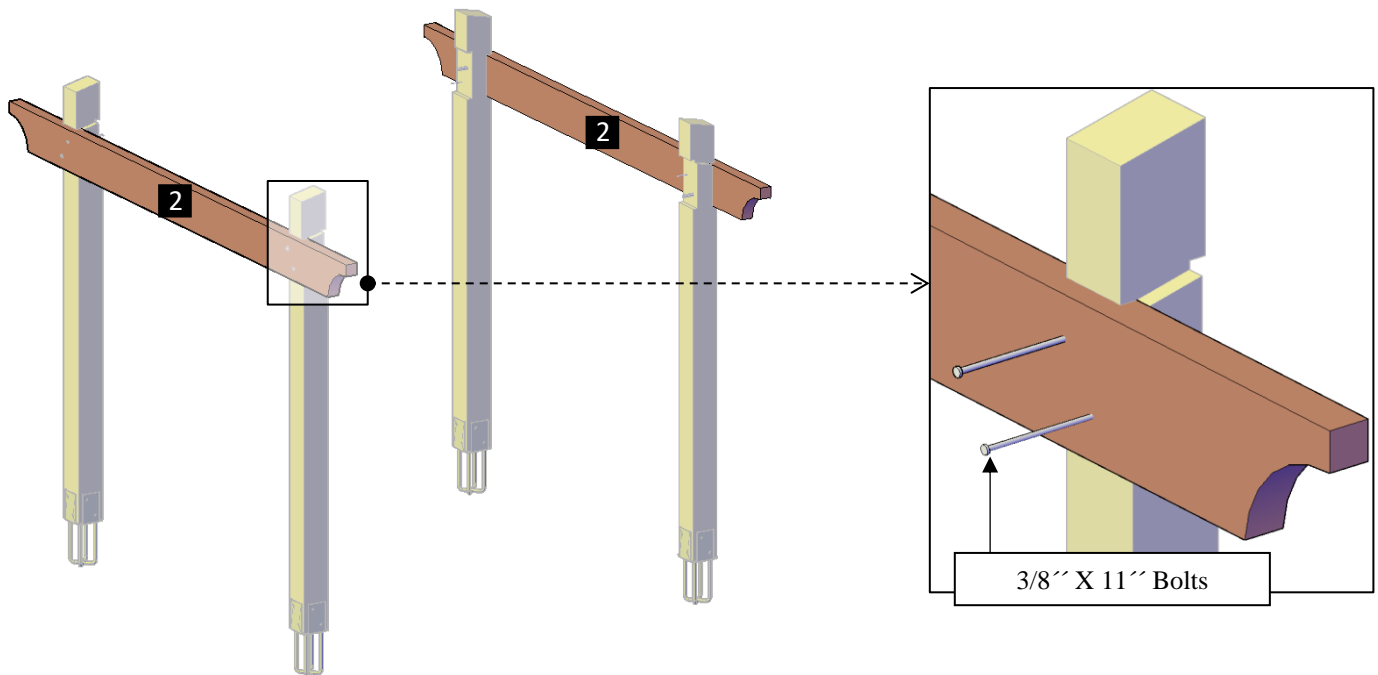
Note: Part numbers in the Drawing are for reference only. These do not match to the numbers marked on the parts sent.

NOTE: In order to know where the post needs to be placed, check the numbers on them. If the post is not marked, then place the single Supports on the ground to locate the markings for each post position and clearly set your bearings. (“Don’t attach yet, only place them on the ground to begin with”).

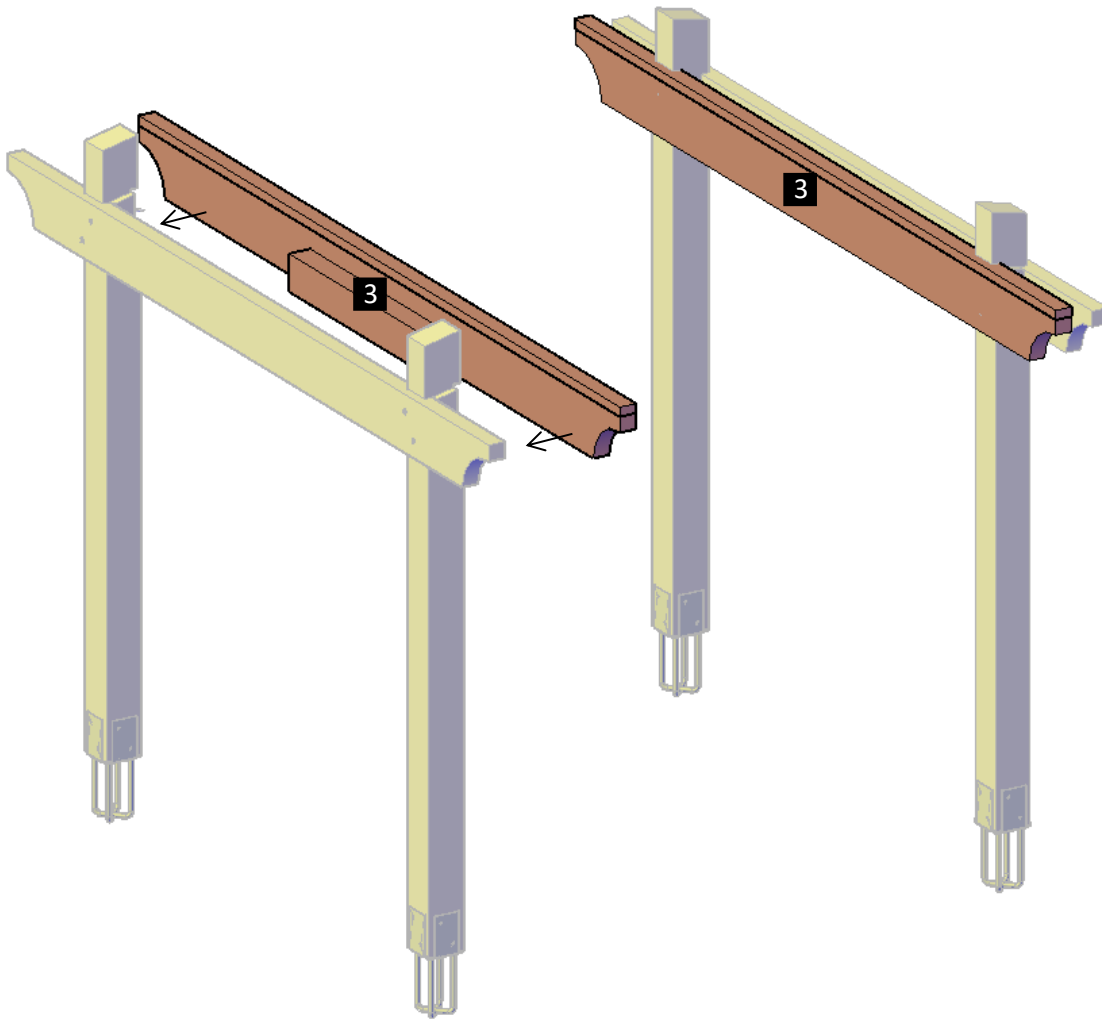
Step 1: Install the anchor bases (11). Please see the “How to anchor your pergola document” for all details. Set your post (1) in the saddle of the anchor bases (11). Drill a $\phi \frac{1}{4}$ ” hole in the post prior to anchoring to facilitate the ratcheting of the hardware. After that, use 3/8” X 3” lag bolts (A) to attach each post to its respective anchor base.



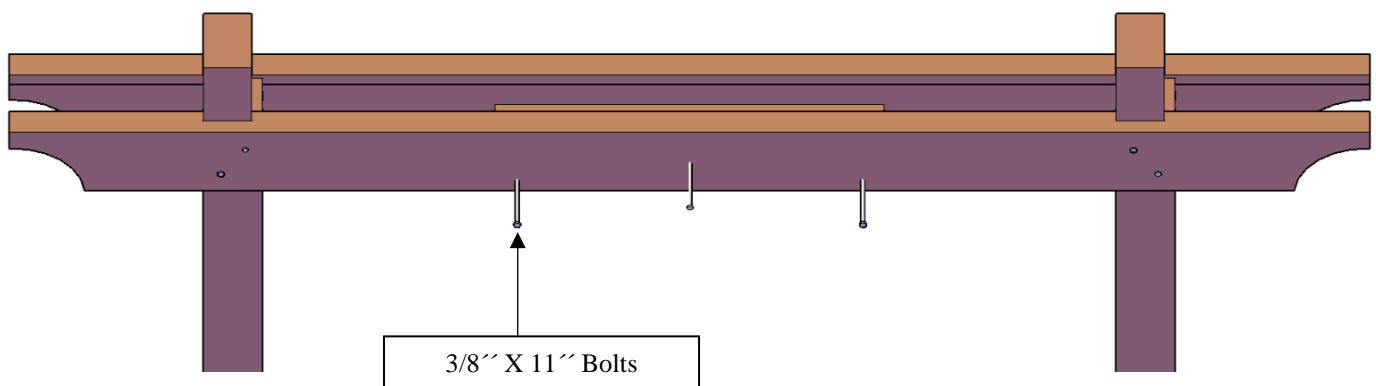
Step 2: Attach the single supports (2) to the posts with 3/8” X 11” bolts (B). Each part has a series of numbers that indicate where to attach the part with the corresponding number.



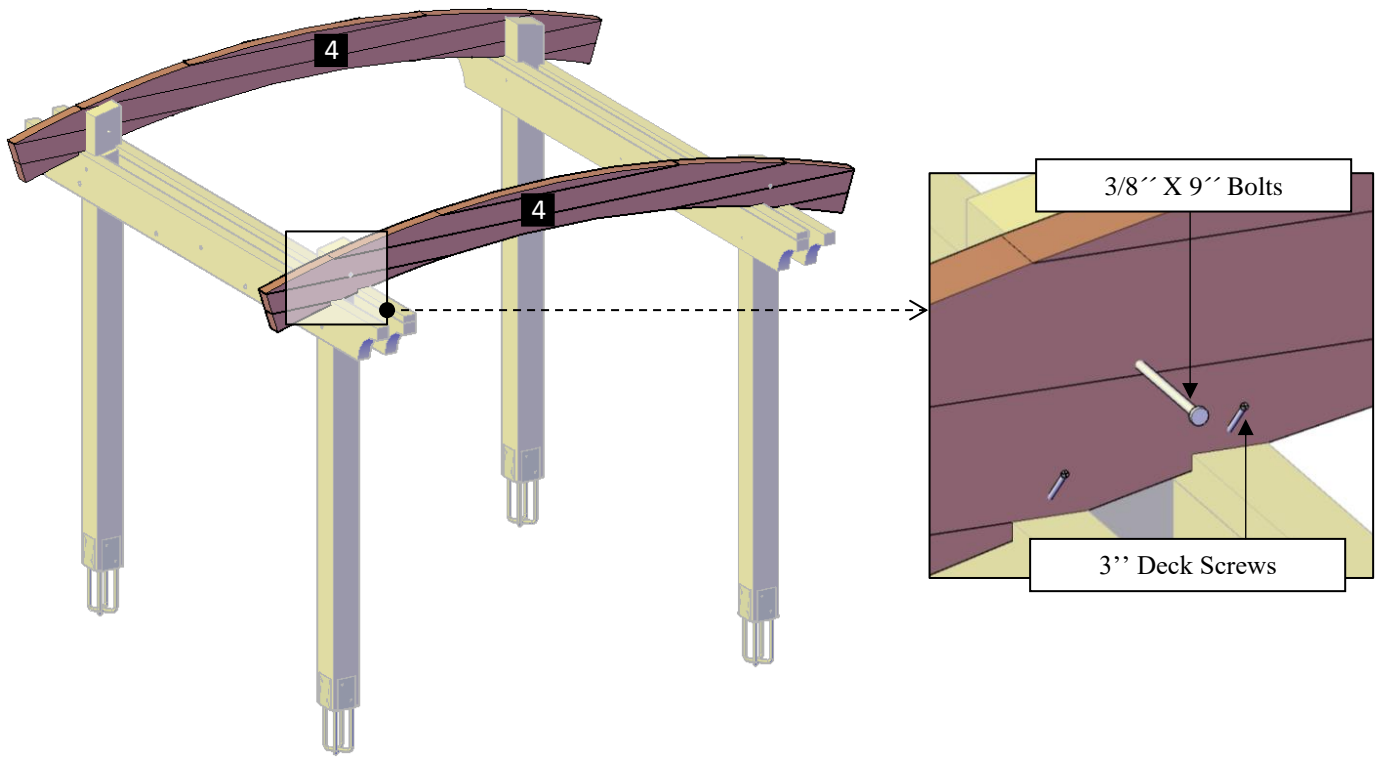
Step 3: Place the supports with in-between blocking (3), into the post notches as shown and attach to the post with the single support bolts. Each part has a series of numbers that indicate where to attach the part with the corresponding number.



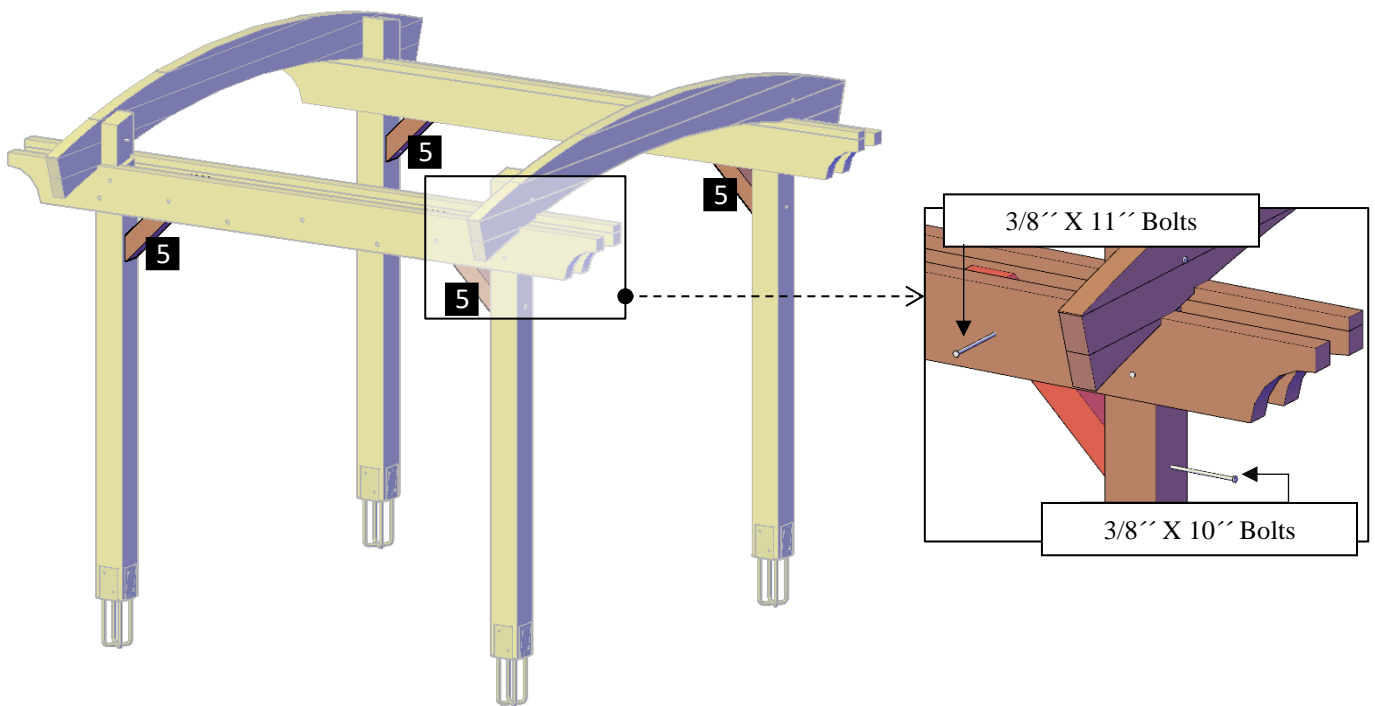
Step 4: Attach the single supports (2) to the supports with in-between blocking (3), use 3/8" X 11" bolts (B). The quantity of bolts depends on the length of the supports.



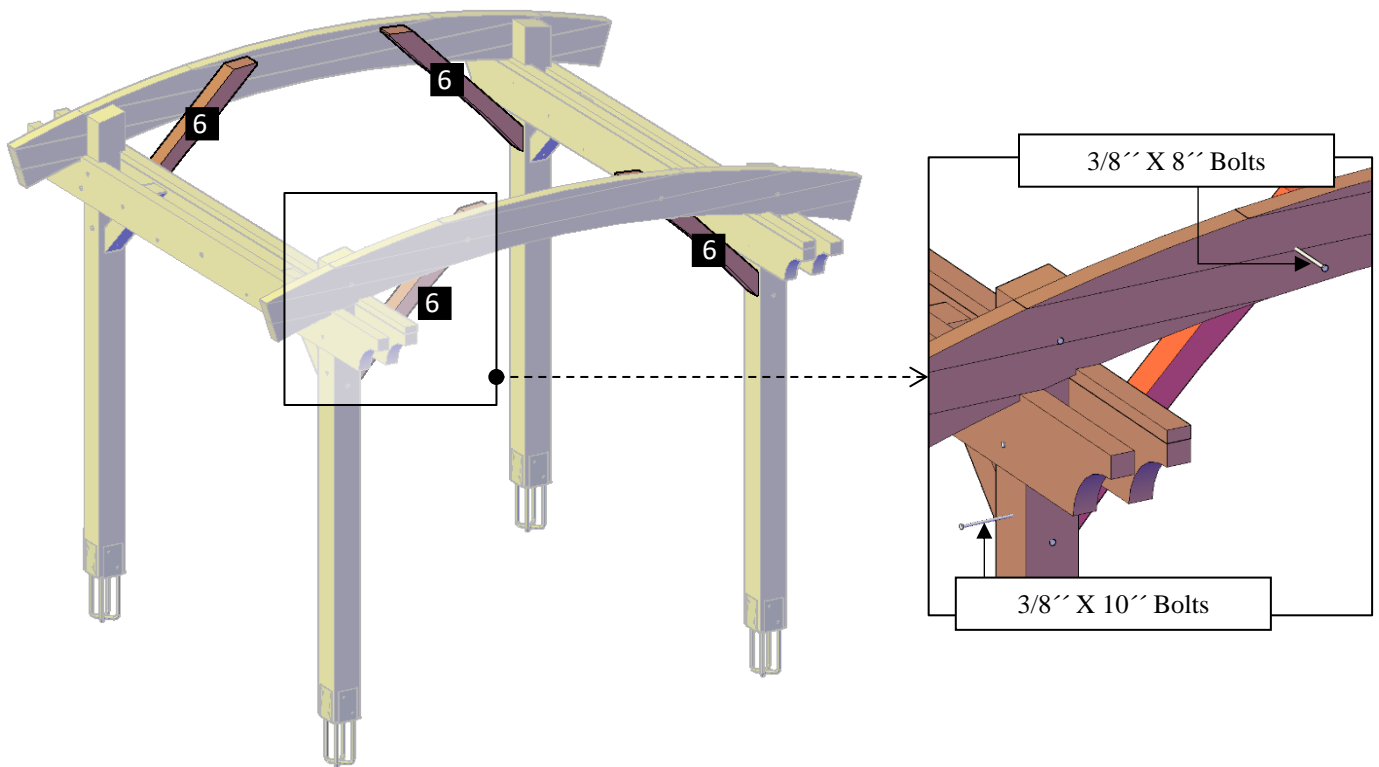
Step 5: Attach the perimeter arched rafters first (4) to the posts with 3/8" x 9" bolts (C) and to the supports with 3" deck screws (D). Each part has a series of numbers that indicate where to attach the part with the corresponding number.



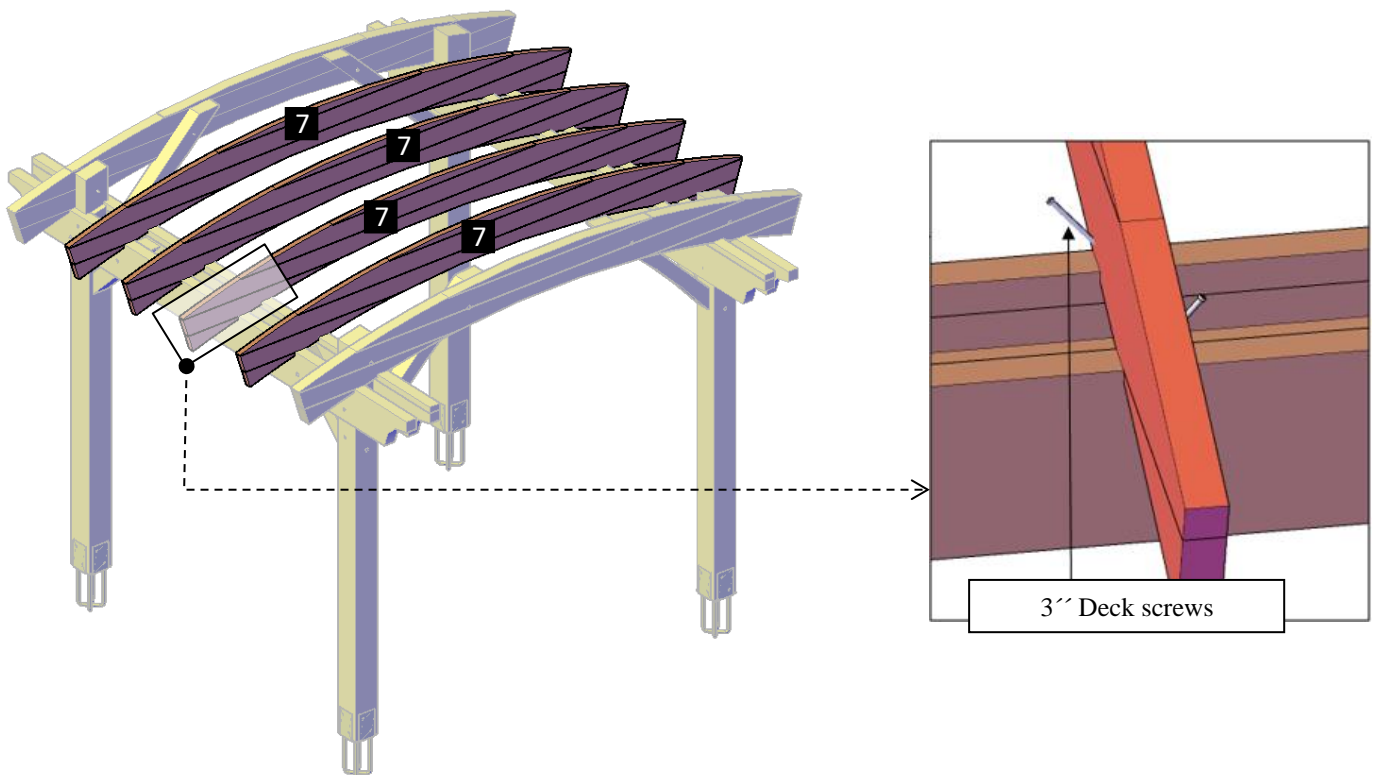
Step 6: Attach the main knee braces (5) to the posts with 3/8" x 10" bolts (E) and to the supports with 3/8" x 11" bolts (B). Each part has a series of numbers that indicate where to attach the part with the corresponding number.



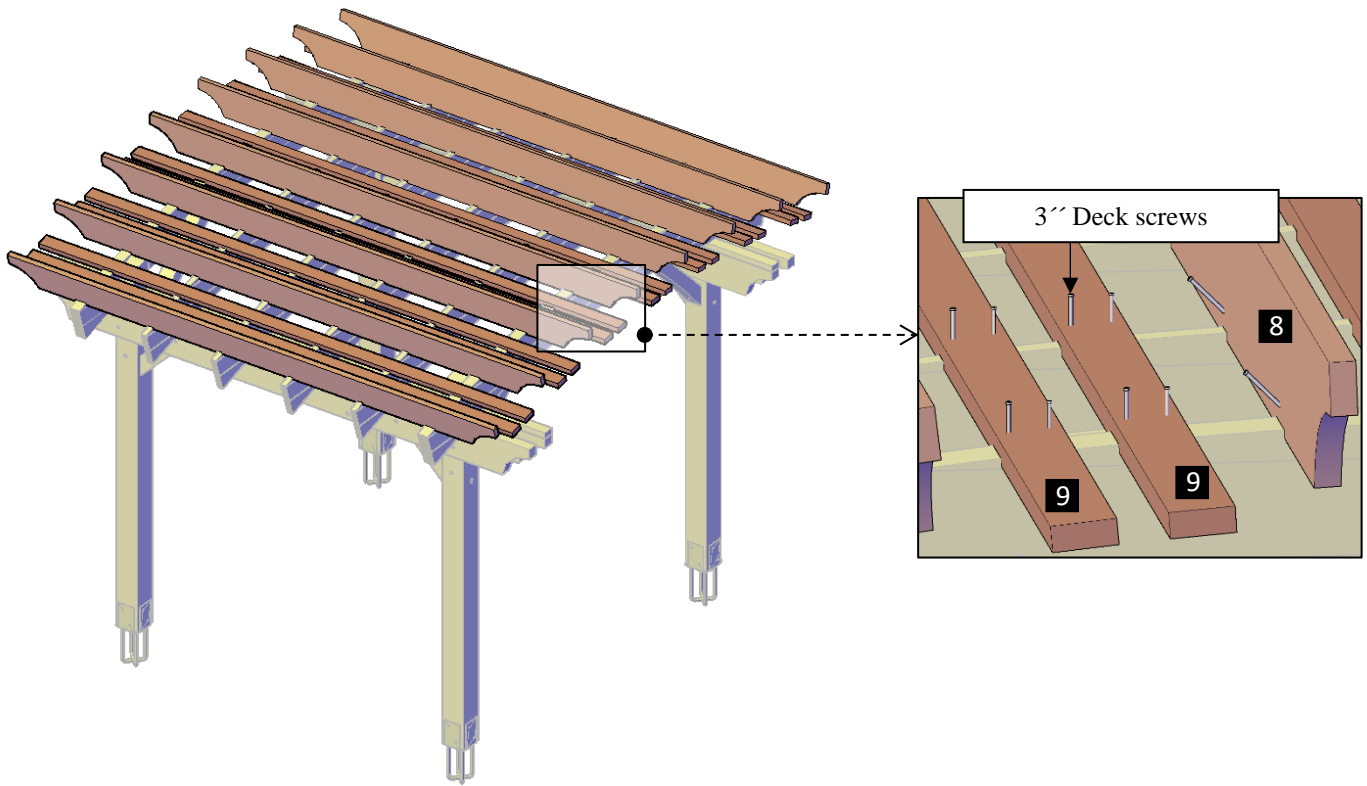
Step 7: Attach the secondary knee braces (6) to the posts with 3/8" x 10" bolts (E) and to the arched rafters with 3/8" x 8" bolts (F). Each part has a series of numbers that indicate where to attach the part with the corresponding number.



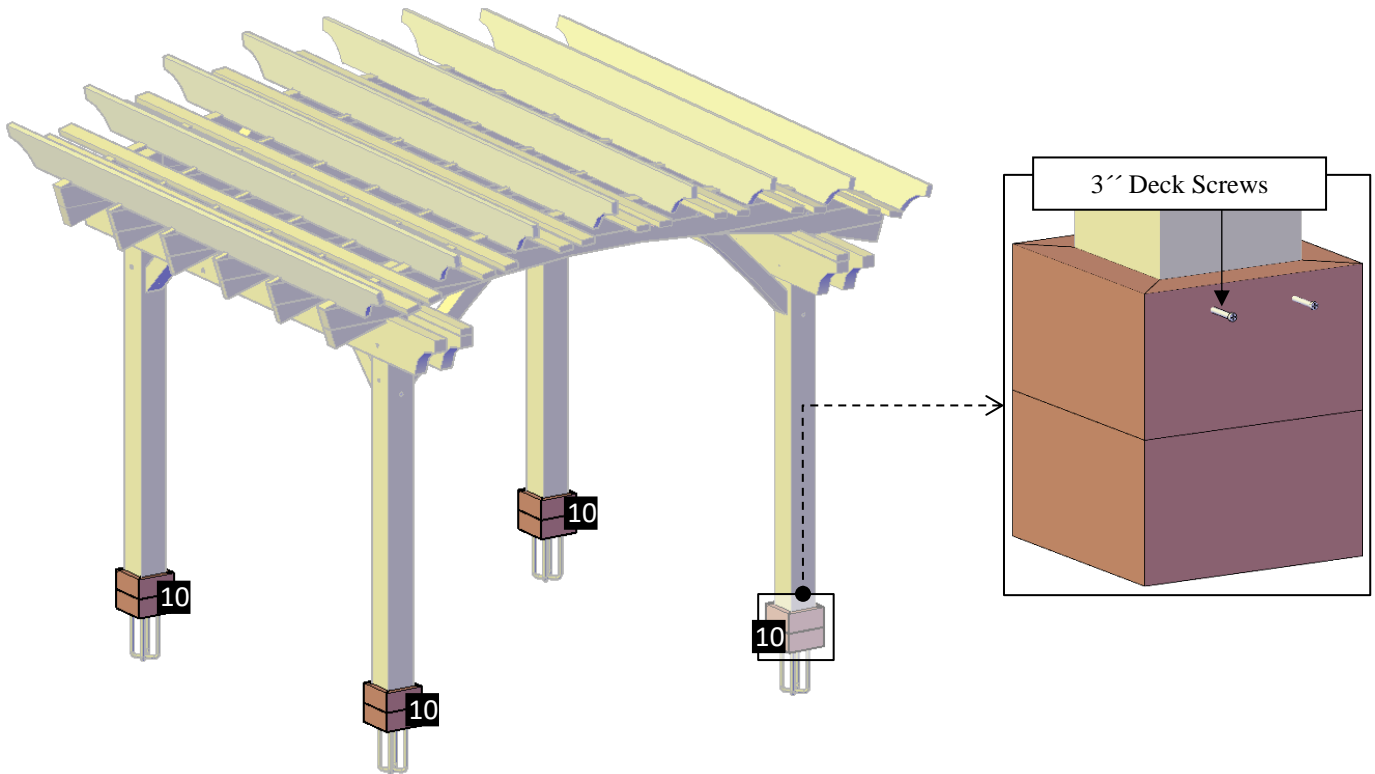
Step 8: Use 8" x 3" deck screws (D) to attach the central arched rafters (7) to the supports. Each part has a series of numbers that indicate where to attach the part with the corresponding number.



Step 9: Use 8" x 3" deck screws (D) to attach the Slats-A (8) and the Slats-B (9) to the arched rafters. Each part has a series of numbers that indicate where to attach the part with the corresponding number.



Step 10: Finally, attach the boots (10) to the posts with 8" x 3" deck screws (D).





This completes the Pergola assembly. Hope you enjoy your set for many decades. If you ever have a problem or a question, don't hesitate to call us (866 332 2403) or email us. We are here to support you.