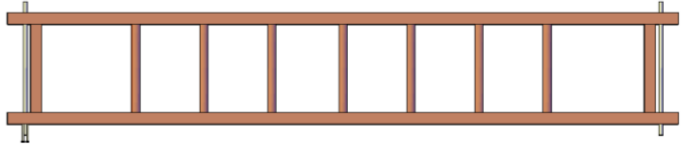

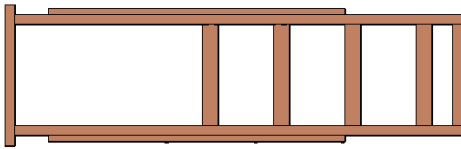


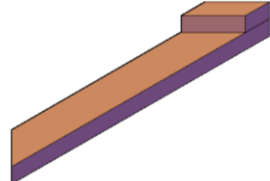


866.332.2403 (Toll Free); 7am-7pm Pacific Time, Monday-Saturday

Assembly Instructions for: **SHELDON'S MONKEY BARS**



CONTENT OF BOXES

Quantity	Description	Drawing
8	5/16 x 4 1/2" Bolts, washers and nuts	
24	5/16 x 3 1/2" Bolts, washers and nuts	
8	5/16 x 5 1/2" Bolts, washers and nuts	
1	Monkey bar railings	
2	Supports	
2	Ladders	
2	Ladder bases	
4	Diagonal base supports	
4	Diagonal braces	

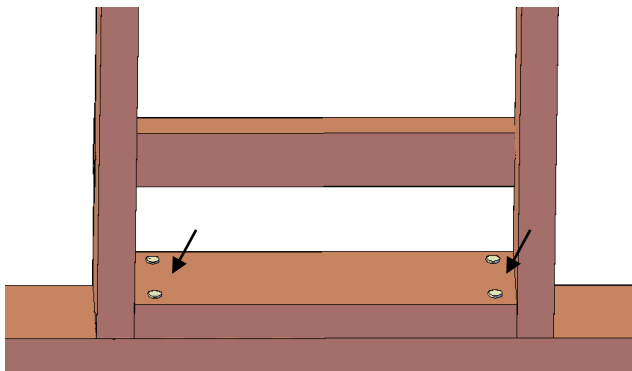
ASSEMBLY INSTRUCTIONS

Thank you for purchasing Forever Redwood patio furniture. Forever Redwood is built by Old-Growth Again Restoration Forestry (OGA). OGA is dedicated to restoration forestry. Sales of patio furniture finance our restoration work in California redwood forestlands.

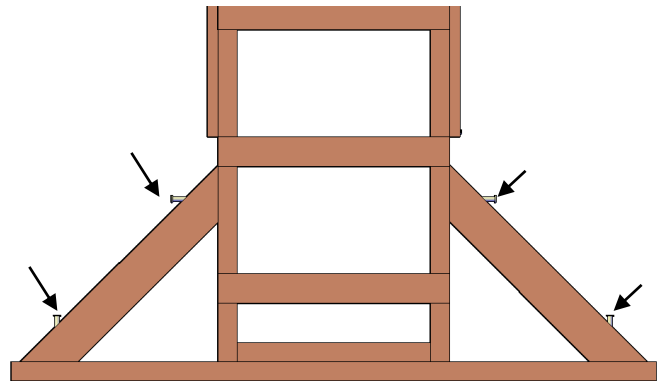
Tools required: ½-inch ratchet and a mallet or small hammer.

The parts that go together have the same numbers written next to the predrilled holes they attach to. Align the parts with the numbers as shown for ease of reference.

Step 1: Attach ladder base to the ladder, with four bolts (3 ½" x 5/16"), washers & nuts. (Match up the numbers to attach the two parts together) Tap the bolt all the way into the wood to set it. Then add a washer and nut and lightly tighten.



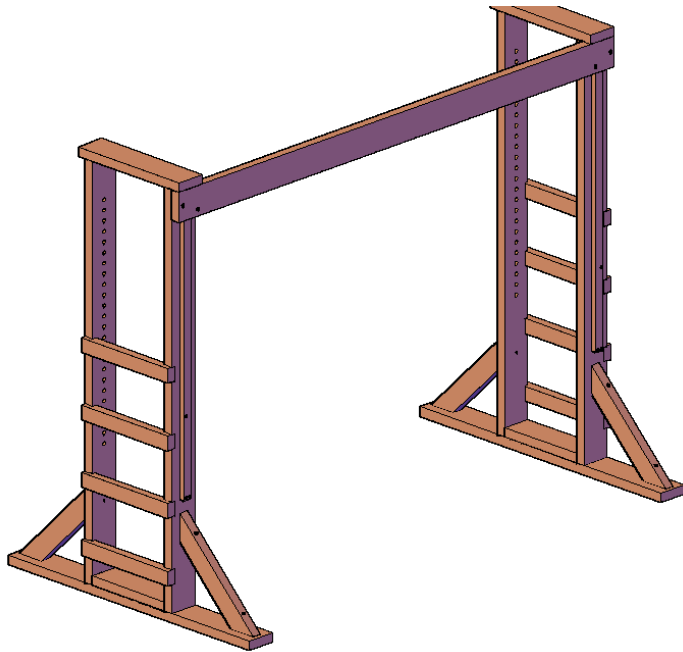
Step 2: Attach the diagonal base supports to the ladder with four bolts (4 ½" x 5/16"), washers & nuts. (Match up the numbers to attach the two parts together) Tap the bolt all the way into the wood to set it. Then add a washer and nut and lightly tighten.



Repeat Step 1 & 2 with the other side.

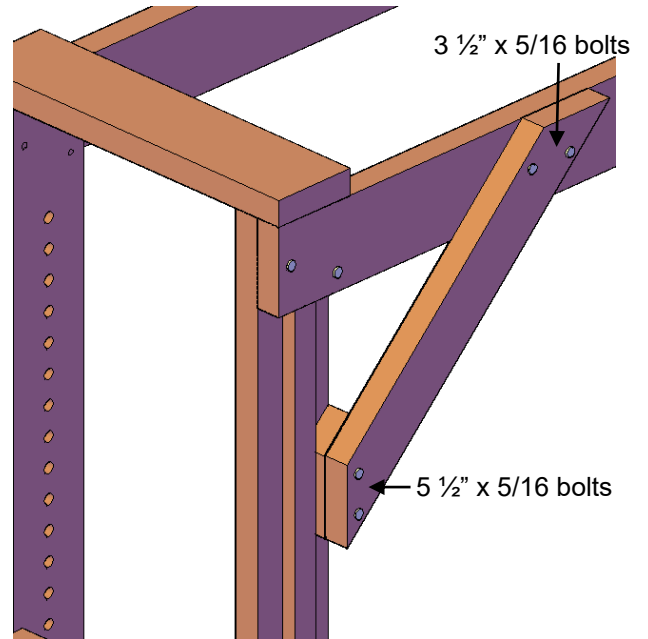
Step 3: Attach the support to the ladders, with four bolts (3 1/2" x 5/16"), washers & nuts. (Match up the numbers to attach the two parts together) Tap the bolt all the way into the wood to set it. Then add a washer and nut and lightly tighten.

Repeat this step with other side.

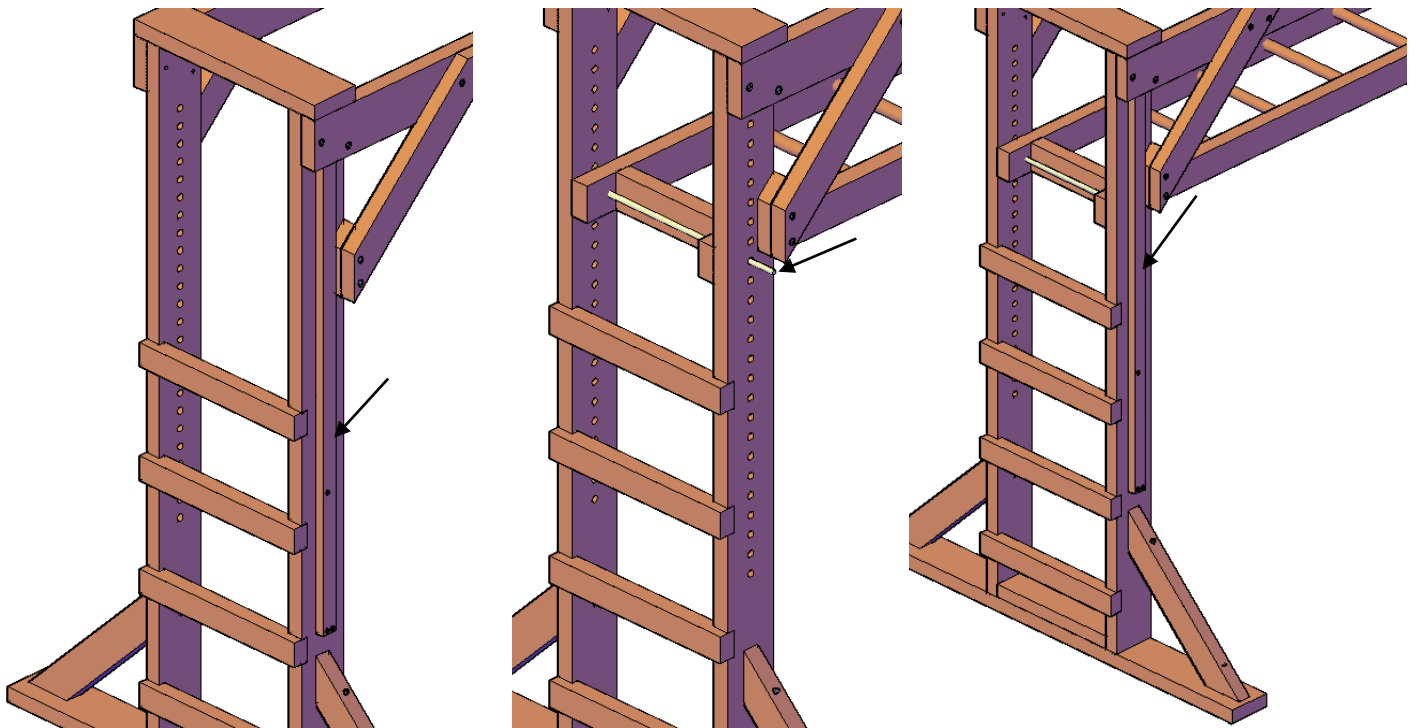


Step 4: Attach the diagonal brace to the ladder and support, with four bolts, washers & nuts. (Match up the numbers to attach the two parts together) Tap the bolt all the way into the wood to set it. Then add a washer and nut and lightly tighten.

Repeat this step with other diagonal braces.



Step 5: Please remove the screws in the trim piece so you can place the bar to the required height and then place the trim piece and screws to cover the holes when you are not adjusting the bar height.



Thank you. If you have any questions, please call or email us.