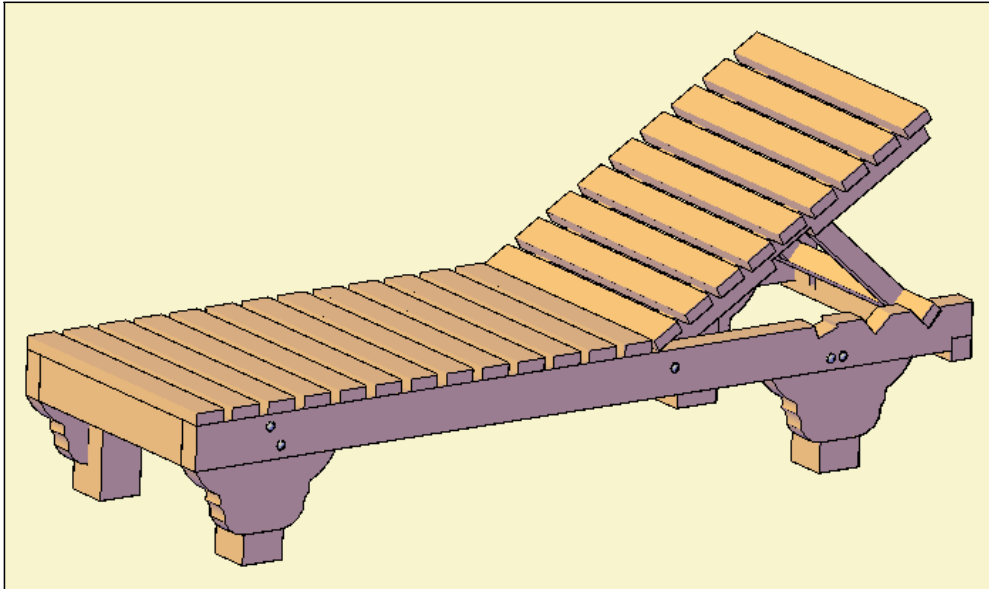
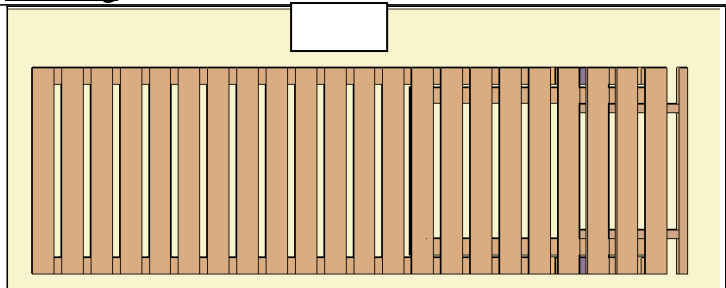


## Assembly instructions for: **SINGLE SOL LOUNGERS**

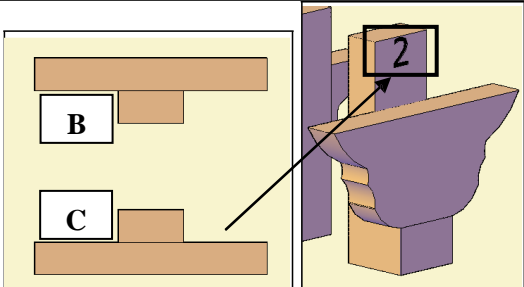
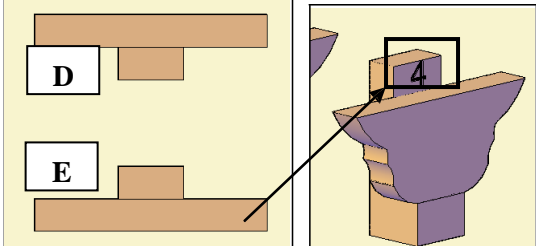


**Number of boxes: 2**

Box 1 of 2:

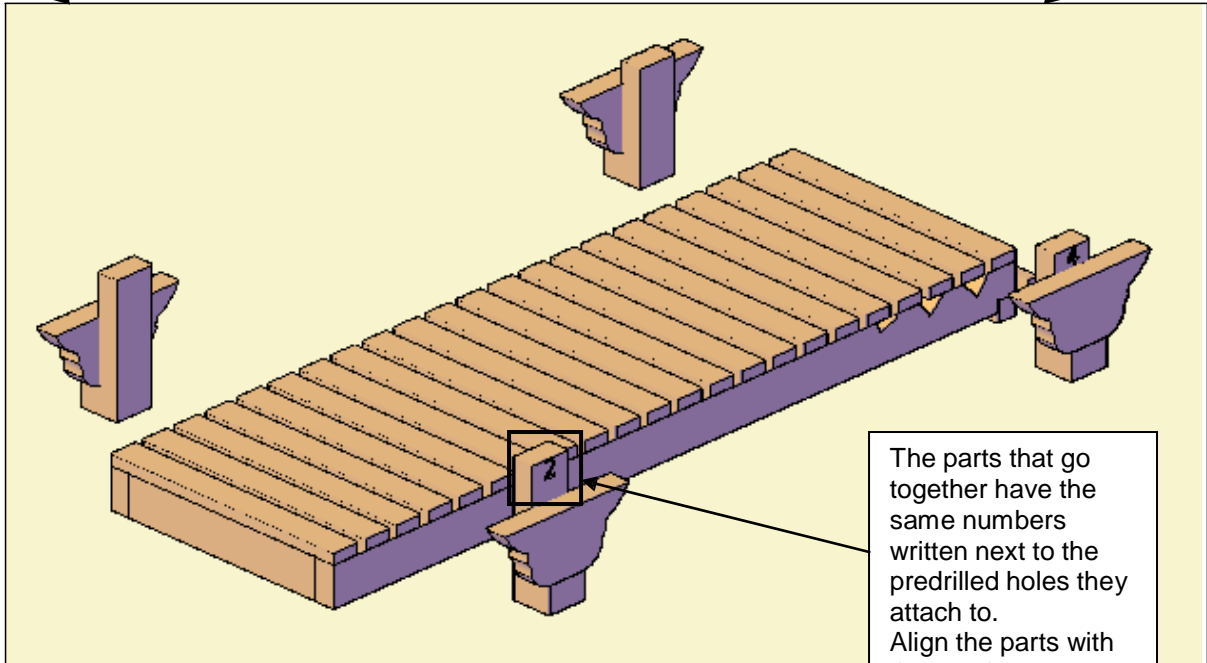
<u>Quantity</u>	<u>Description</u>	<u>Drawing</u>
1	Seat and Backrest (A)	

Box 2 of 2:

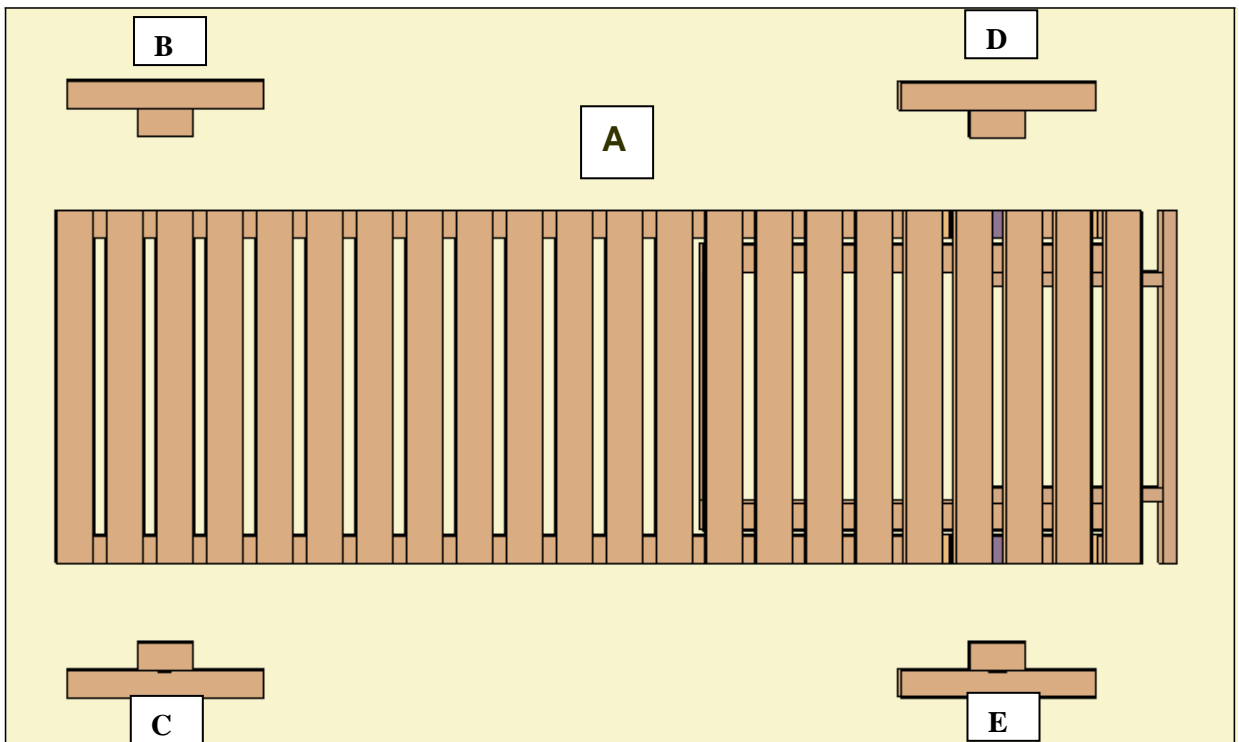
<u>Quantity</u>	<u>Description</u>	<u>Drawing</u>
8	Bolts 3 1/2 , Washers and Nuts	
2	Front Legs (B, C)	
2	Backrest Legs (Shorter Legs)	

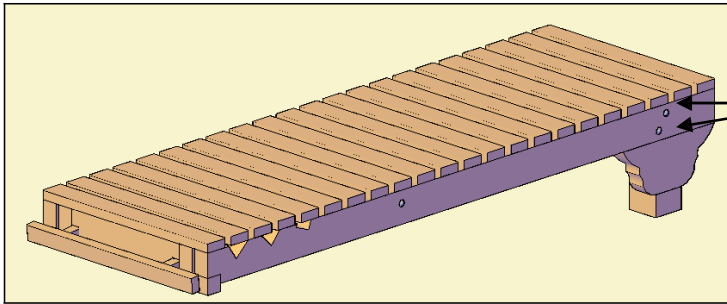
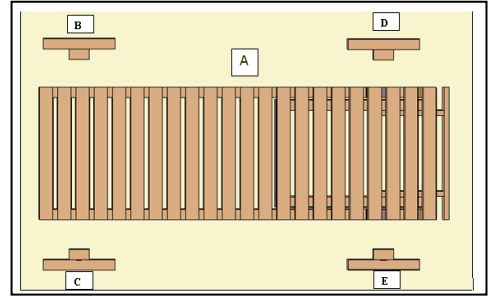
# ASSEMBLY INSTRUCTIONS

## CONTENT OF THE BOXES



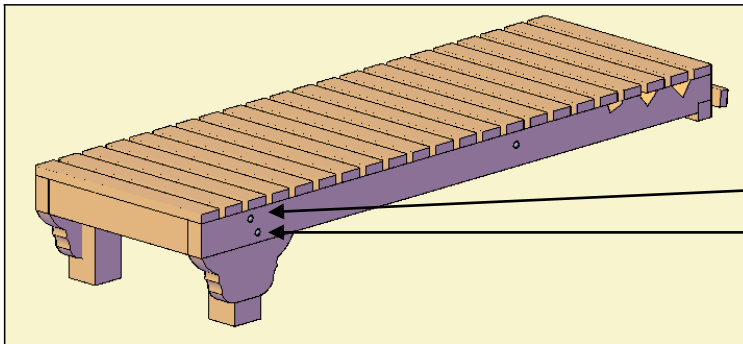
The parts that go together have the same numbers written next to the predrilled holes they attach to. Align the parts with the numbers as shown for ease of reference.





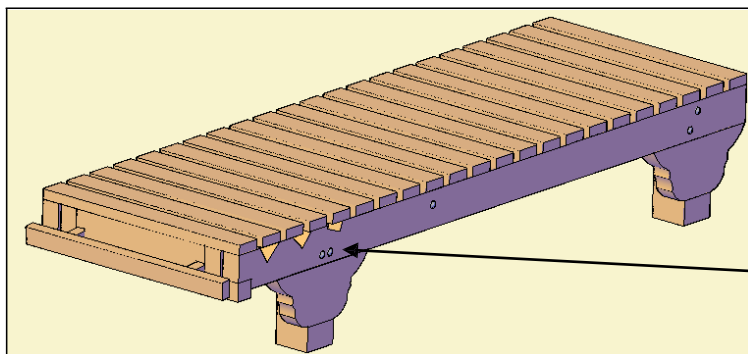
**STEP 1:**

Attach part B (legs of seat) to part A (Seat and Backrest), with two bolts (3 1/2" x 5/16"), washers & nuts. (Holes number one into holes number one). Tap the bolt all the way into the wood to set it, then add a washer and nut and lightly tighten.



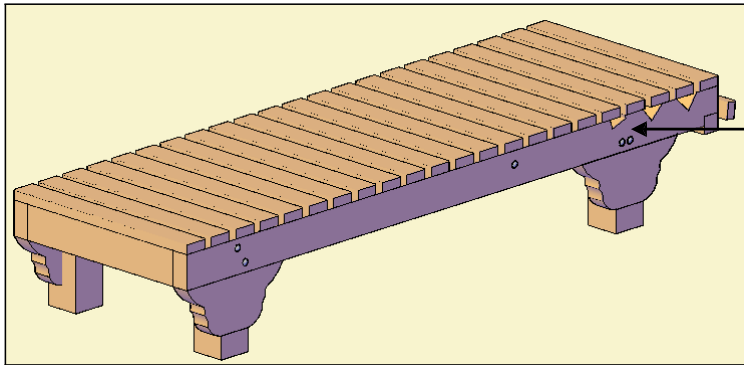
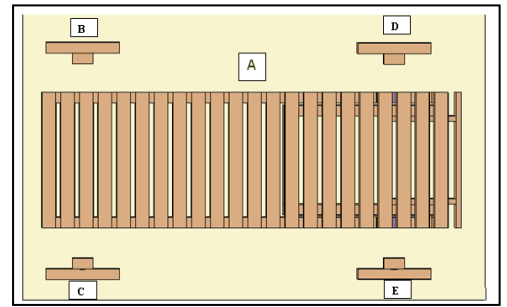
**STEP 2:**

Attach part C (legs of seat) to part A (Seat and Backrest), with two bolts (3 1/2" x 5/16"), washers & nuts. (Holes number two into holes number two). Tap the bolt all the way into the wood to set it, then add a washer and nut and lightly tighten.



**STEP 3:**

Attach part D (legs of backrest) to part A (Seat and Backrest), with two bolts (3 1/2" x 5/16"), washers & nuts. (Holes number three into holes number three). Tap the bolt all the way into the wood to set it, then add a washer and nut and lightly tighten.



**STEP 4:**

Attach part E (legs of backrest) to part A (Seat and Backrest), with two bolts (3 1/2" x 5/16"), washers & nuts. (Holes number four into holes number four). Tap the bolt all the way into the wood to set it, then add a washer and nut and lightly tighten.

