



FOREVER REDWOOD

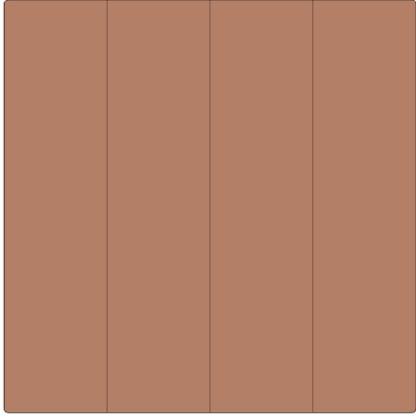

From the Forest, For the Forest since 1995

866.332.2403 (TOLL FREE); 7am – 7pm Pacific Time, Monday-Saturday

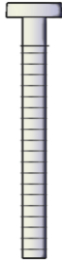
ASSEMBLY INSTRUCTIONS FOR THE **SQUARE SIDE TABLES**



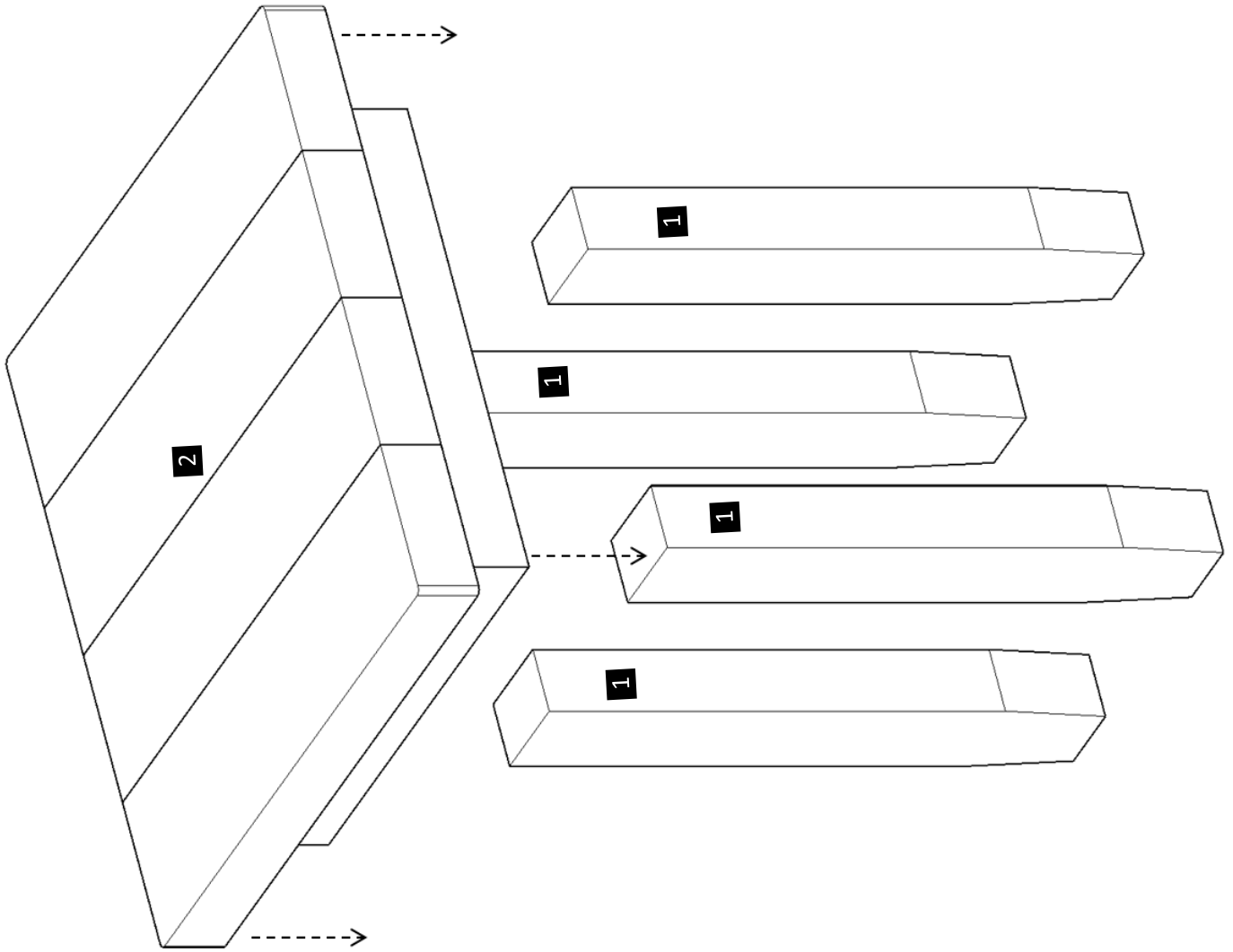


CONTENT OF BOXES		
Qty.	Description	Drawing
1	Tabletop	
4	Legs	
		No. 1
		No. 2

Note: Part numbers in the Content of Boxes Table are for reference only. These do not match to the numbers marked on the parts sent.

HARDWARE LIST		
Description	Drawing	No.
5/16" X 3 1/2" Bolts (To attach the Seat to the legs).		A

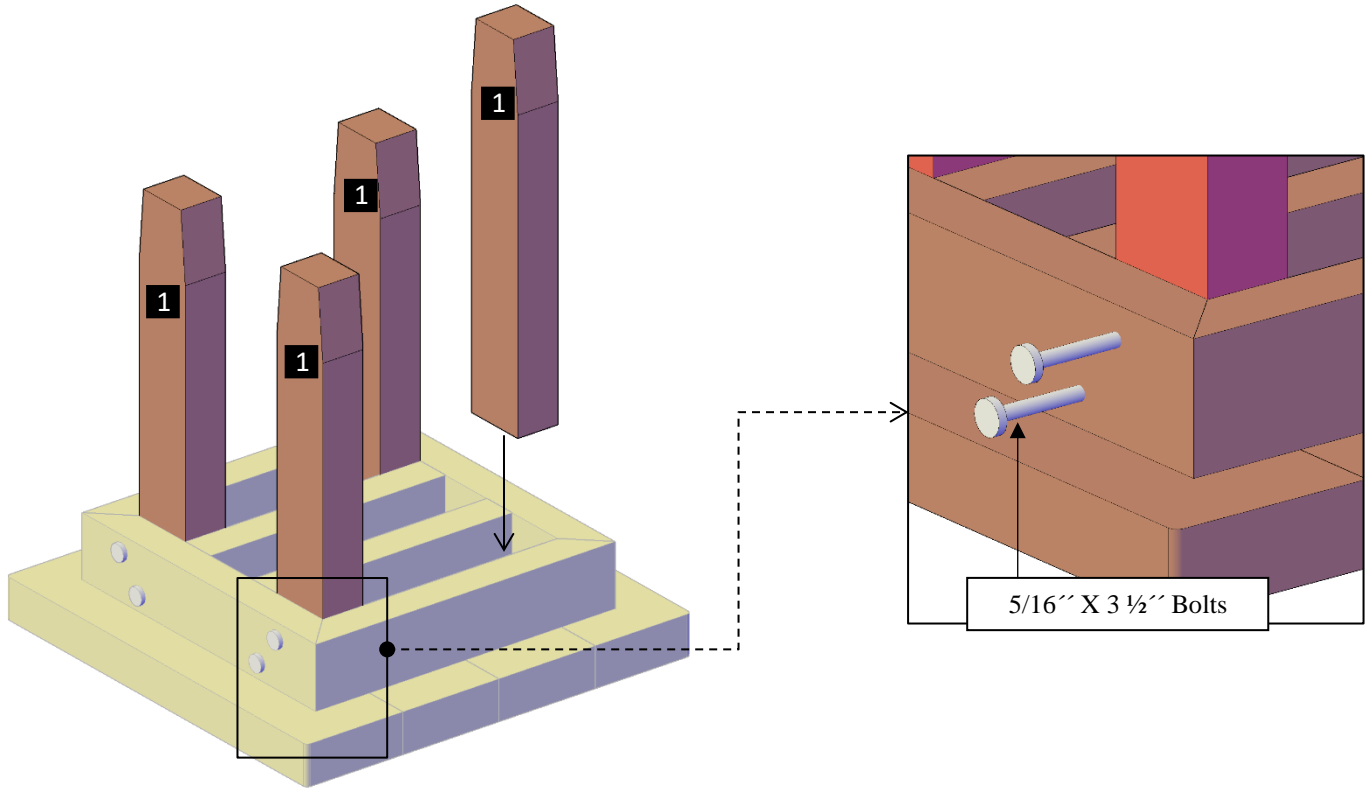
Note: Dimensions of your hardware will vary depending on size.



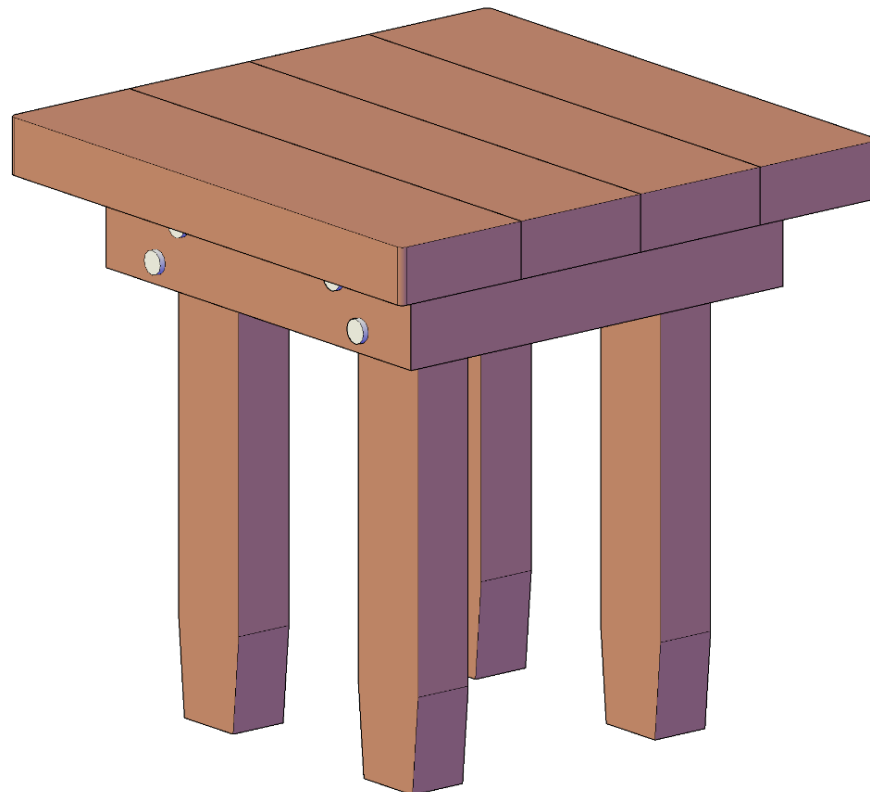
DESCRIPTION	No
Tabletop	1
Legs	2

Note: Part numbers in the Drawing are for reference only. These do not match to the numbers marked on the parts sent.

Step 1: Place the tabletop upside down. After that, use 5/16" x 3 1/2" bolts (A) to attach the legs (1) to the tabletop (2). Each part has a series of numbers that indicate where to attach the part with the corresponding number.



Step 2: Turn tabletop over is feet.





This completes the Table Assembly. Hope you enjoy your set for many decades. If you ever have a problem or a question, don't hesitate to call us (866 332 2403) or email us. We are here to support you.