



FOREVER REDWOOD




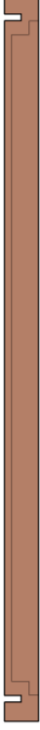



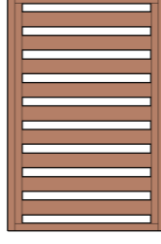
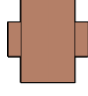


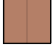
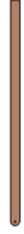


From the Forest, For the Forest since 1995

866.332.2403 (TOLL FREE); 7am – 7pm Pacific Time, Monday-Saturday


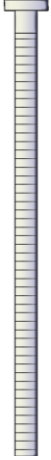


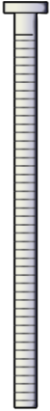



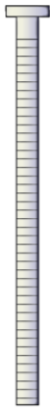

ASSEMBLY INSTRUCTIONS FOR STANDARD FREE STANDING MODERN FAT TMBER PERGOLA



CONTENT OF BOXES

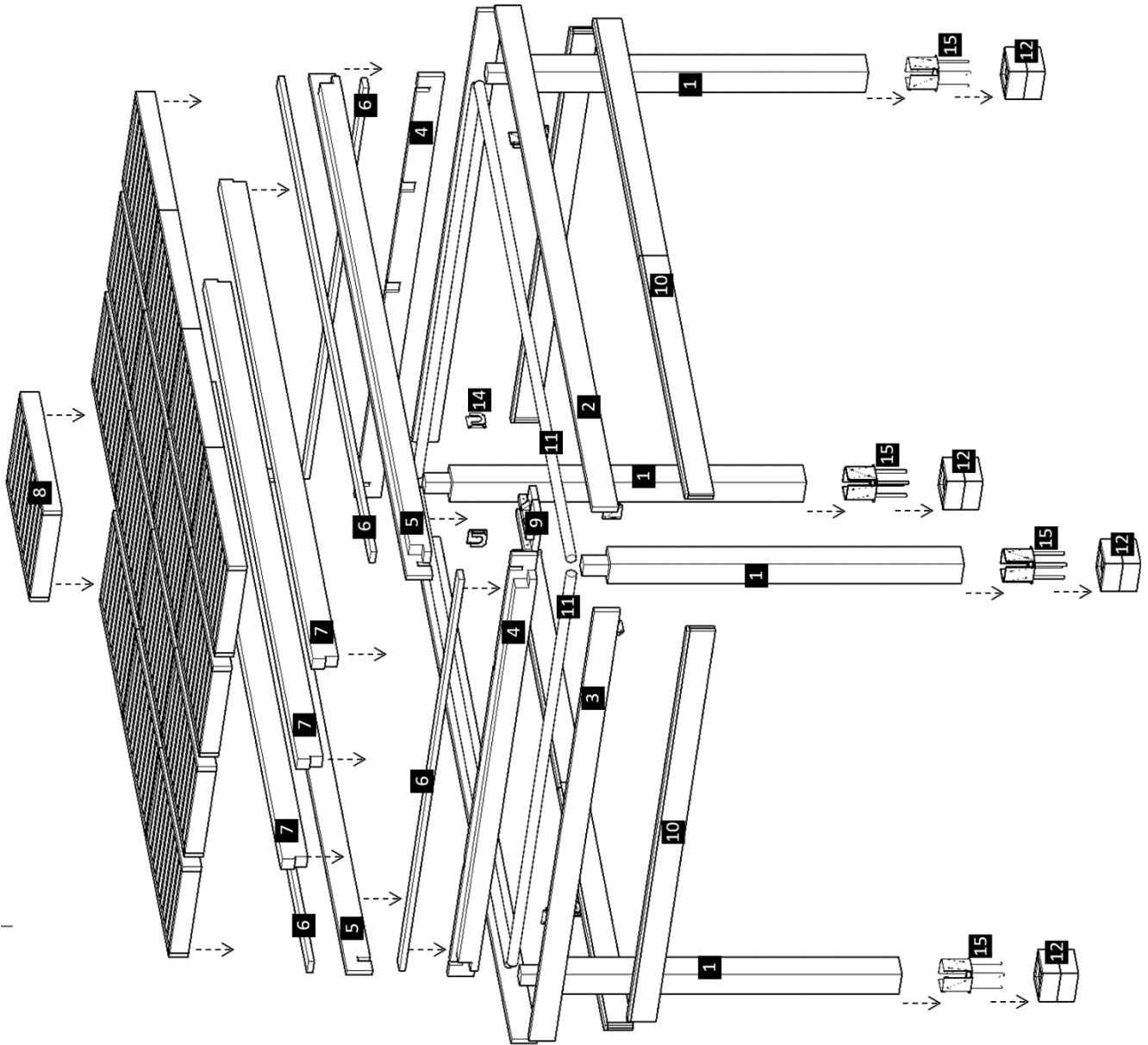
Description	Drawing	No.
Posts		1
Long Single Supports		2
Short Single Supports		3
Short Supports with In-Between Blocking		4
Long Supports with In-Between Blocking		5
In-Between Covers		6
Central Supports		7
Roof Panels		8
Ceiling Fan Base If ordered		9
Curtain Rod Fascia' s		10
Curtain Rods		11
Boots If ordered		12
Louver Extension Pole		13
Curtain Rod Bases		14
Standard, Gale Wind or Hurricane Anchor Bases. If ordered		15



HARDWARE LIST		Qty.
No.	Drawing	
A		Will vary
B		
C		
D		
E		
F		
G		
H		
I		
J		

Note: Part numbers in the Content of Boxes Table are for reference only. These do not match to the numbers marked on the parts sent.

Description
3/8" X 3" Lag Bolts (To attach the anchor bases to the posts).
3/8" X 8" Bolts (To attach the single supports to the posts).
3/8" X 4" Lag bolts (To attach the single supports together).
3/8" X 6" Lag Bolts (To attach the supports with in-between blocking to the single supports).
3/8" X 7 1/4" Bolts (To attach the supports with in-between blocking to the single supports).
3" Deck Screws (To attach the in-between covers to the supports with in-between blocking. / To attach the curtain rod bases to the posts and to the supports. / To attach the boots to the posts).
3/8" X 12" Lag bolts (To attach the central supports to the short supports).
5/16" X 3" Lag Bolts (To attach the louvered panels to the long supports and to the central supports).
3/8" X 7" Bolts (To attach the ceiling fan base to the central support).
1 5/8" Deck Screws (To attach the curtain bases to the posts).

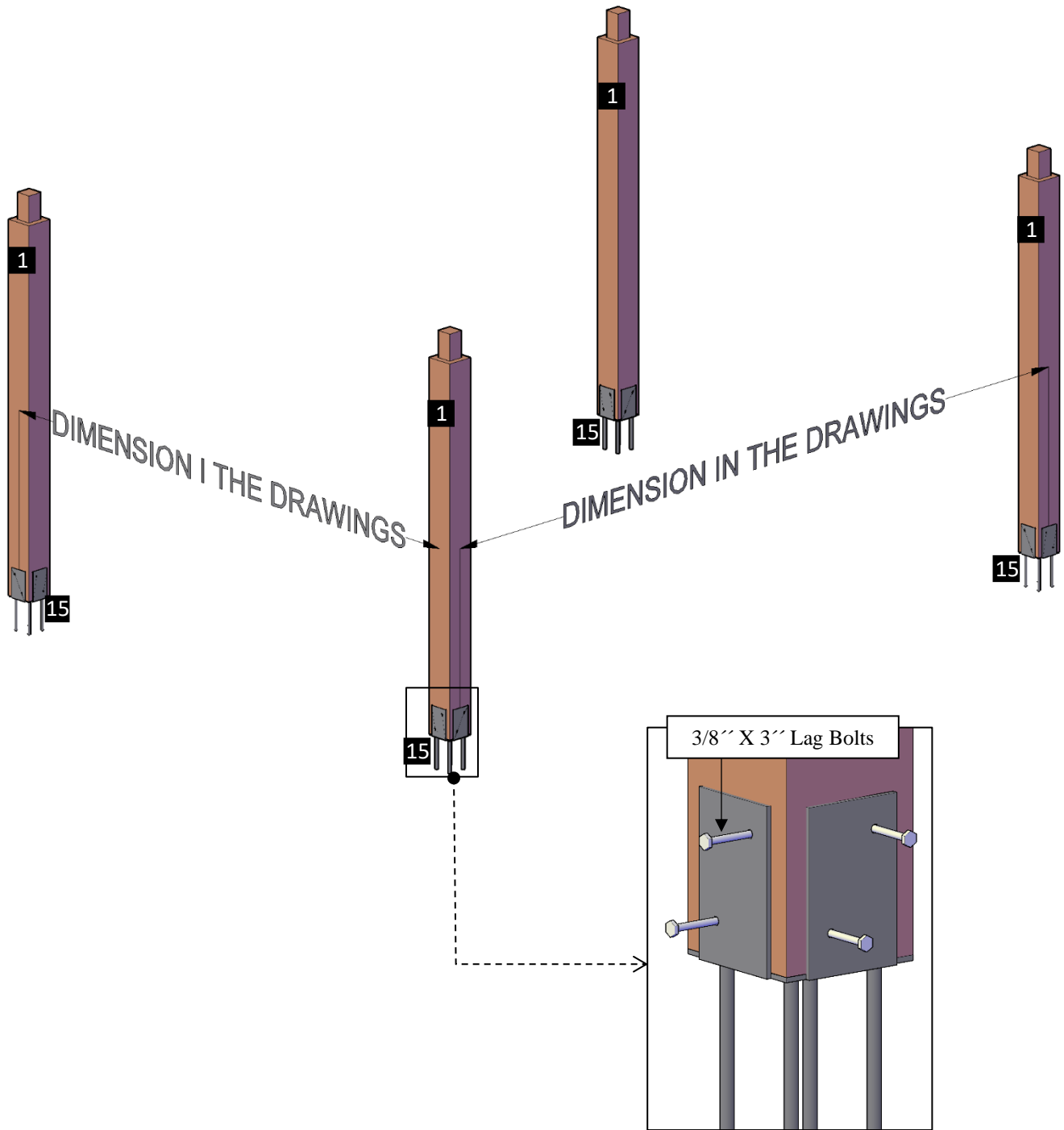


DESCRIPTION	No
Posts	1
Long Single Supports	2
Short Single Supports	3
Short Supports with In-Between Blocking	4
Long Supports with In-Between Blocking	5
In-Between Covers	6
Central Supports	7
Louvered Panels	8
Ceiling Fan Base	9
Curtain Rod Fascia's	10
Curtain Rods	11
Boots	12
Louver Extension Pole	13
Curtain Rod Bases	14
Anchors Bases	15

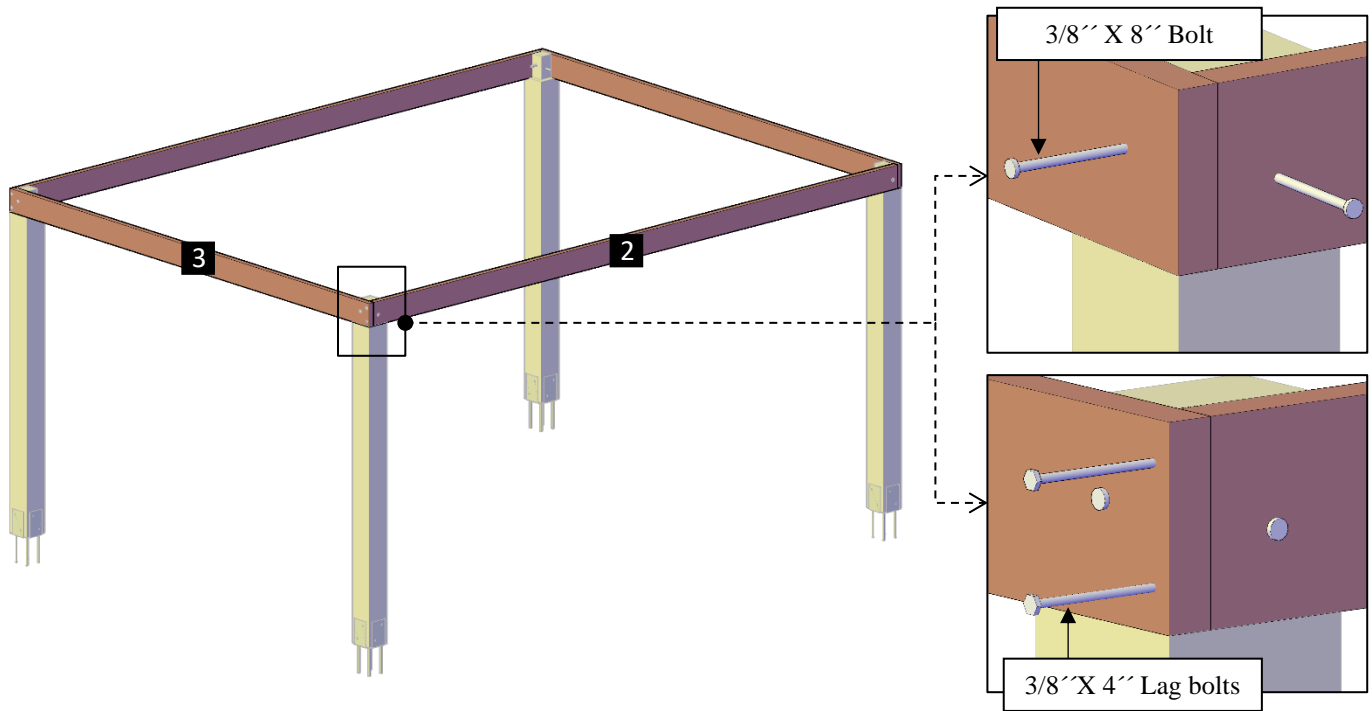
Note: Part numbers in the Drawing are for reference only. These do not match to the numbers marked on the parts sent.

NOTE: In order to know where the post needs to be placed, check the numbers on them. If the post is not marked, then place the single Supports on the ground to locate the markings for each post position and clearly set your bearings. (“Don’t attach yet, only place them on the ground to begin with”).

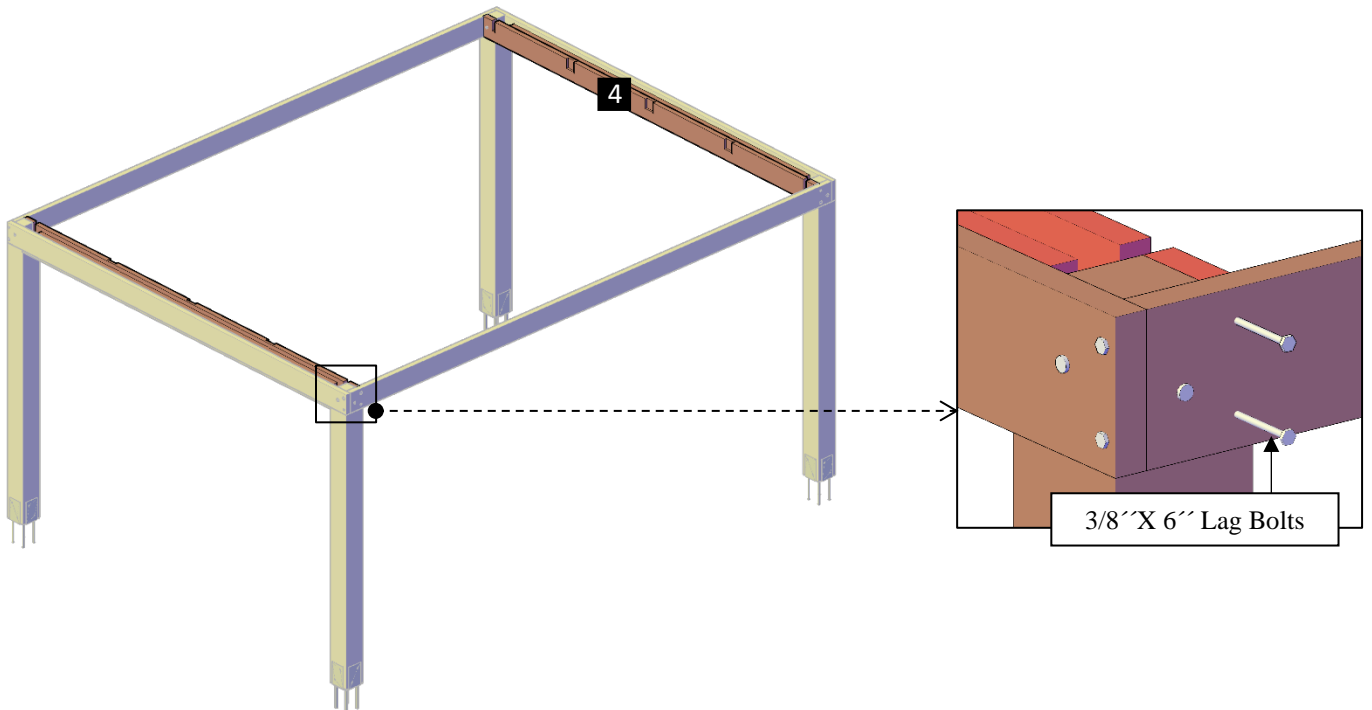
Step 1: Install the anchor base (15) with ½” X 4” anchor bolts or lag bolts. Please see the “How to anchor your pergola document” for all details. Set your post (1) in the saddle of the anchor bases (15). Drill a ø ¼” hole in the post prior to anchoring to facilitate the ratcheting of the hardware. After that, use a 3/8” X 3” lag bolts (A) to attach each post to the its respective anchor base (15).



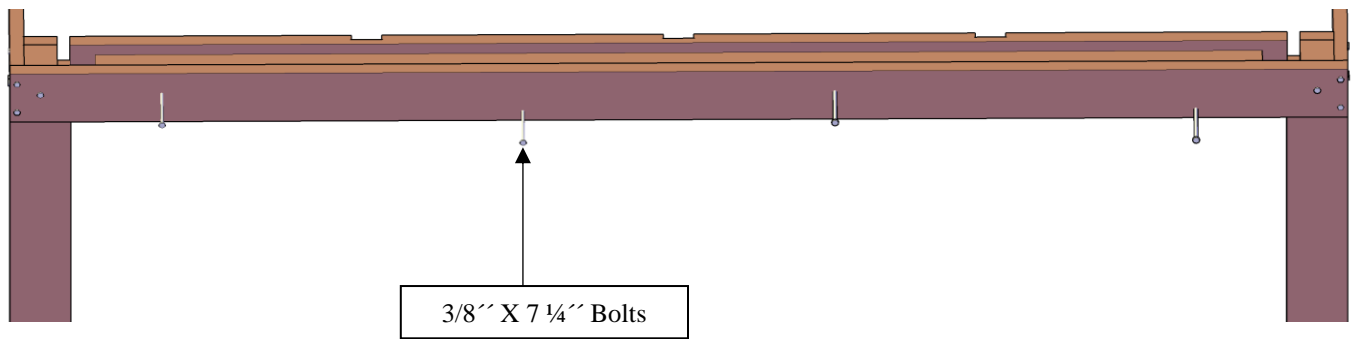
Step 2: Attach the short and the long single supports (2,3) to the posts with 3/8" X 8" bolts (B) with washers and nuts. After that, use 3/8" X 4" lag bolts (C) with washers to attach the single supports together. Each part has a series of numbers that indicate where to attach the part with the corresponding number.



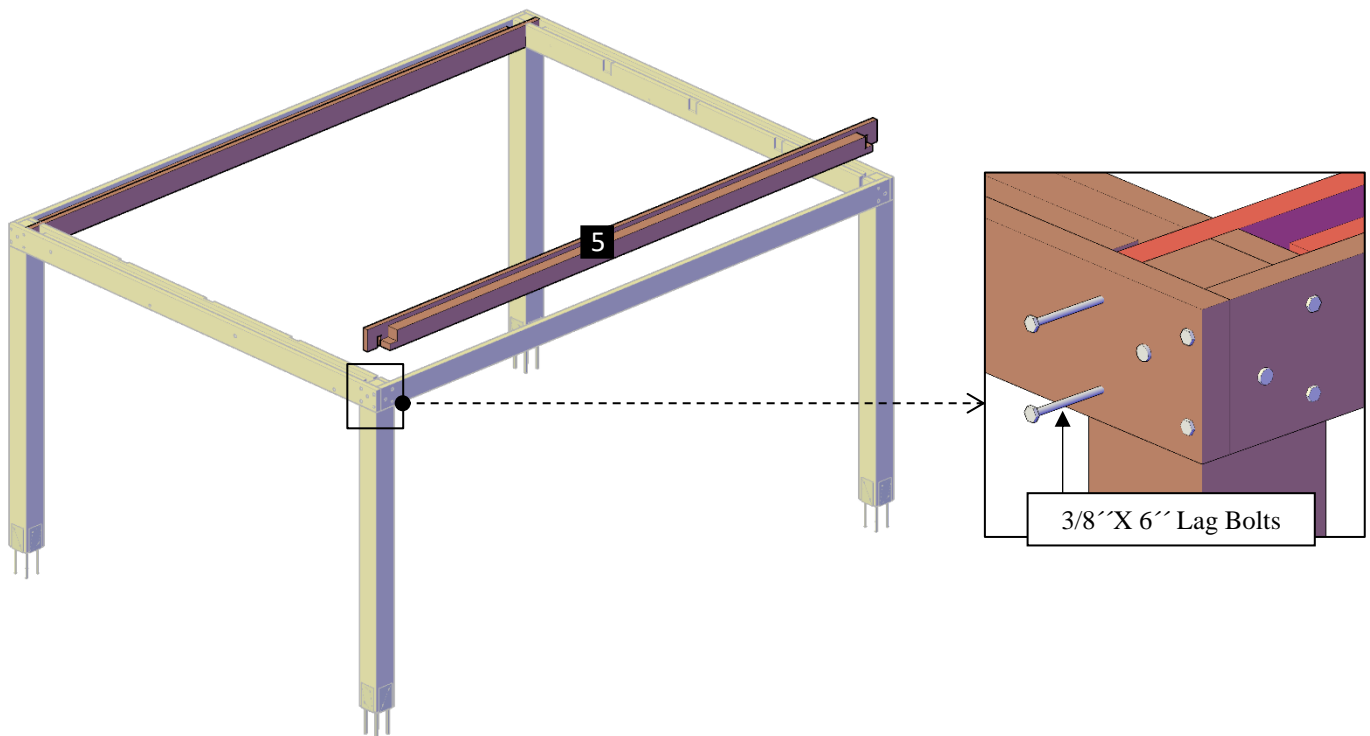
Step 3: Put up the short supports with in-between blocking (4), into the post notches as shown and attach to the posts with the single support bolts. After that, attach the short supports with in-between blocking to the short single supports, used 3/8" x 6" lag bolts (D) with washers. Each part has a series of numbers that indicate where to attach the part with the corresponding number.



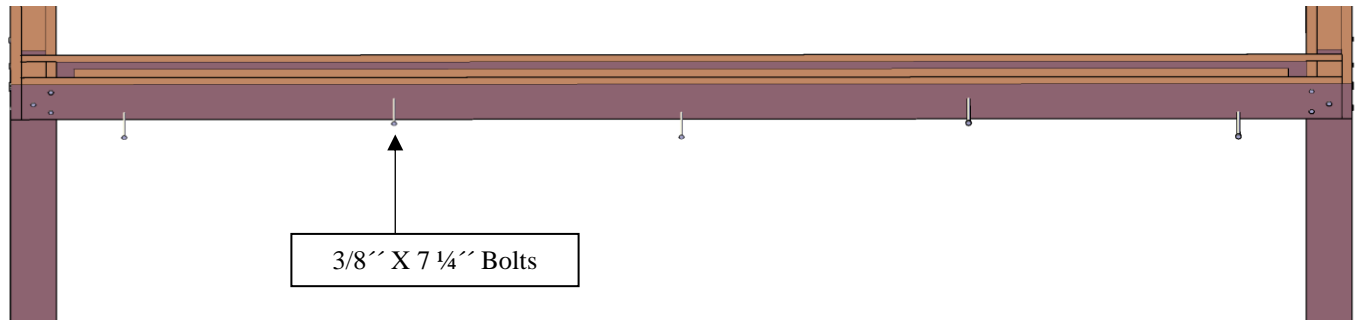
Step 4: Attach the shorts supports with in-between blocking (4) to the short single supports (3) with 3/8" x 7 1/4" bolts (E). Each part has a series of numbers that indicate where to attach the part with the corresponding number.



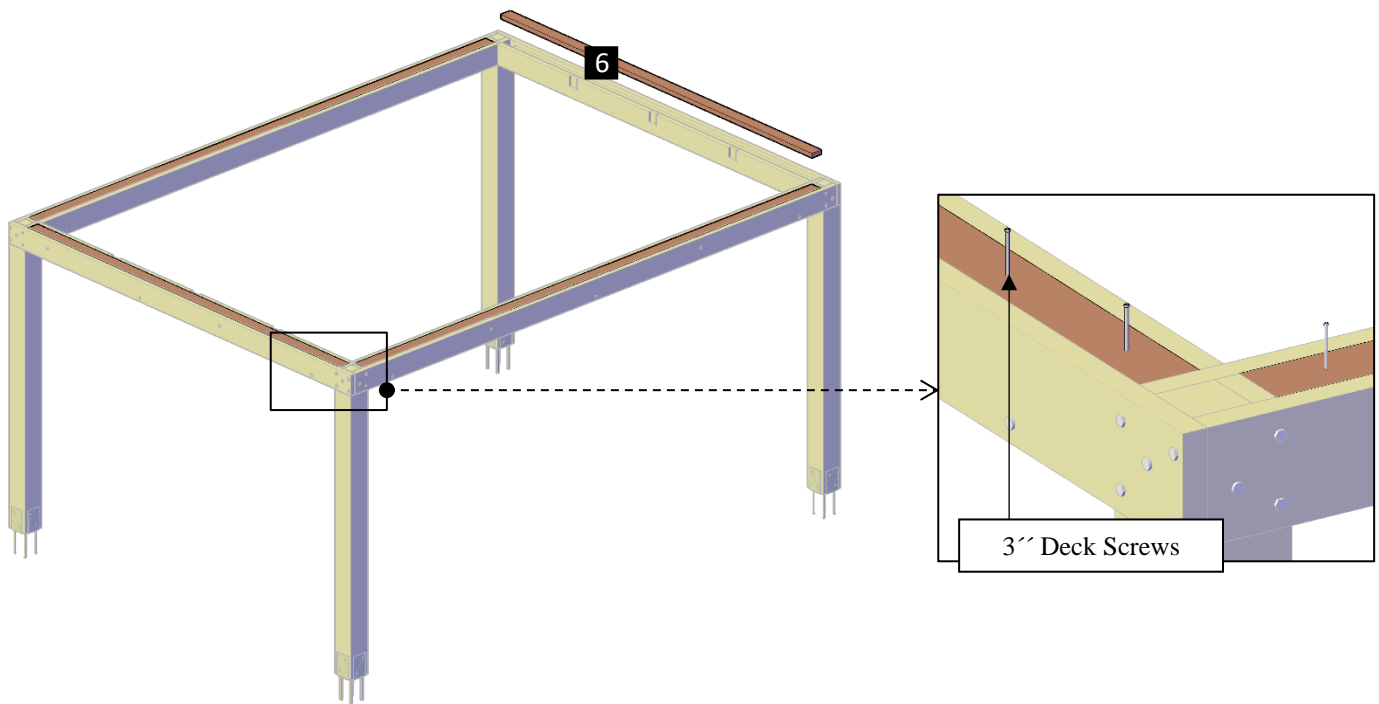
Step 5: Put up the long supports with in-between blocking (5), into the post notches as shown and attach to the posts with the single support bolts. After that, attach the long supports with in-between blocking to the long single supports, used 3/8" x 6" lag bolts (D) with washers. Each part has a series of numbers that indicate where to attach the part with the corresponding number.



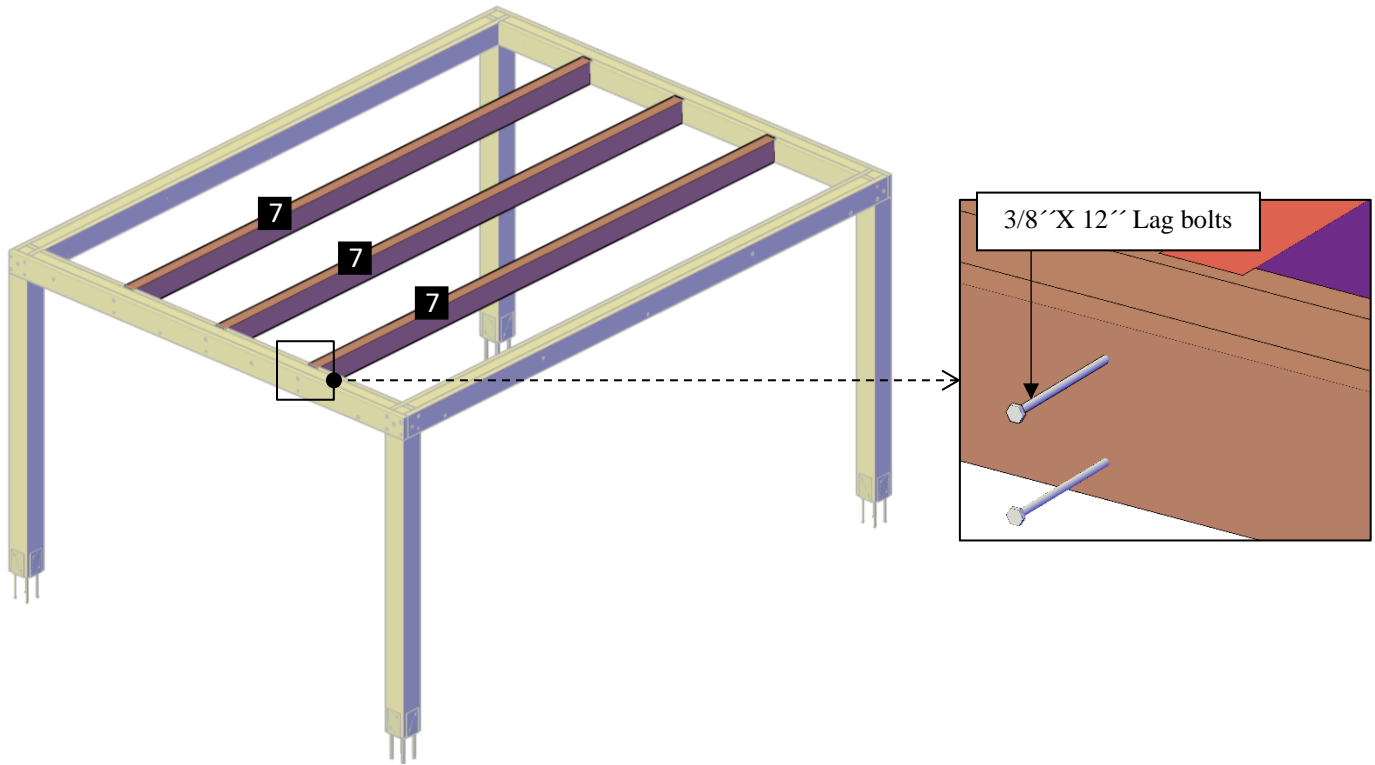
Step 6: Attach the long supports with in-between blocking (5) to the long single supports (2) with 3/8" x 7 1/4" bolts (E). Each part has a series of numbers that indicate where to attach the part with the corresponding number.



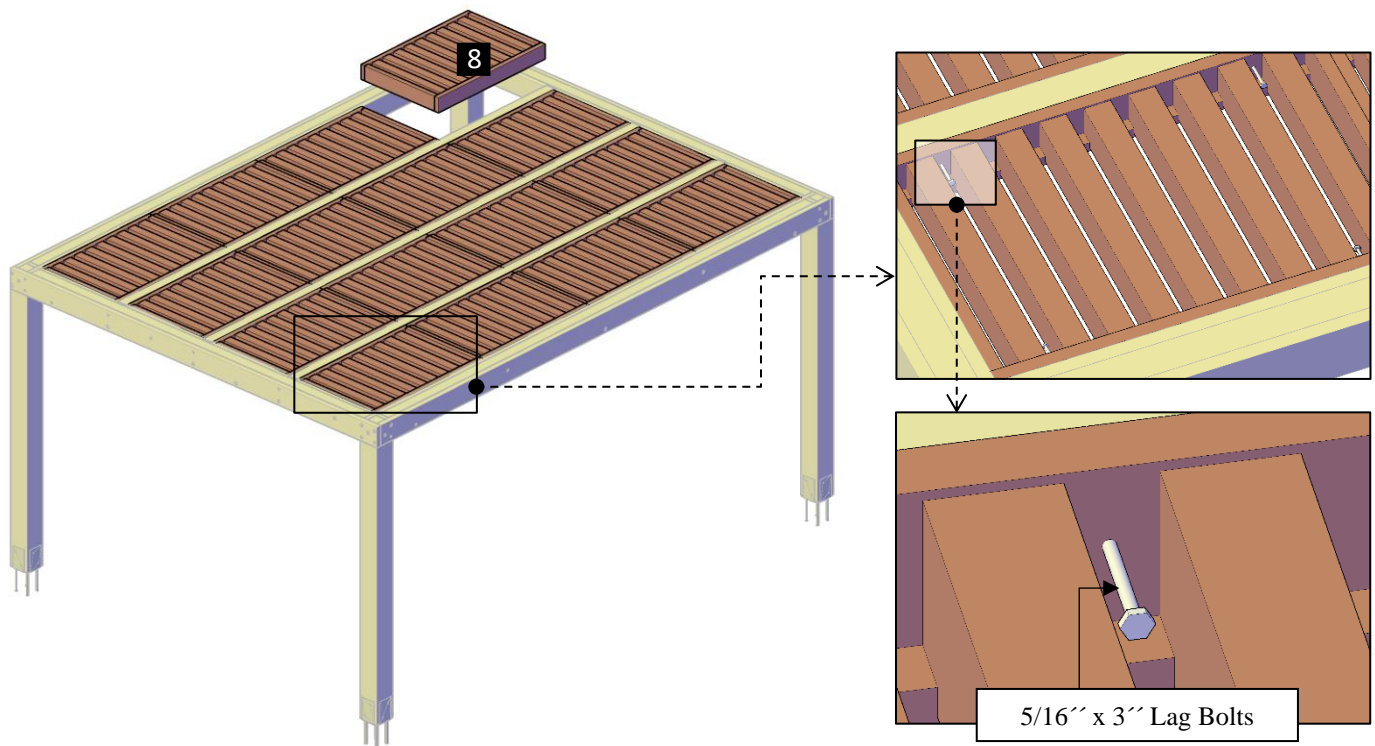
Step 7: Use 3" deck screws (F) to attach the in-between covers (6) to the supports with in-between blocking. Each part has a series of numbers that indicate where to attach the part with the corresponding number.



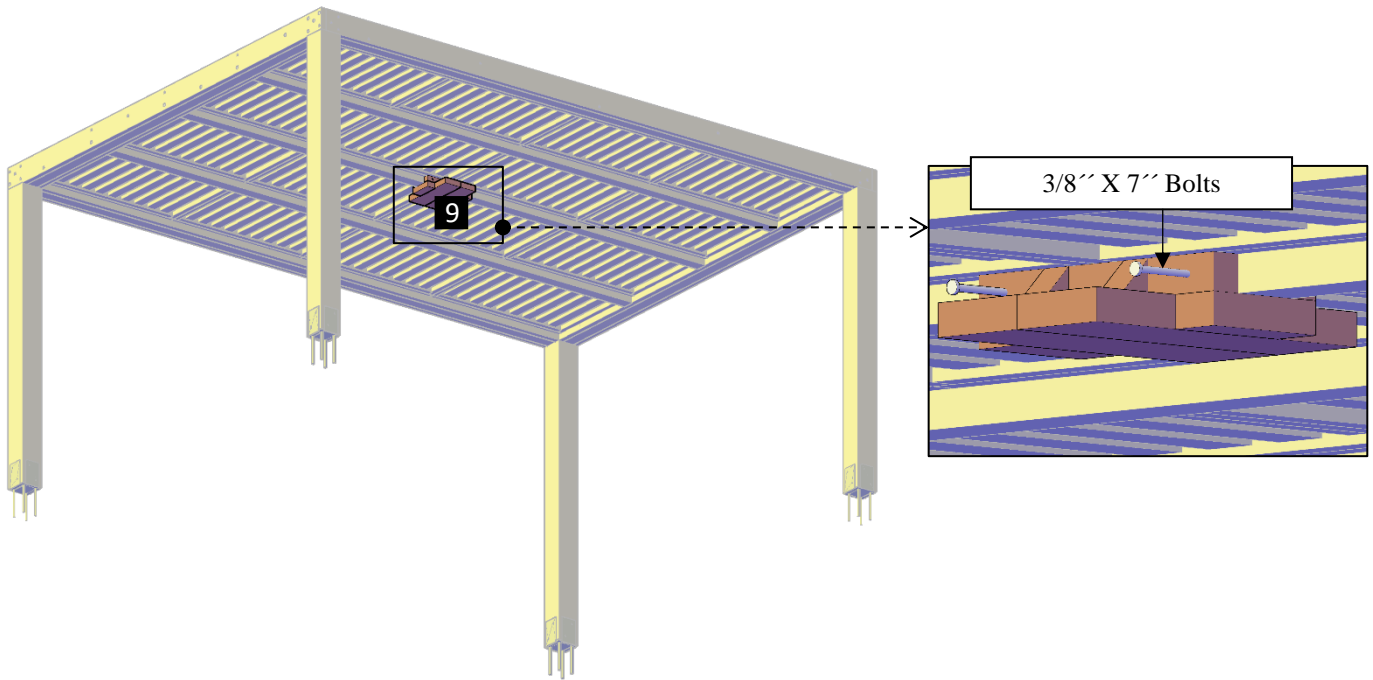
Step 8: Use 3/8" x 12" lag bolts (G) with washers to attach the central supports (7) to the short supports. Each part has a series of numbers that indicate where to attach the part with the corresponding number.



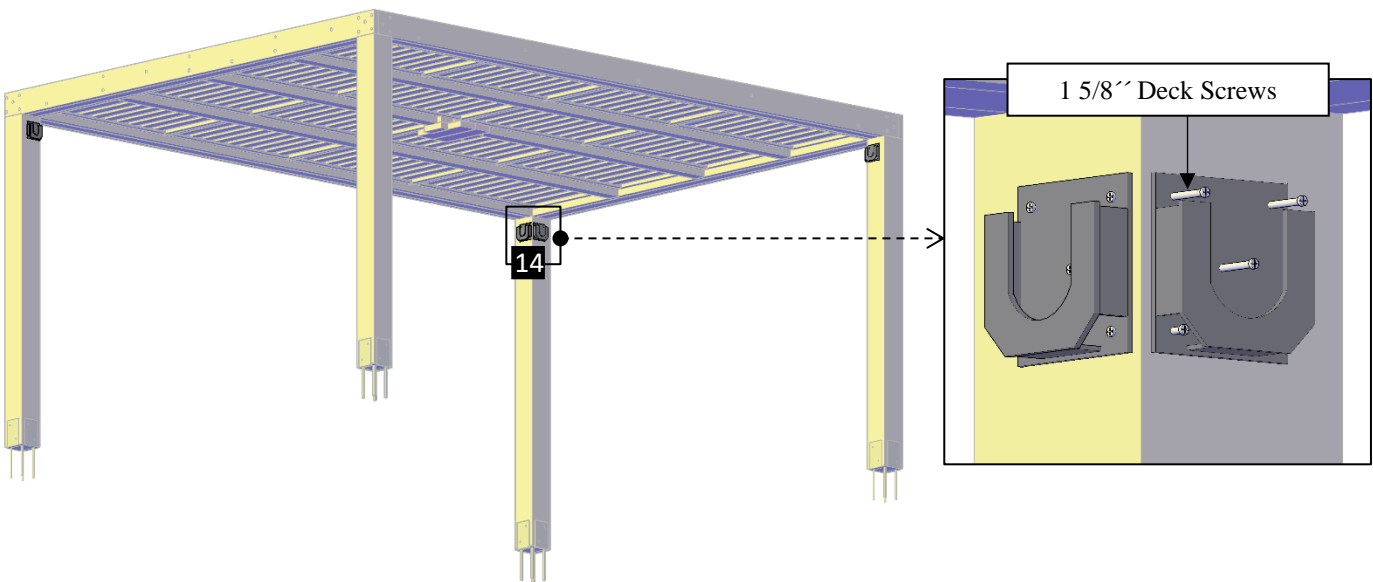
Step 9: Attach the roof panels (8) to the long supports and to the central supports with 5/16" x 3" lag bolts (H) with washers. Each part has a series of numbers that indicate where to attach the part with the corresponding number.



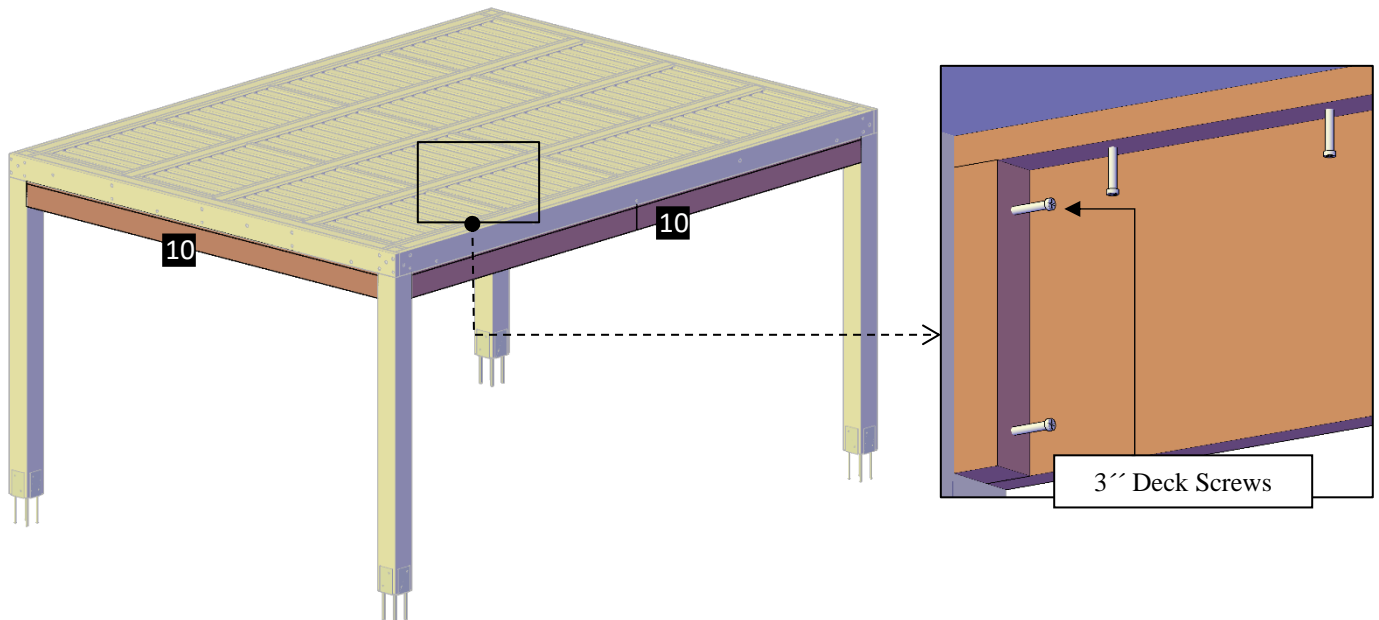
Step 10: Use 3/8" x 7" bolts (I) to attach the ceiling fan base (9) to the central support. Each part has a series of numbers that indicate where to attach the part with the corresponding number.



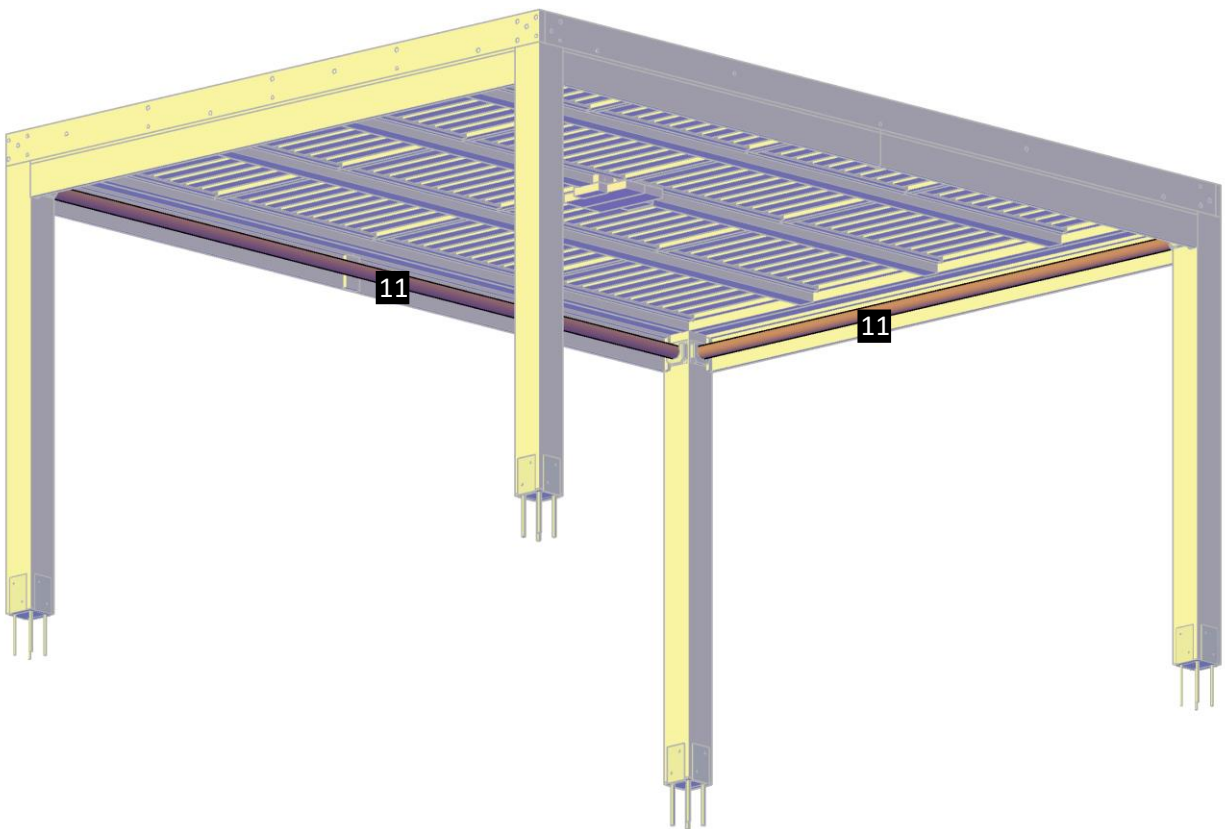
Step 11: Attach the curtain bases (14) to the posts with 1 5/8" deck screws (J). Each part has a series of numbers that indicate where to attach the part with the corresponding number.



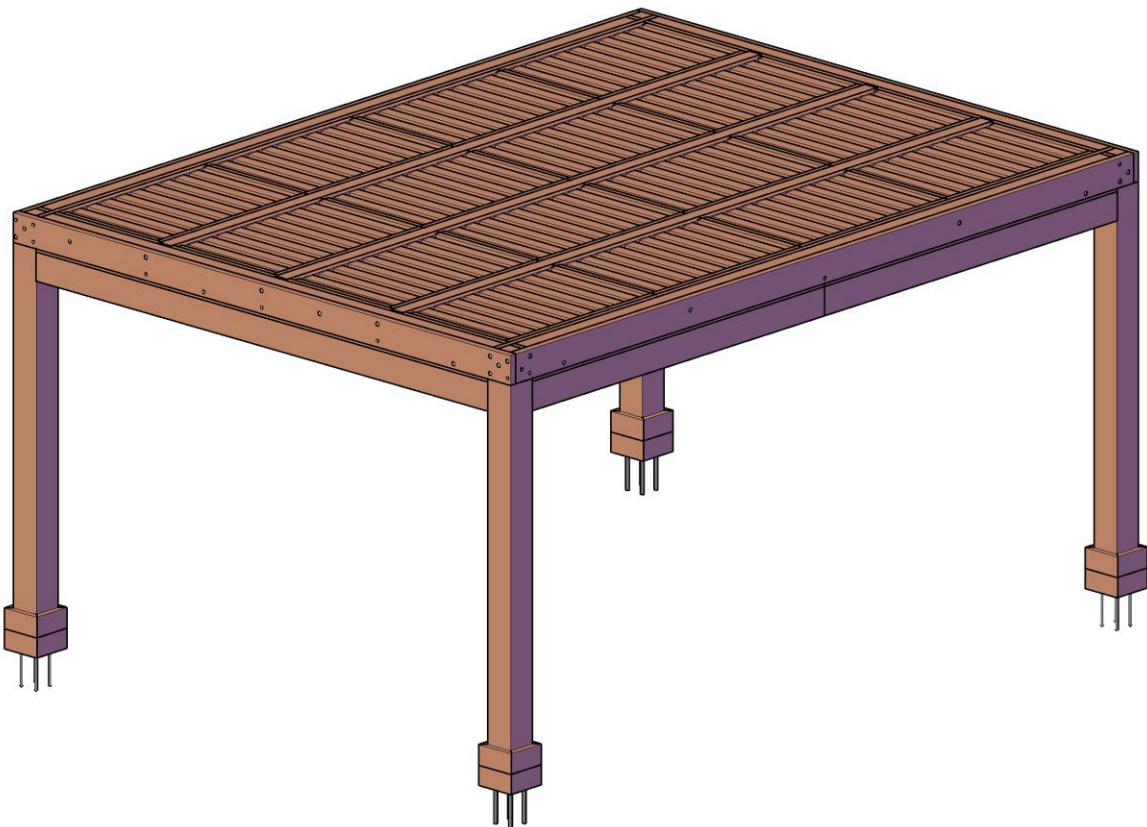
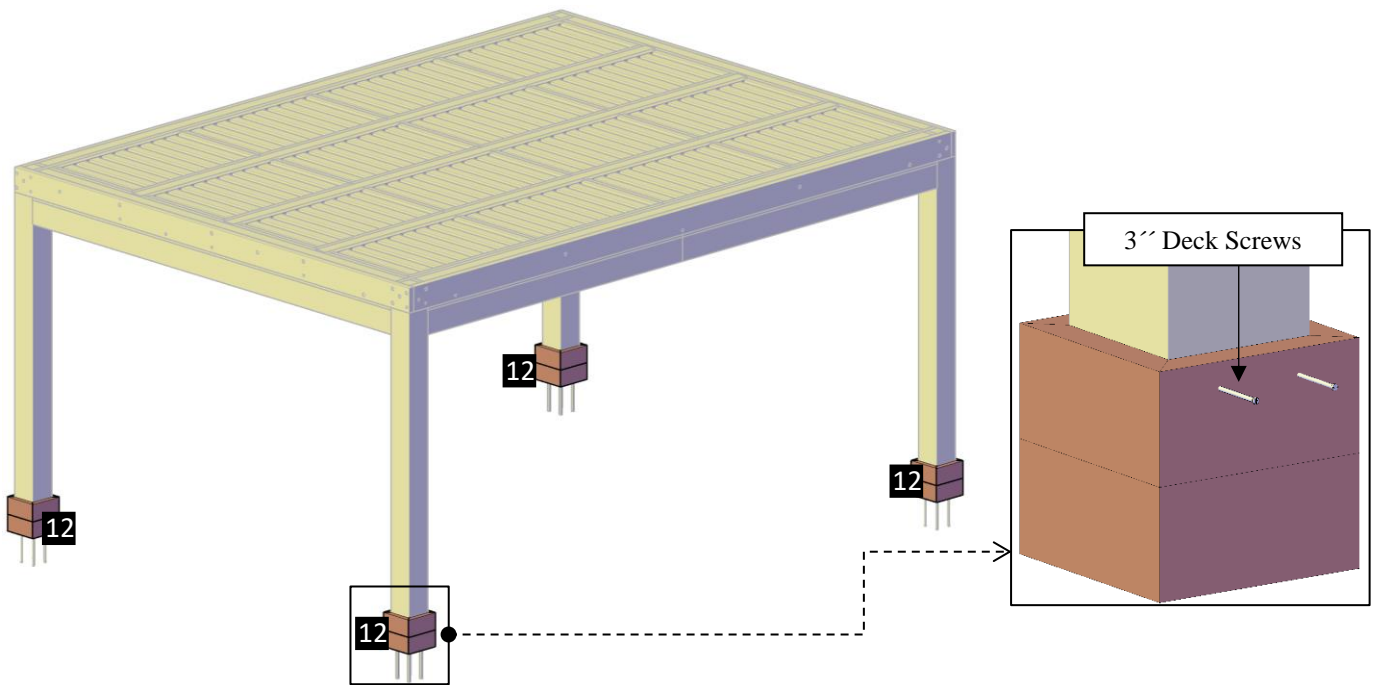
Step 12: Attach the curtain rod fascias (10) to the post and supports with 3'' deck screws (F). Each part has a series of numbers that indicate where to attach the part with the corresponding number.



Step 13: Place the curtain rods (11) on the curtain rod bases.



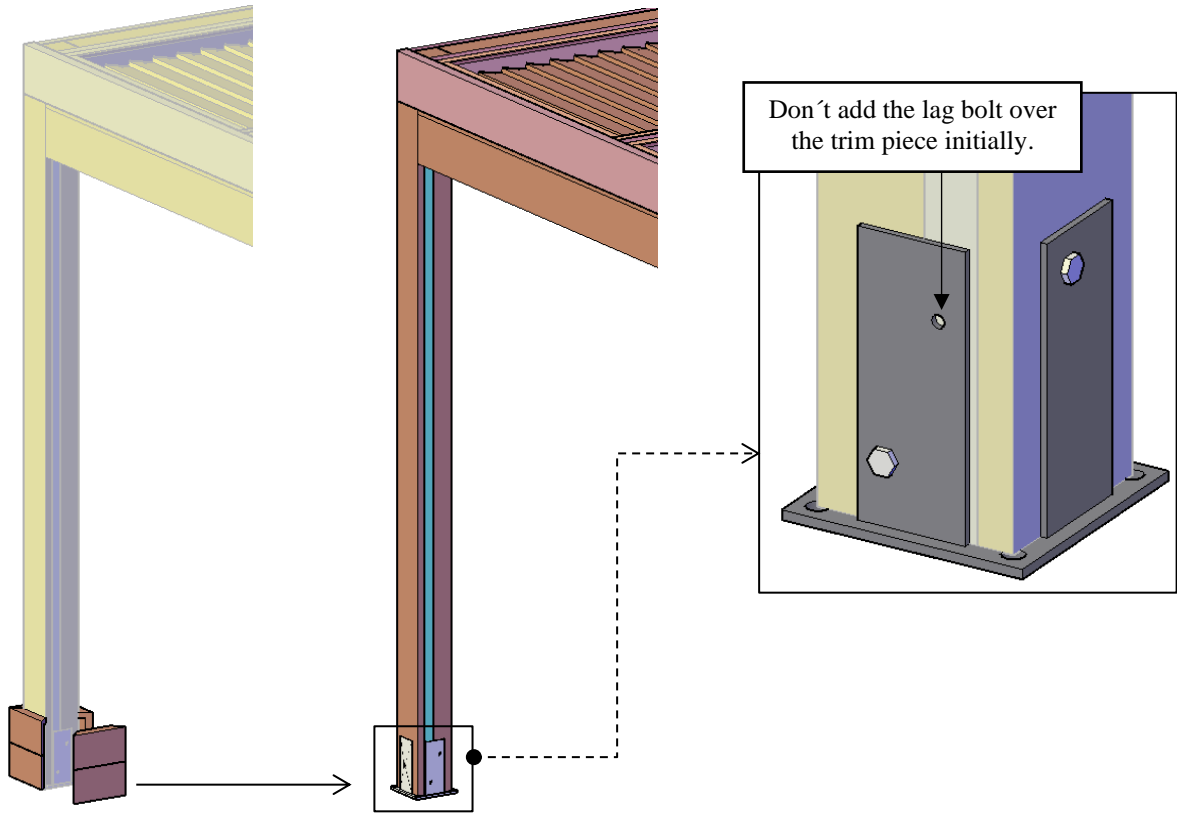
Step 14: Finally, use 3" deck screws (F) to attach the boots (12) to the post. Each part has a series of number's that indicate where to attach the part with the corresponding number.



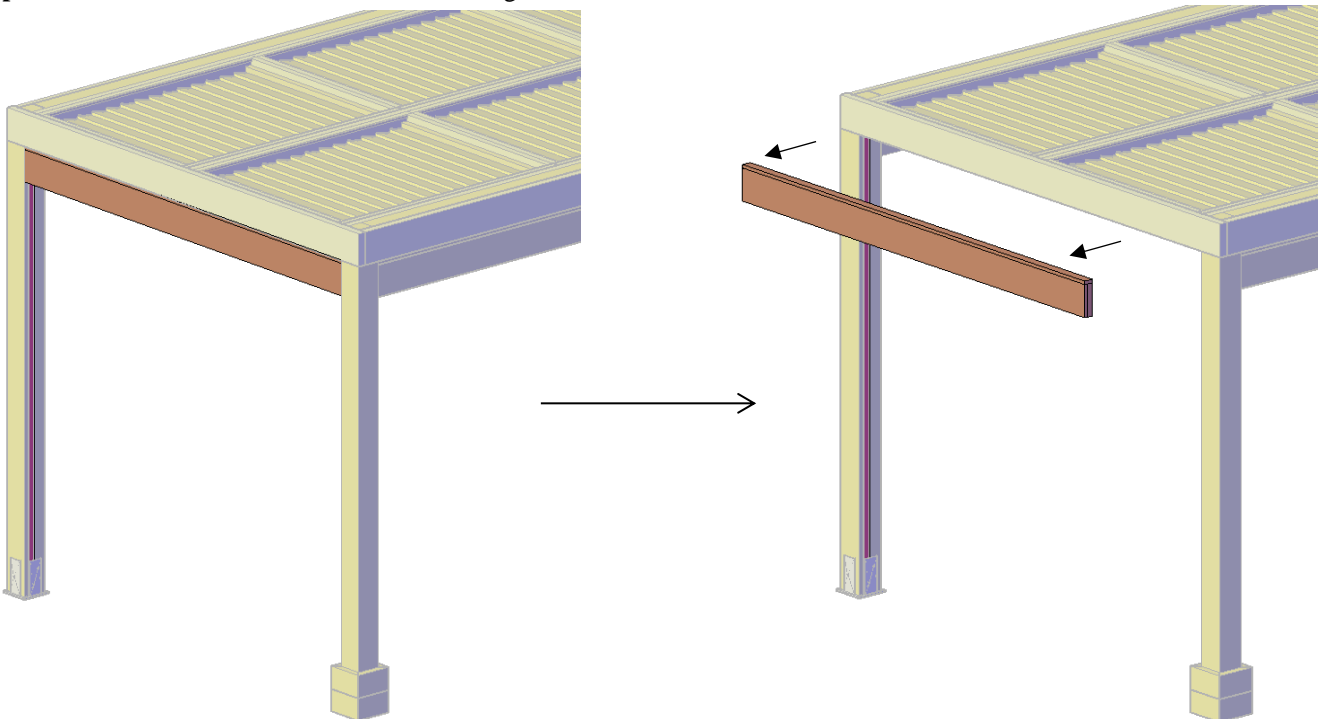
This completes the Pergola assembly. Hope you enjoy your set for many decades. If you ever have a problem or a question, don't hesitate to call us (866 332 2403) or email us. We are here to support you.

HOW TO REMOVE THE ELECTRICAL WIRING TRIM FROM THE POST:

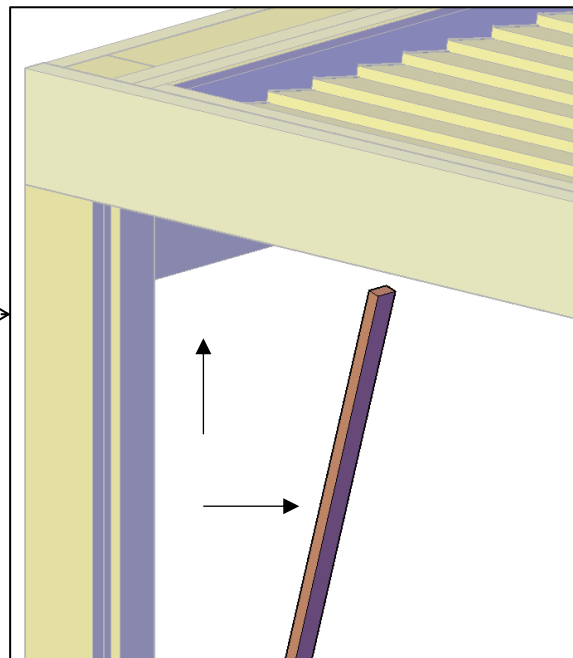
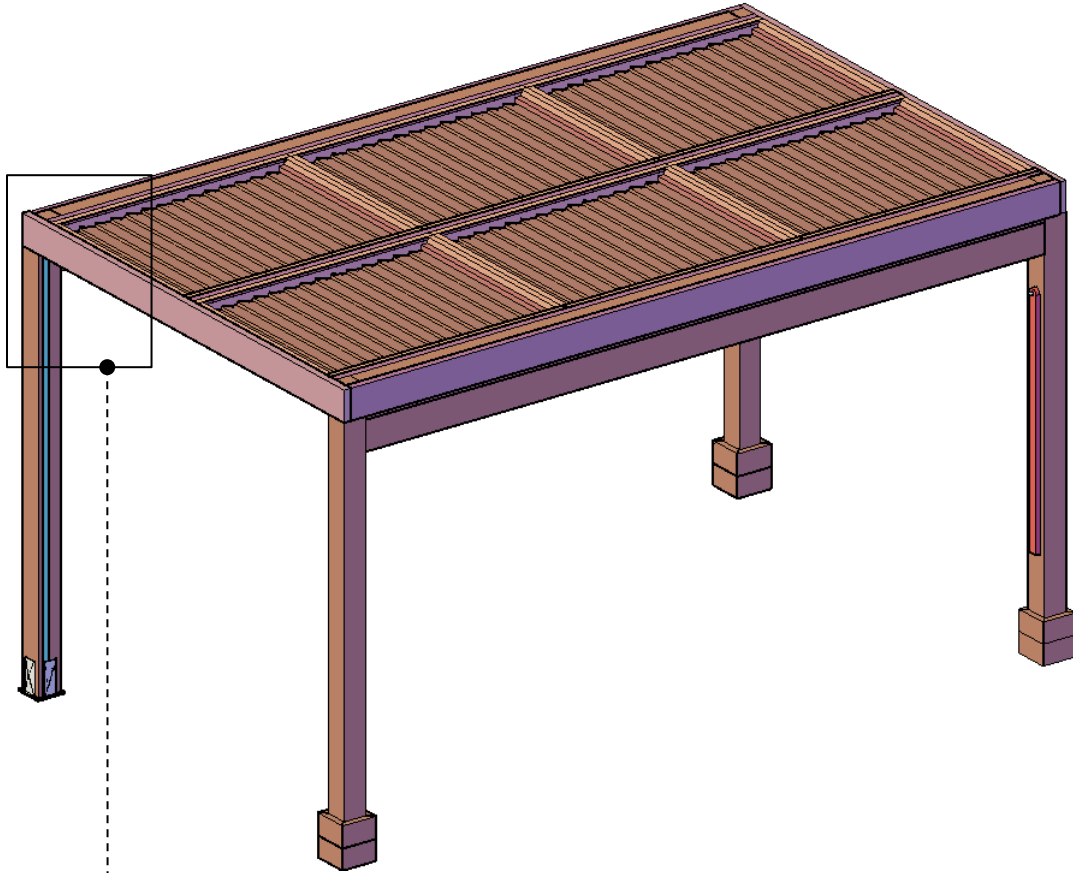
Step 1: First remove the deck screws to remove the boots of the post.



Step 2: Remove the Curtain Rod Fascia of the Pergola.



Step 3: Remove the trim.



Note: The dimensions of the trim are standard, adjust if necessary.