

866.332.2403; Outside the US: 619.600.5630 7am-7pm Pacific Time, Monday-Saturday

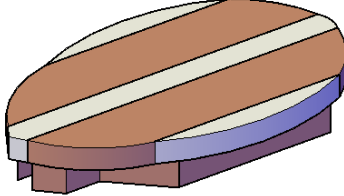
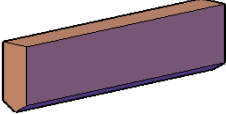
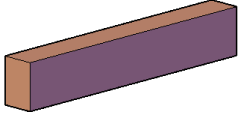
## Assembly Instructions for: **SURF SIDE TABLES**



Thank you for purchasing Forever Redwood patio furniture. Forever Redwood is built by Old-Growth Again Restoration Forestry (OGA). OGA is dedicated to restoration forestry. Sales of patio furniture finance our restoration work in California redwood forestlands.

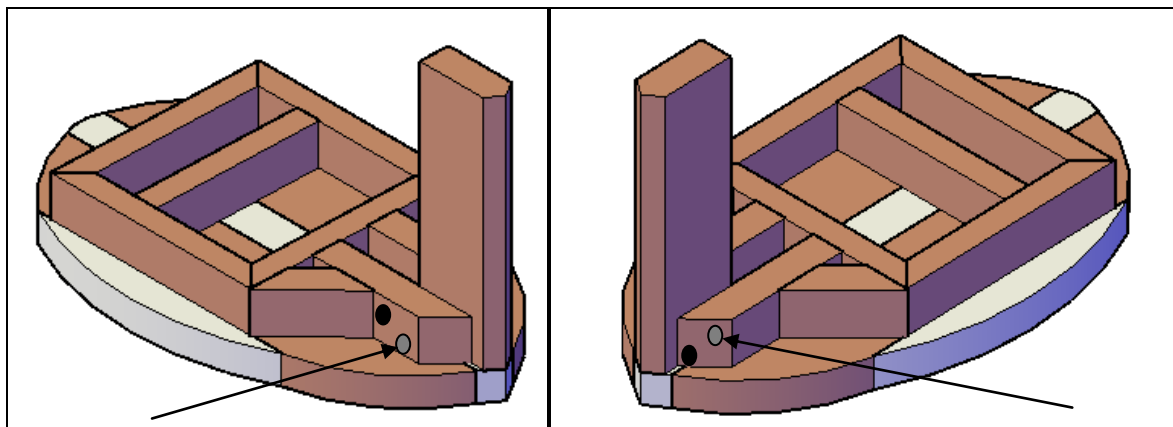
**Tools required:** ½-inch ratchet and a mallet or small hammer.

**Box Content:**

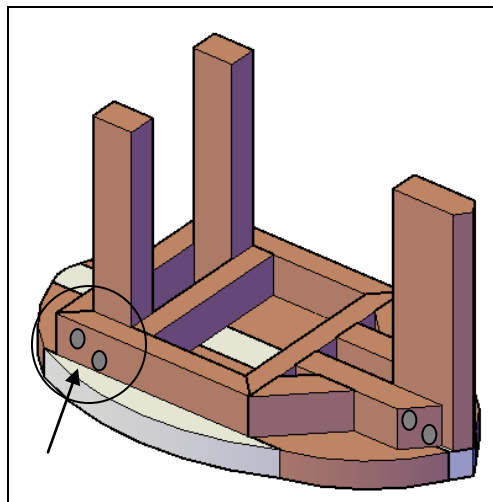
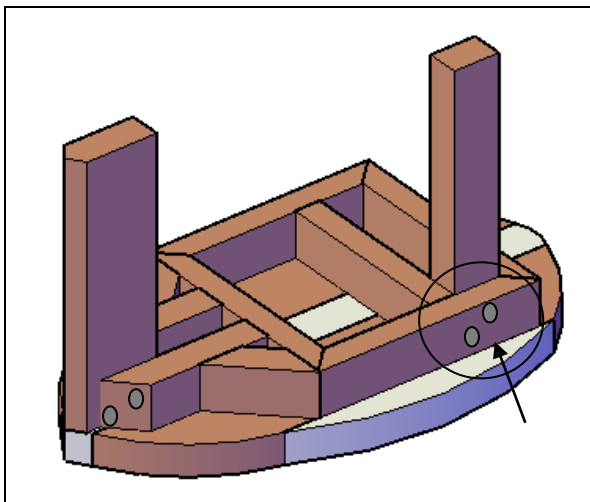
Quantity	Description	Drawings
1	Tabletop	
1	Front Leg	
2	Back Legs	
4	5" x 5/16" Carriage Bolts, Washers and Nuts	
2	4" x 5/16" Carriage Bolts, Washers and Nuts	

Your furniture was fully assembled in the shop prior to being dismantled for shipping. All the parts fit. The parts that go together have the same numbers written next to the predrilled holes they attach to. Please take the time to align the parts with the numbers. If you are forcing a bolt in, the part may be turned around or not aligned properly. Tap the bolt all the way into the wood to set it, then add a washer and lightly tighten. Don't over tighten or you will crush the redwood.

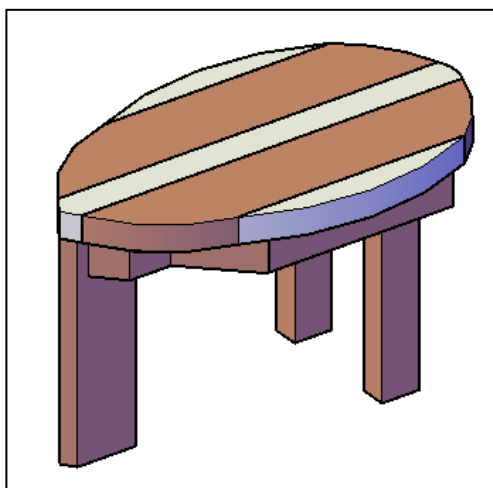
**Step 1:** Unpack your side table and make sure you have all the parts. Turn the tabletop upside down. Match the front leg number to the tabletop hole and attach with two carriage bolts (4" x 5/16") either side. Align the predrilled holes; lightly tap the 2 bolts in. The bolts should tap into their holes. Make sure the bolts are tapped all the way into the wood, then add washers and nuts and tighten with a ½-inch ratchet. Do not over tighten or you'll crush the redwood and weaken the table's structure.



**Step 2:** Attach back legs to tabletop with 2 carriage bolts (5" x 5/16"), washers and nuts per leg.



**Step 3:** Turn side table over – done.



Thank you! If you have any questions, please call or email us.