

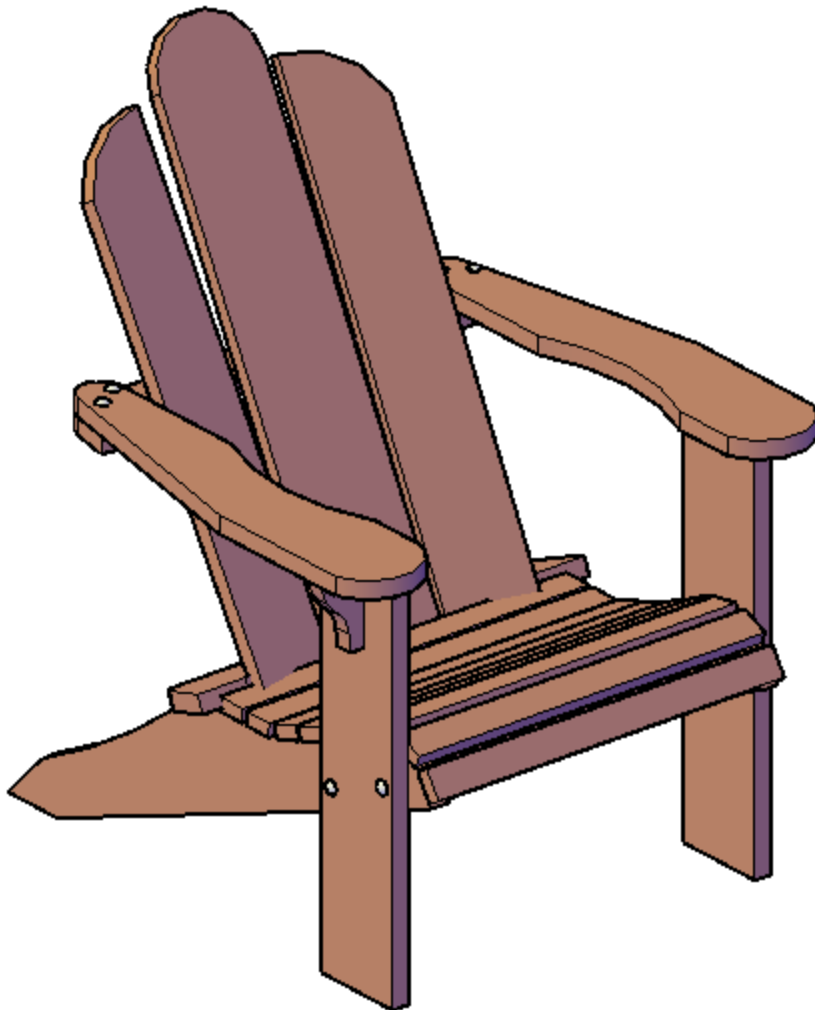


FOREVER I REDWOOD

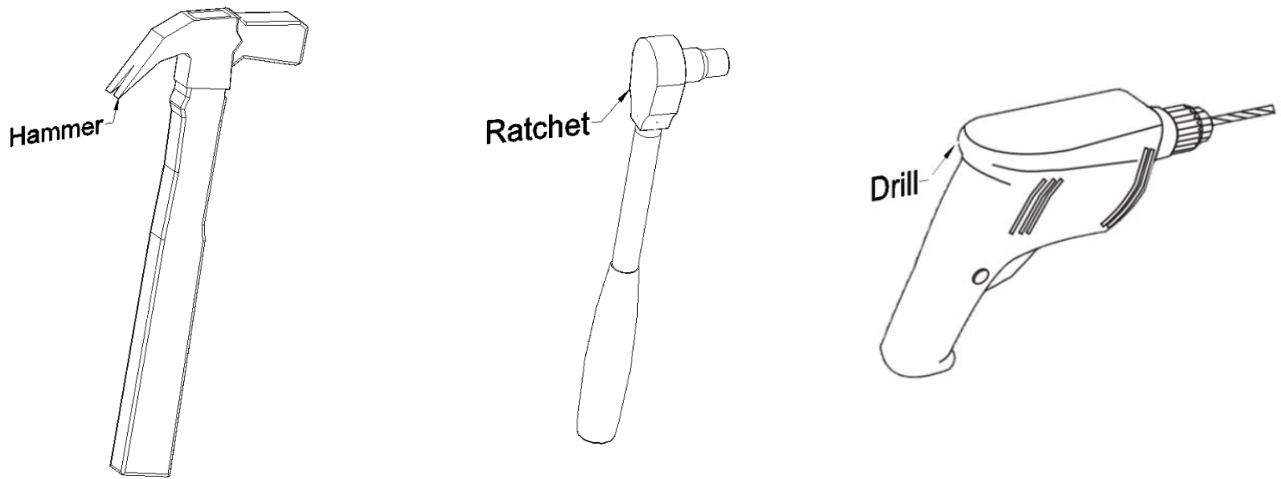
From the Forest, For the Forest since 1995

866.332.2403 (TOLL FREE) (707) 640.29.05 (Option 4) Direct Line for the Design Department; 7am – 7pm Pacific Time, Monday-Saturday

ASSEMBLY INSTRUCTIONS FOR THE **THE CLASSIC ADIRONDACK CHAIRS**

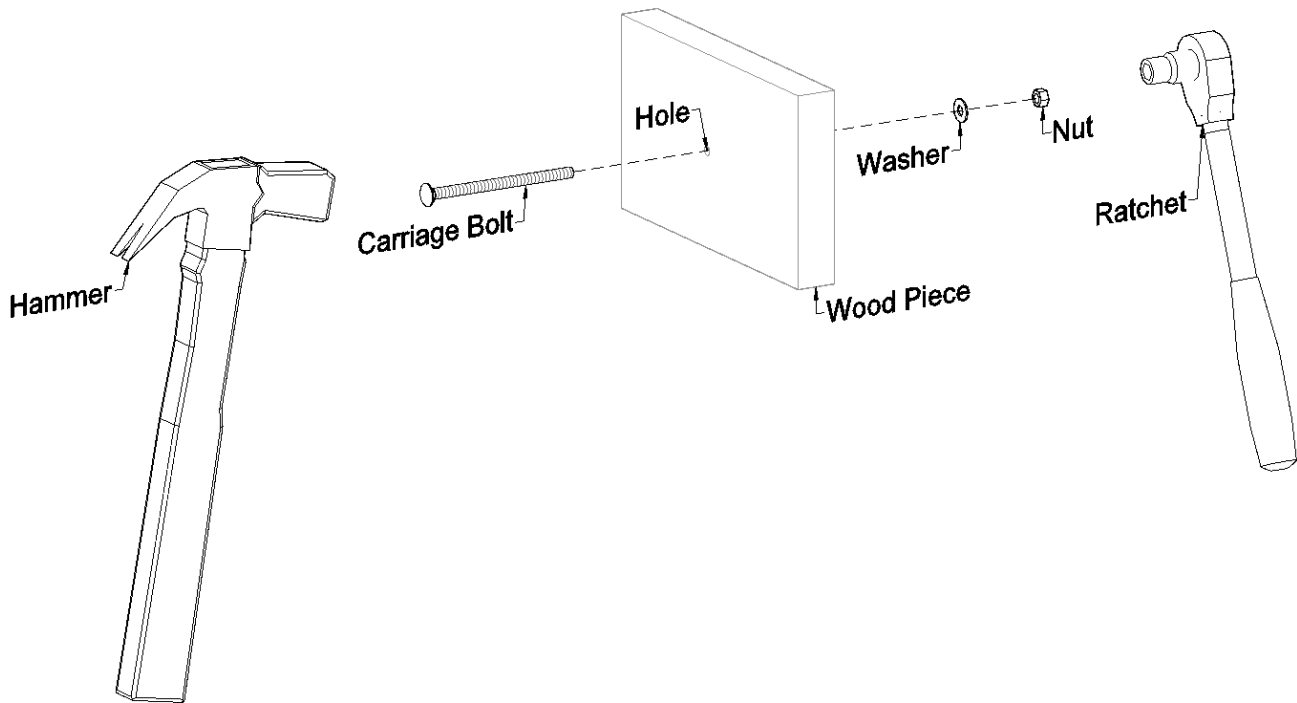


NOTE: Assembly is best done by two people. To assemble your product, you need a Hammer, a Ratch or a wrench and if required a Drill.



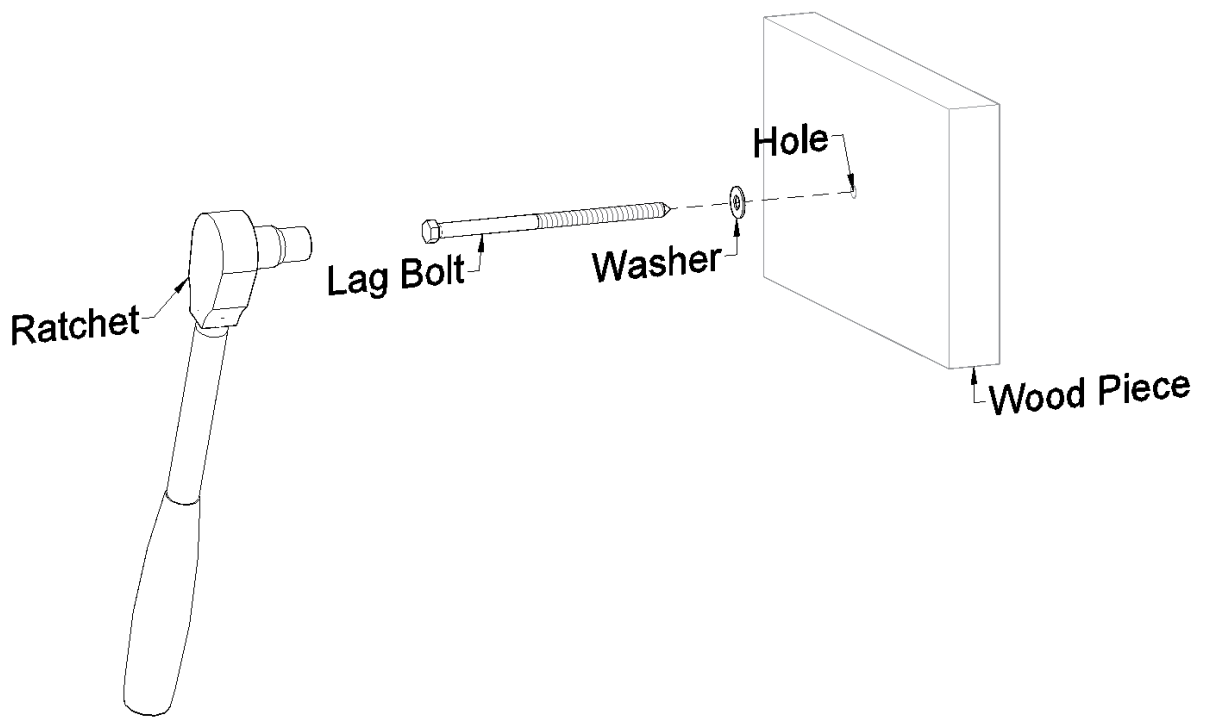
Required Tools (Are not included in your hardware packing).

PROCESS TO INSTALL THE HARDWARE PROVIDED.



To install the bolts.

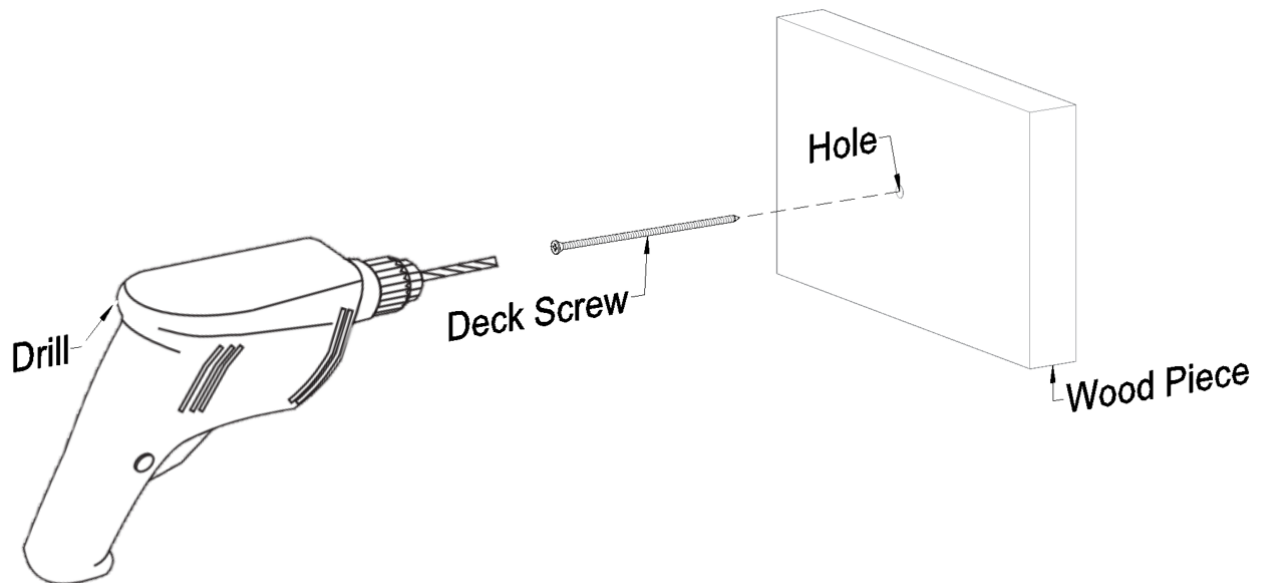
Insert the carriage bolts into the holes and lightly tap with a hammer until the square neck fit in the wood piece and the bolt head must flush with the wood piece. Finally, place the washer and the nut and carefully tighten it using a ratchet with the necessary socket or a wrench.



To install the lag bolts.

Place the washers in their lag bolts. After that, insert the lag bolts into the holes and carefully tighten it using a **ratchet** with the necessary **socket**.

Use the washers only for the Wood Pieces.

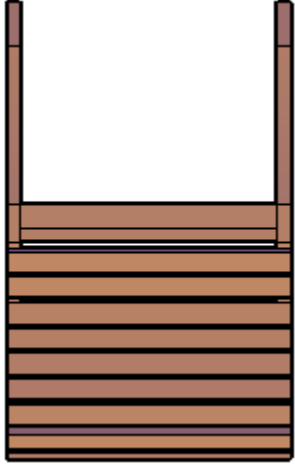
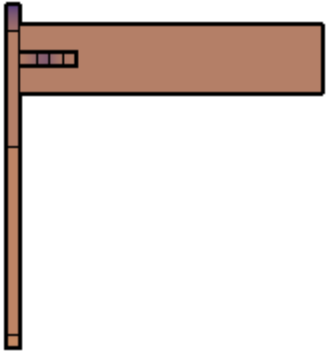
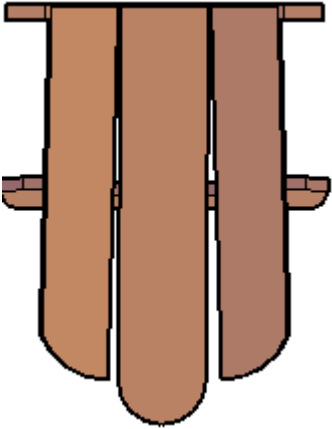


To install the deck screws.

Insert the deck screws into the holes and carefully tighten it using a drill.



CONTENT OF BOXES

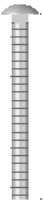
Qty.	Description	Drawing	No.
1	Seat		1
2	Legs with Arms		2
1	Backrest		3

Note: Part numbers in the Content of Boxes Table are for reference only. These do not match to the numbers marked on the parts sent.



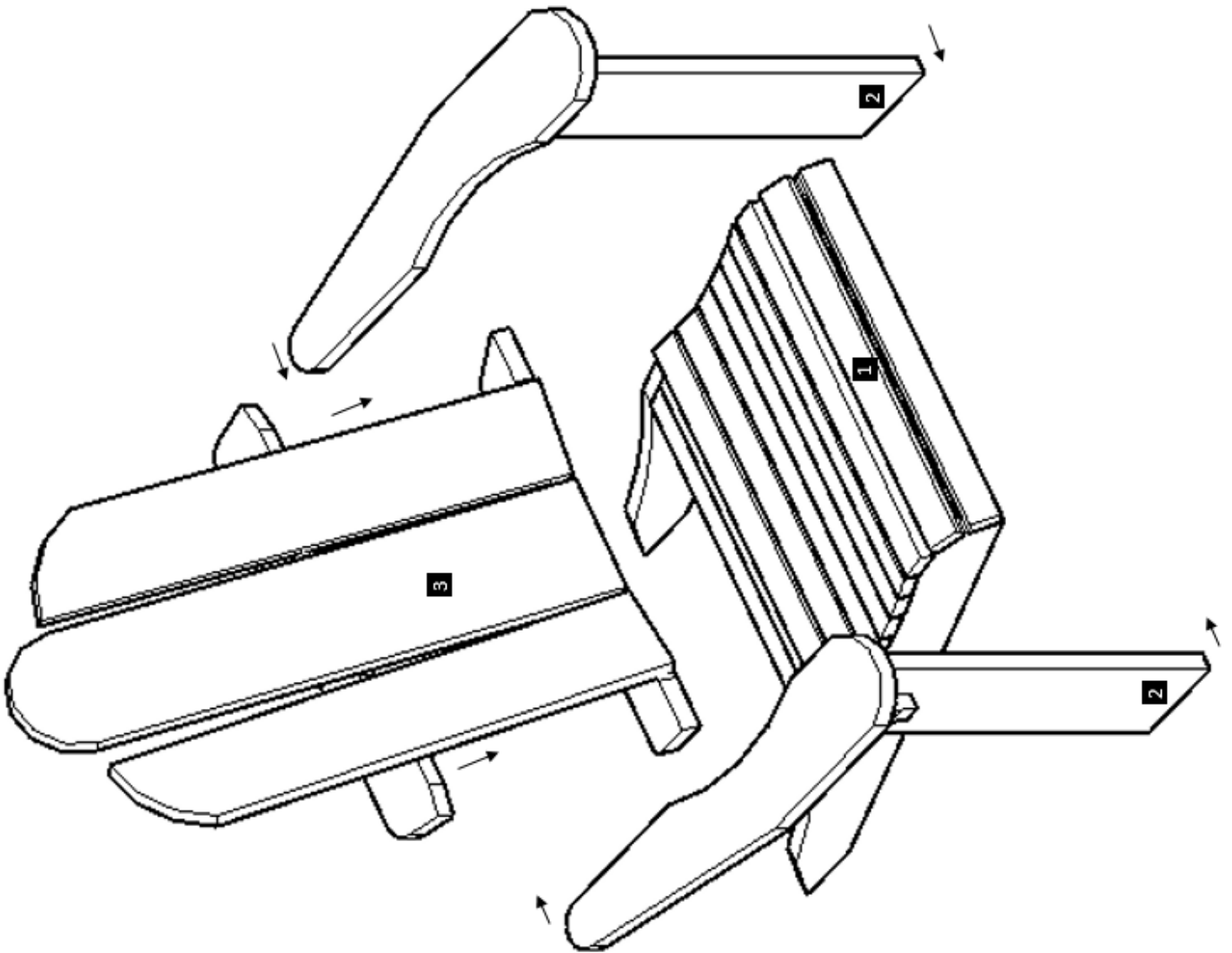


HARDWARE LIST

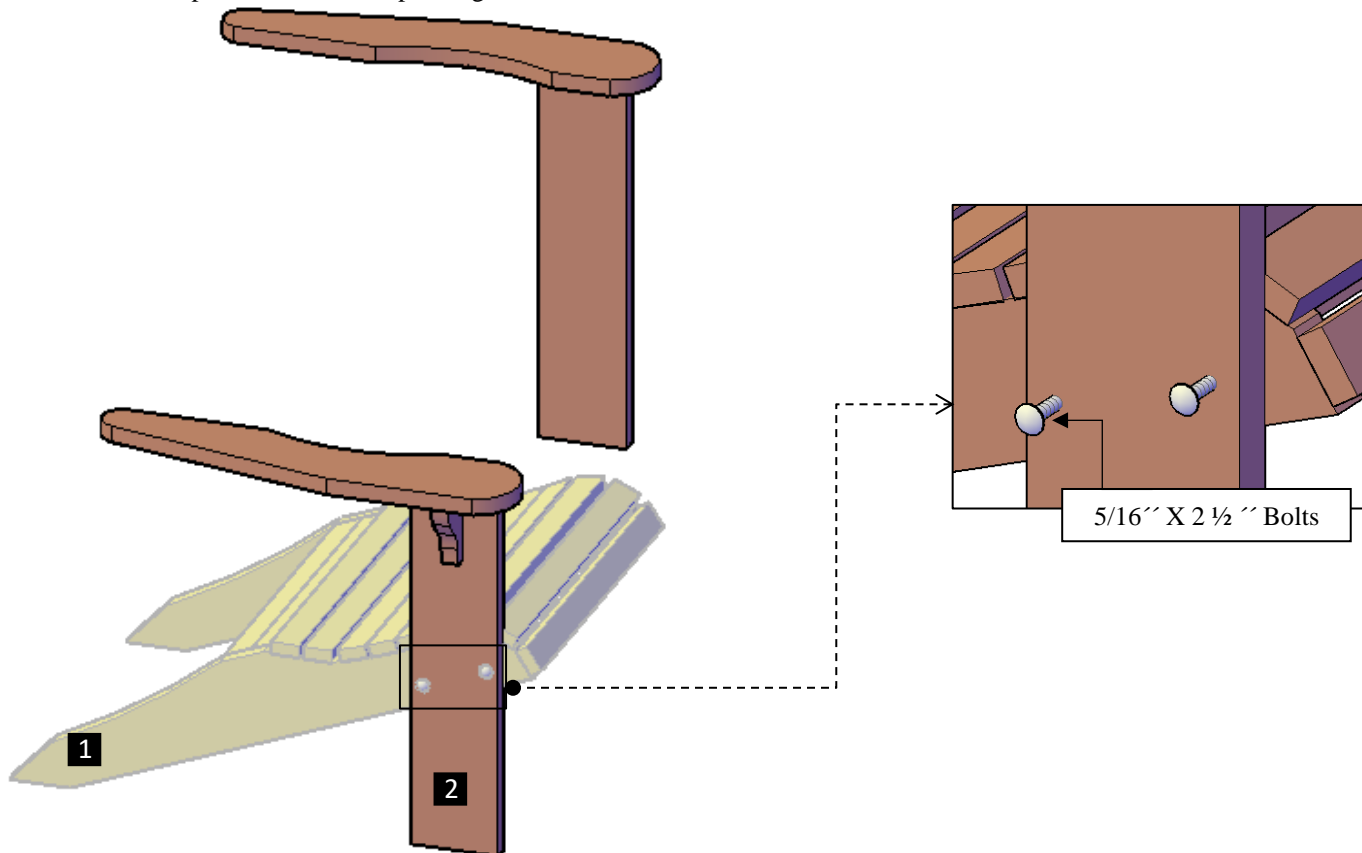
Qty.	Description	Drawing	No.
10	5/16" X 2 1/2" Bolts (To attach the seat to the legs with arms. / To attach the backrest to the seat. / To attach the backrest to the legs with arms).		A

Note: Dimensions of your hardware will vary depending on size.
Note: Part numbers in the Drawing are for reference only. These do not match to the numbers marked on the parts sent.

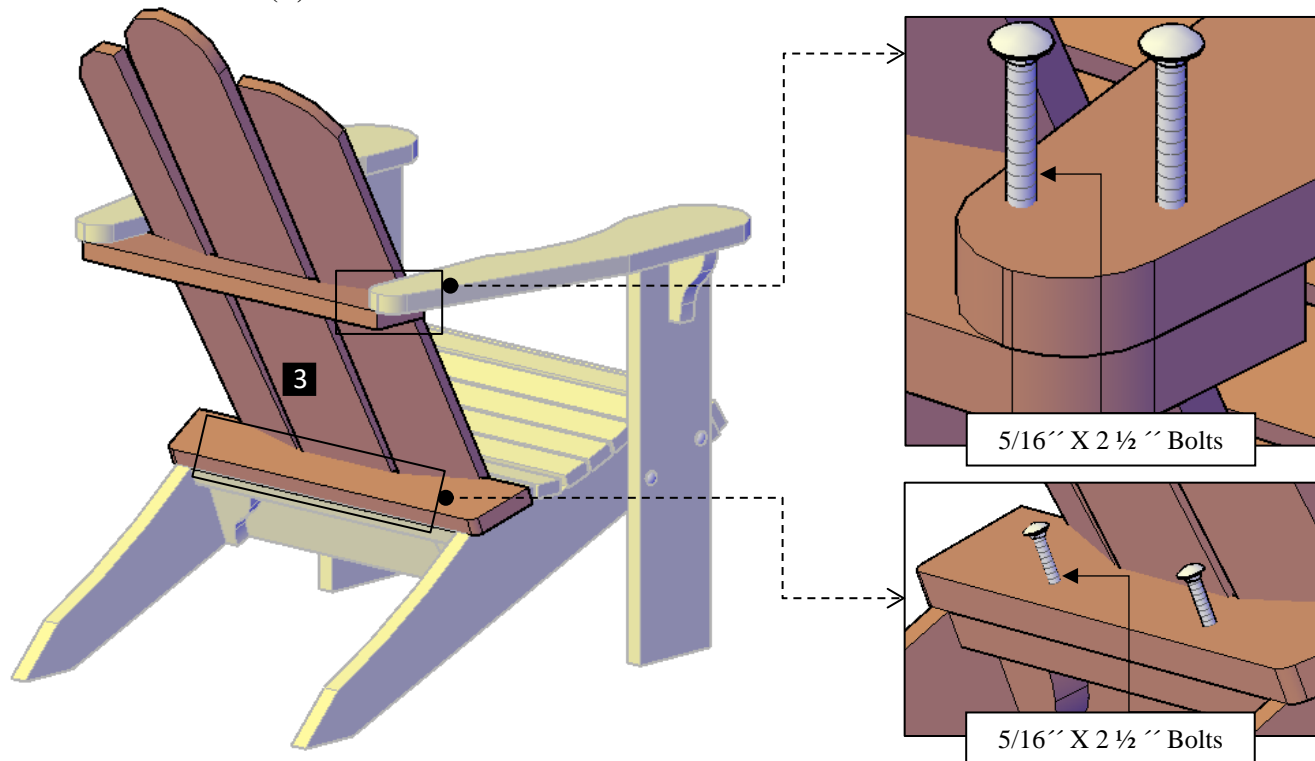
DESCRIPTION	No
Seat	1
Legs with Arms	2
Backrest	3

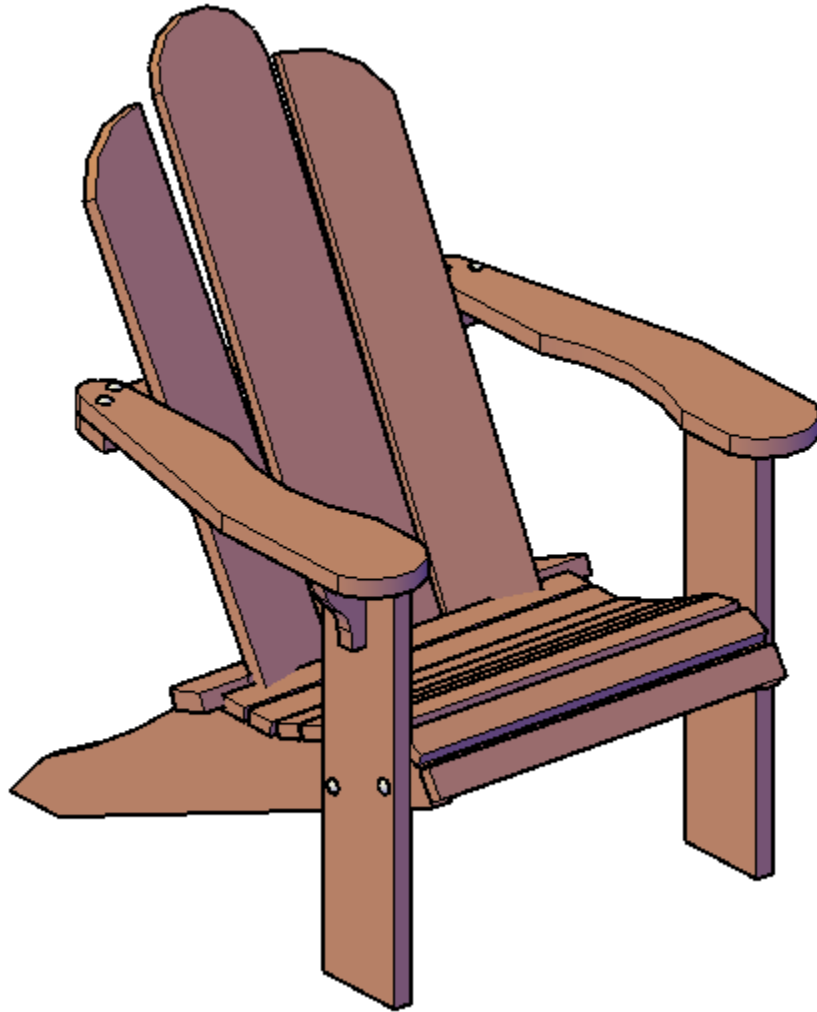


Step 1: Attach the seat (1) to the legs with arms (2) with 5/16" x 2 1/2" bolts (A). Each part has a series of numbers that indicate where to attach the part with the corresponding number.



Step 2: Attach the backrest (3) to the legs with arms (2) with 5/16" x 2 1/2" bolts (A). Finally, attach the backrest (3) to the seat with 5/16" x 2 1/2" bolts (A).





This completes the Chair assembly. Hope you enjoy your set for many decades. If you ever have a problem or a question, don't hesitate to call us (866 332 2403) or email us. We are here to support you.