



FOREVER REDWOOD

From the Forest, For the Forest since 1995

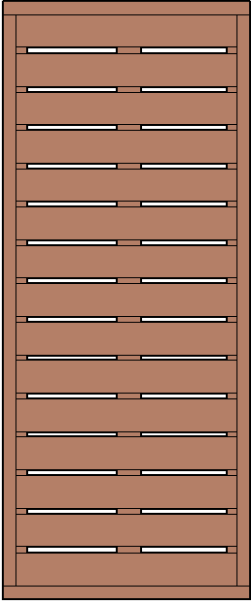
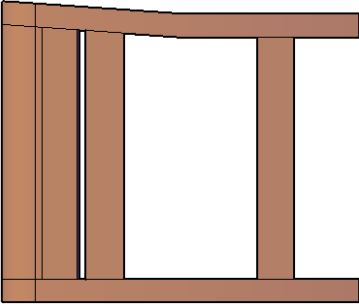
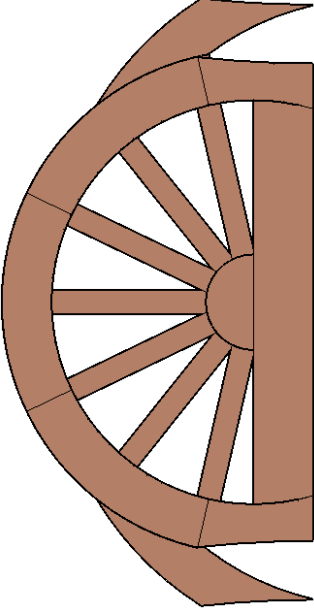
866.332.2403 (TOLL FREE); 7am – 7pm Pacific Time, Monday-Saturday

ASSEMBLY INSTRUCTIONS FOR THE **THE DAWN BENCH**





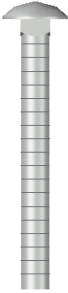
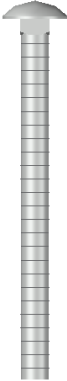


CONTENT OF BOXES

Qty.	Description	Drawing	No.
1	Bench Seat		1
2	Legs		2
1	Backrest		3

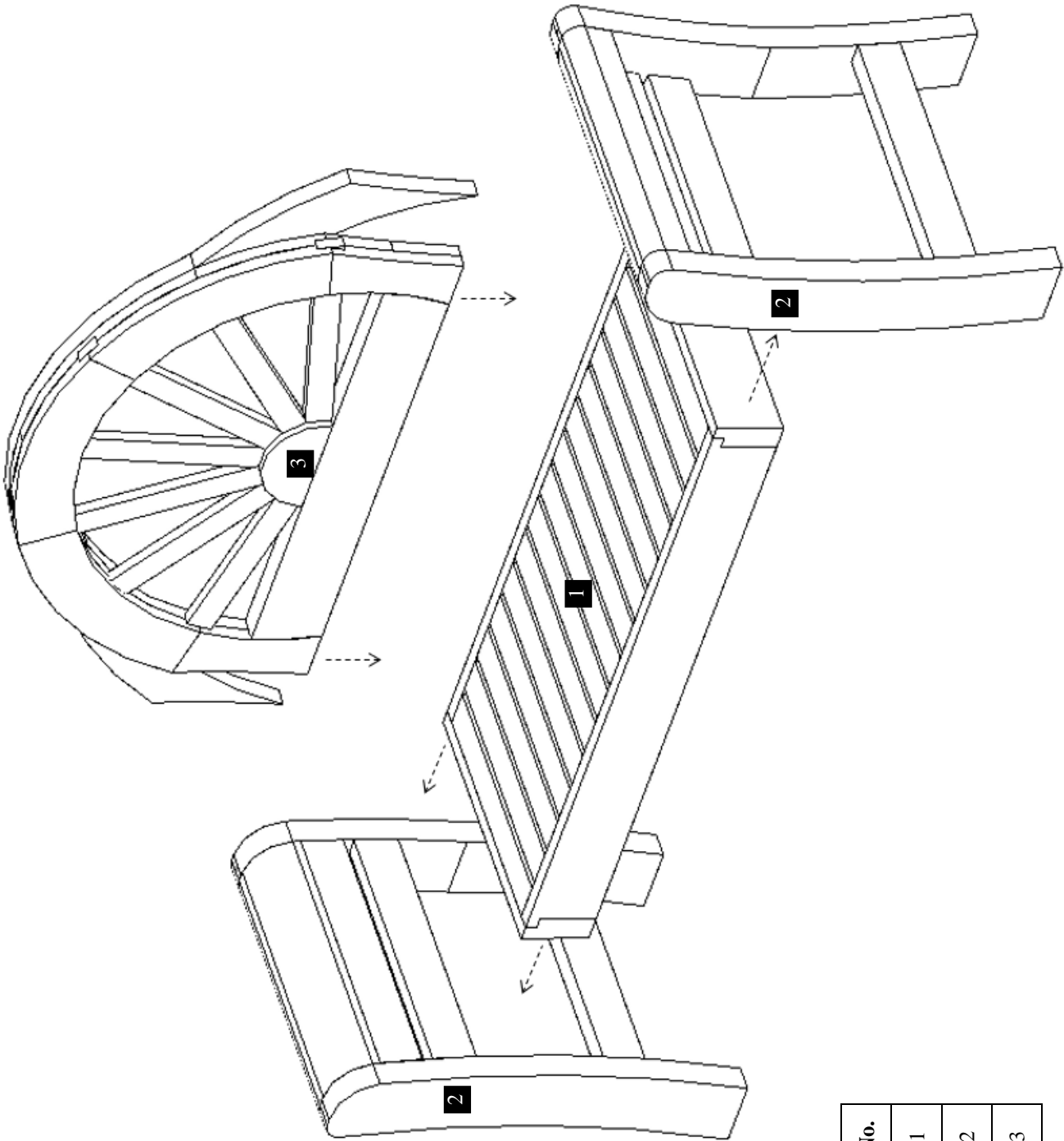
Note: Part numbers in the Content of Boxes Table are for reference only. These do not match to the numbers marked on the parts sent.



CONTENT OF BOXES

Description	Drawing	No.
5/16" x 4" Bolts (To attach the bench seat to the legs. / To attach the backrest to the bench seat).		a
5/16" x 3" Bolts (To attach the backrest to the seat).		b
Nuts		c
Washers		d

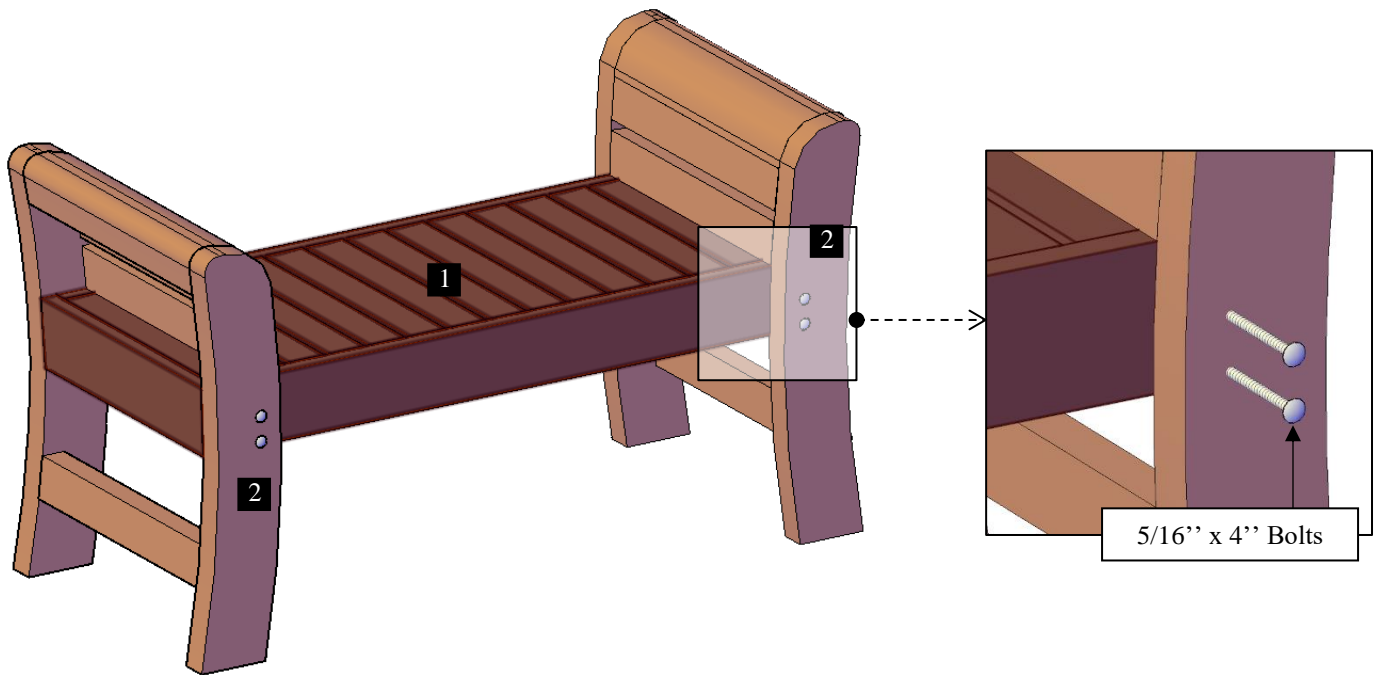
Note: Dimensions of your hardware will vary depending on size.



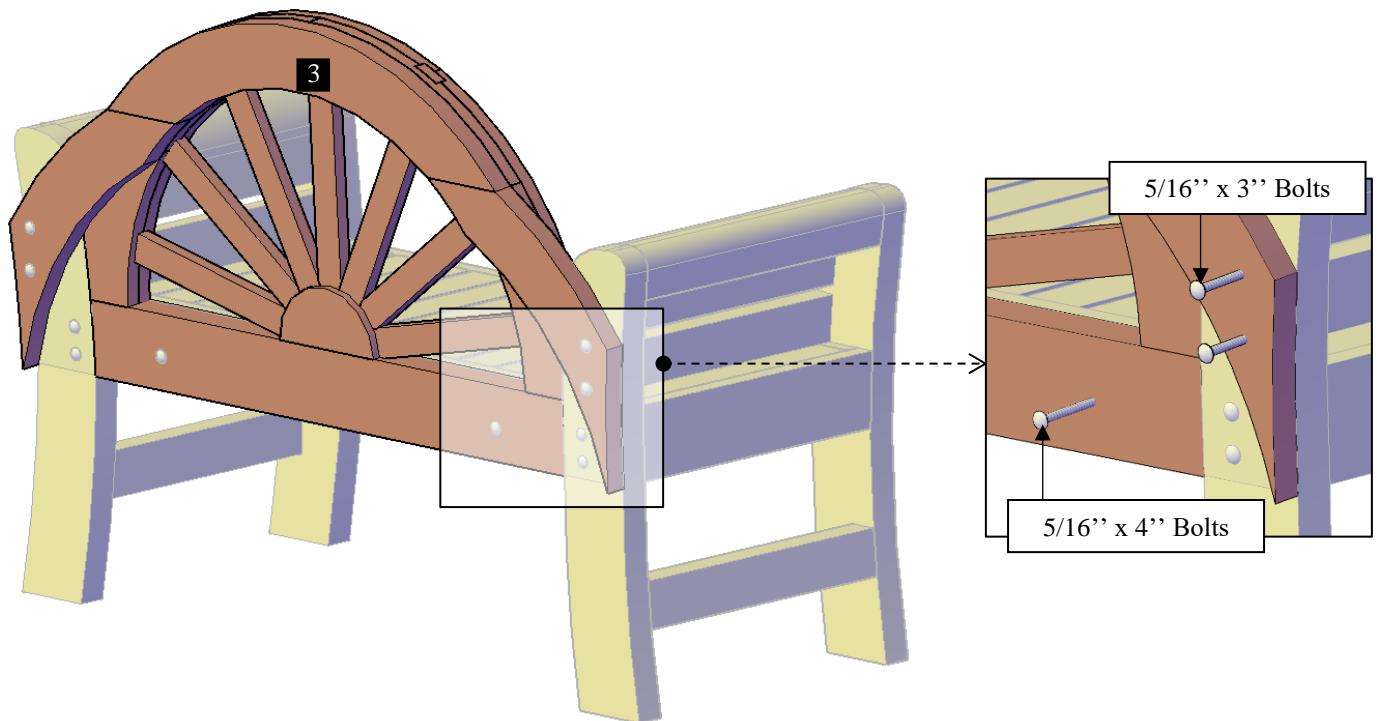
DESCRIPTION	No.
Bench Seat	1
Legs	2
Backrest	3

Note: Part numbers in the Drawing are for reference only. These do not match to the numbers marked on the parts sent.

Step 1: Use 5/16" x 4" bolts (a), with washers (d) and nuts (c) to attach the bench seat (1) to the legs (2). Each part has a series of numbers that indicate where to attach the part with the corresponding number.



Step 2: Finally, attach the backrest (3) to the legs with 5/16" x 3" bolts (b), washers and nuts and to the bench seat with 5/16" x 4" bolts (a), washers (d) and nuts (c). Each part has a series of numbers that indicate where to attach the part with the corresponding number.





This completes the Bench Assembly. Hope you enjoy your set for many decades. If you ever have a problem or a question, don't hesitate to call us (866 332 2403) or email us. We are here to support you.