



FOREVER REDWOOD

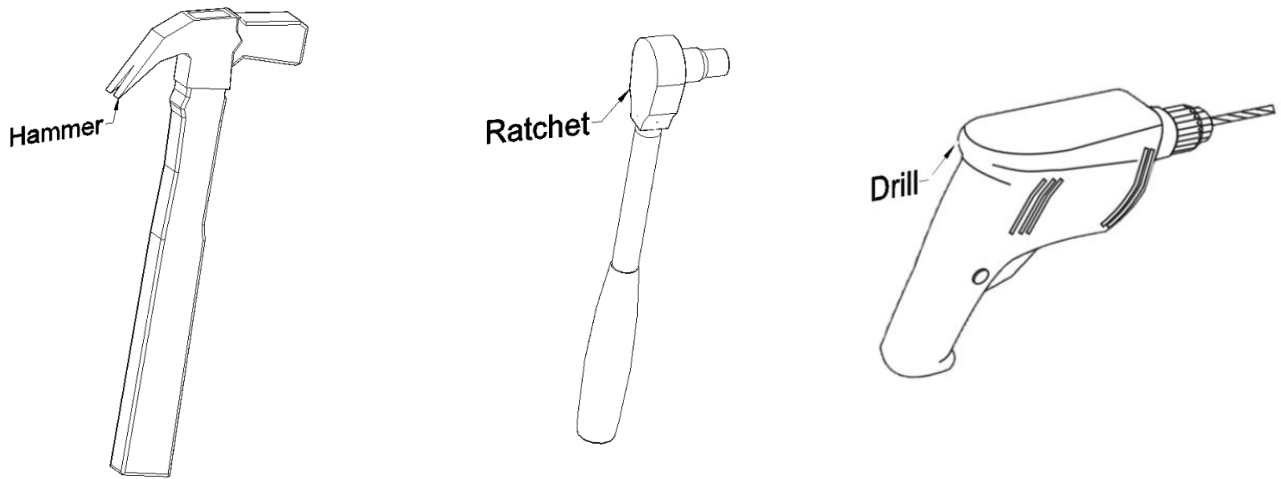
From the Forest, For the Forest since 1995

866.332.2403 (TOLL FREE) (707) 640.29.05 (Option 4) Direct Line for the Design Department; 7am – 7pm Pacific Time, Monday-Saturday

ASSEMBLY INSTRUCTIONS FOR THE DEL NORTE OUTDOOR KITCHEN PAVILION

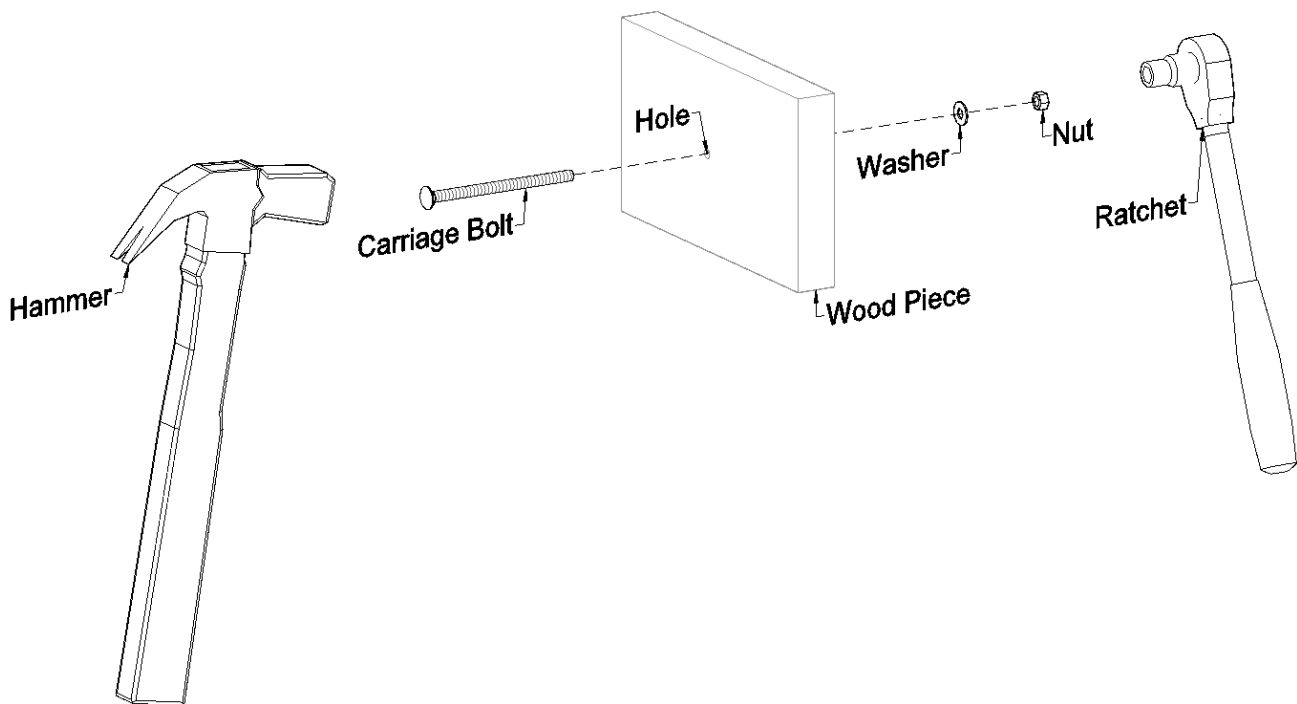


NOTE: Assembly is best done by two people. To assemble your product, you need a Hammer, a Ratch or a wrench and if required a Drill.



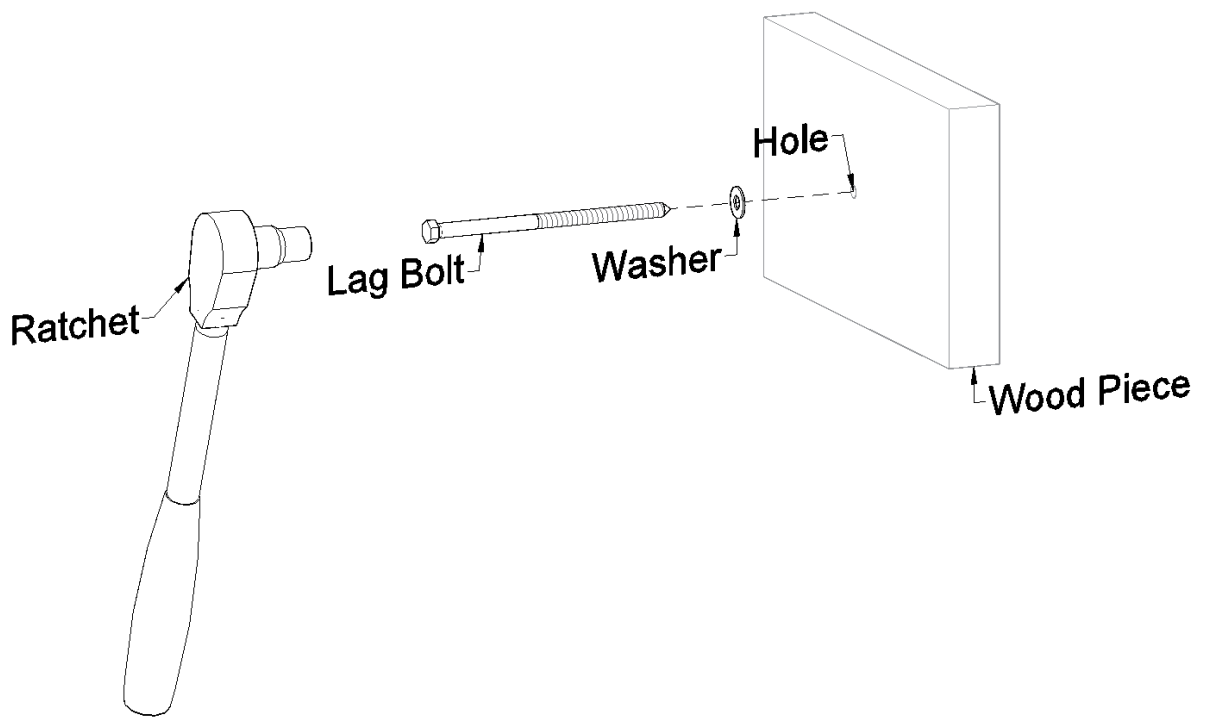
Required Tools (Are not included in your hardware packing).

PROCESS TO INSTALL THE HARDWARE PROVIDED.



To install the bolts.

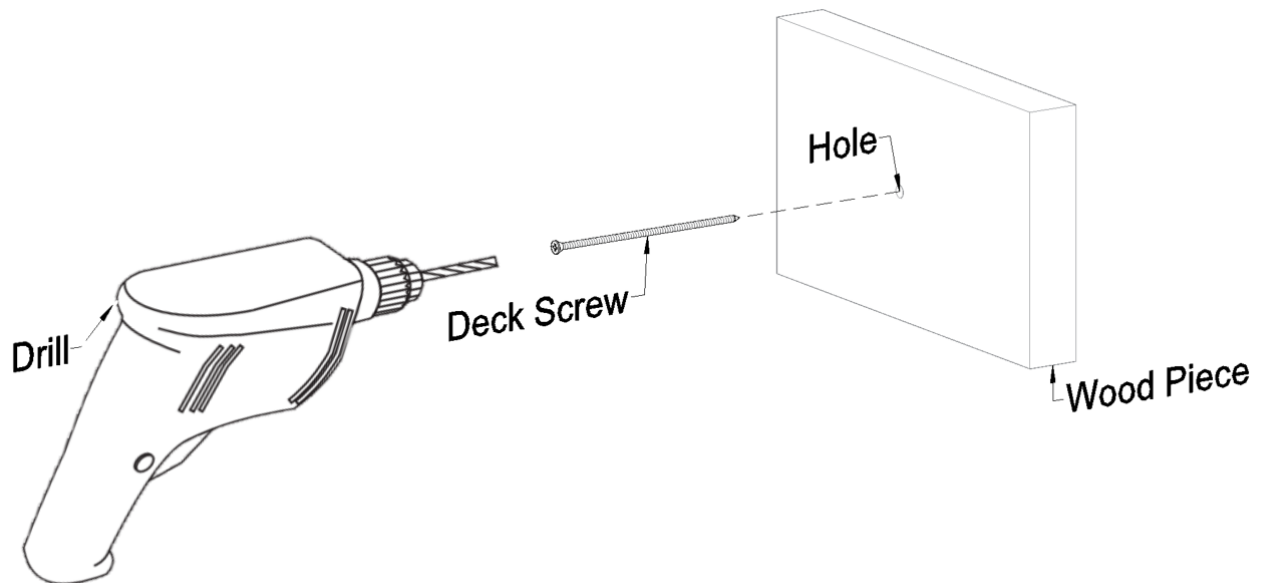
Insert the carriage bolts into the holes and lightly tap with a hammer until the square neck fit in the wood piece and the bolt head must flush with the wood piece. Finally, place the washer and the nut and carefully tighten it using a ratch with the necessary socket or a wrench.



To install the lag bolts.

Place the washers in their lag bolts. After that, insert the lag bolts into the holes and carefully tighten it using a **ratch** with the necessary **socket**.




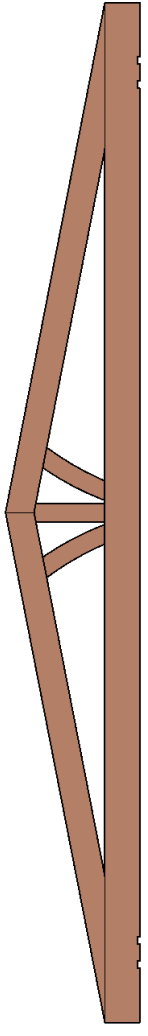
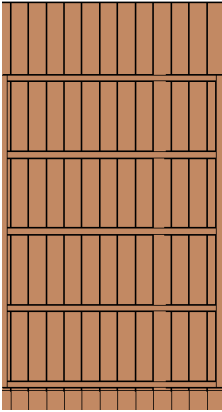

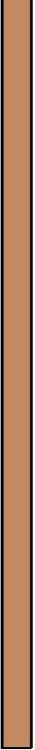
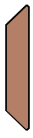

Use the washers only for the Wood Pieces.



To install the deck screws.

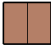
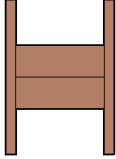


Insert the deck screws into the holes and carefully tighten it using a drill.

CONTENT OF BOXES

Qty.	Description	Drawing	No.
6	Posts		1
2	Single Supports		2
2	Supports with In-Between Blocking		3
3	Roof Trusses		4
8	Roof panel		5
4	Roof trims		6
2	Fascias		7
6	Main Knee Braces		8
4	Secondary Knee Braces		9



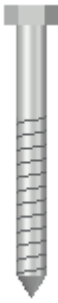


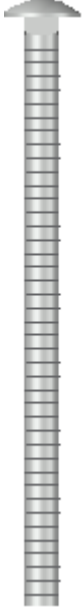
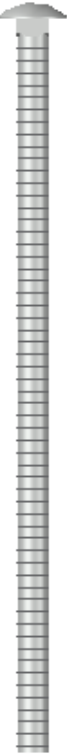
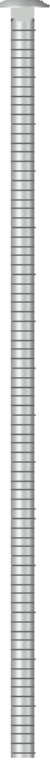
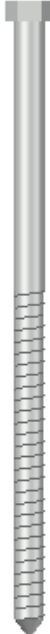
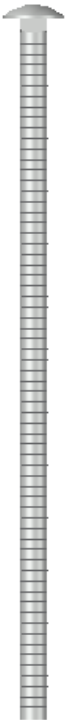
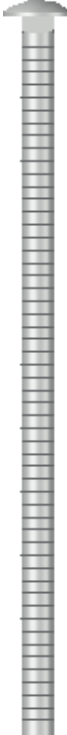

HARDWARE LIST

Qty.	Description	Drawing	No.
4	Boot		10
2	Ceiling fan base		11
2	Metal plaques		12
4	Anchor Base		13

Note: Part numbers in the Content of Boxes Table are for reference only. These do not match to the numbers marked on the parts sent.







HARDWARE LIST

Qty.	Description	Drawing	No.
24	5/16" x 3" Lag Bolts (To attach the anchor bases to the posts/to attach the metal plaque to the supports).		A
6	1/2" x 6" lag bolts (To attach the post to the wall).		B
8	1/2" x 3" lag bolts (To attach the metal plaque to the post).		C
42	3/8" x 6 1/2" bolts (To attach the single supports to the posts/to attach the single supports to the supports with in-between blocking/to attach the main knee braces to the supports/to attach the perimeter Roof Trusses to the posts).		D
6	3/8" x 9" bolts (To attach the main knee braces to the post/to attach the secondary knee braces to the Roof Trusses).		E
2	3/8" x 12" bolts (To attach the main knee braces to the supports).		F
6	3/8" x 8" lag bolts (To attach the back roof trusses to the wall).		G
8	3/8 x 10" bolts (To attach the roof panels to the Central Roof Trusses).		H
16	3/8 x 8 1/2" bolts (To attach the roof panels to the perimeter Roof Trusses).		I
320	2" deck screws (To attach the front roof trims to the roof boards).		J

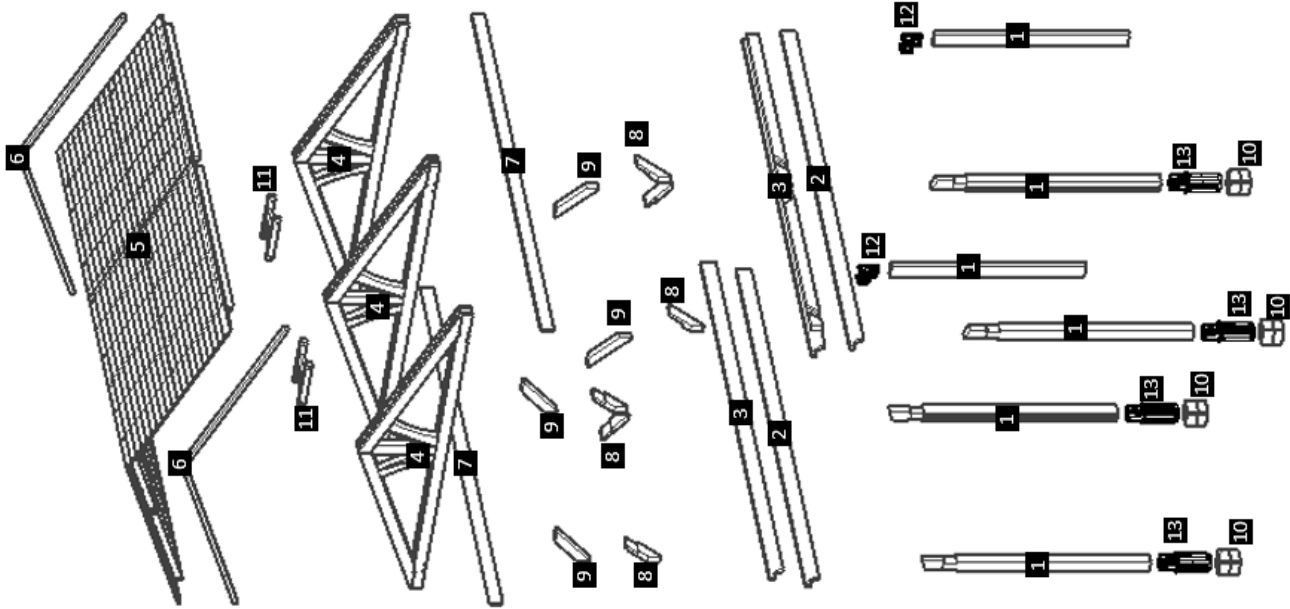


HARDWARE LIST

Qty.	Description	Drawing	No.
100	2 1/2" deck screws (To attach the back roof trims to the roof boards).		K
20	1 5/8" deck screws (To attach the fascias to the roof trusses).		L
8	5/16" x 3 1/2" bolts (To attach the ceiling fan base to the rafter).		M
100	3" deck screws (To attach the boots to each post).		N

Note: Dimensions of your hardware will vary depending on size.





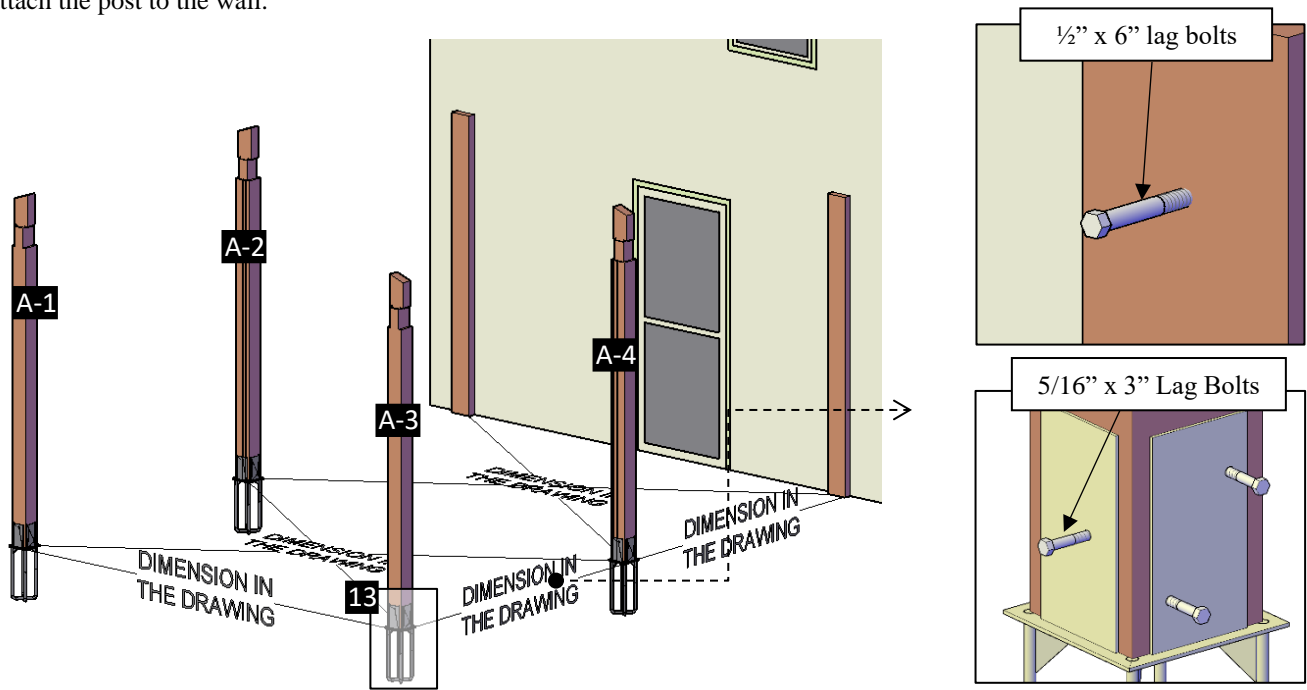
DESCRIPTION	No
Posts	1
Single Supports	2
Supports with In-Between Blocking	3
Roof Trusses	4
Roof panels	5
Roof trims	6
Fascias	7
Main Knee Braces	8
Secondary Knee Braces	9
Boots	10
Ceiling fan base	11
Metal plaques	12
Anchor Bases	13

Note: Part numbers in the Drawing are for reference only. These do not match to the numbers marked on the parts sent.

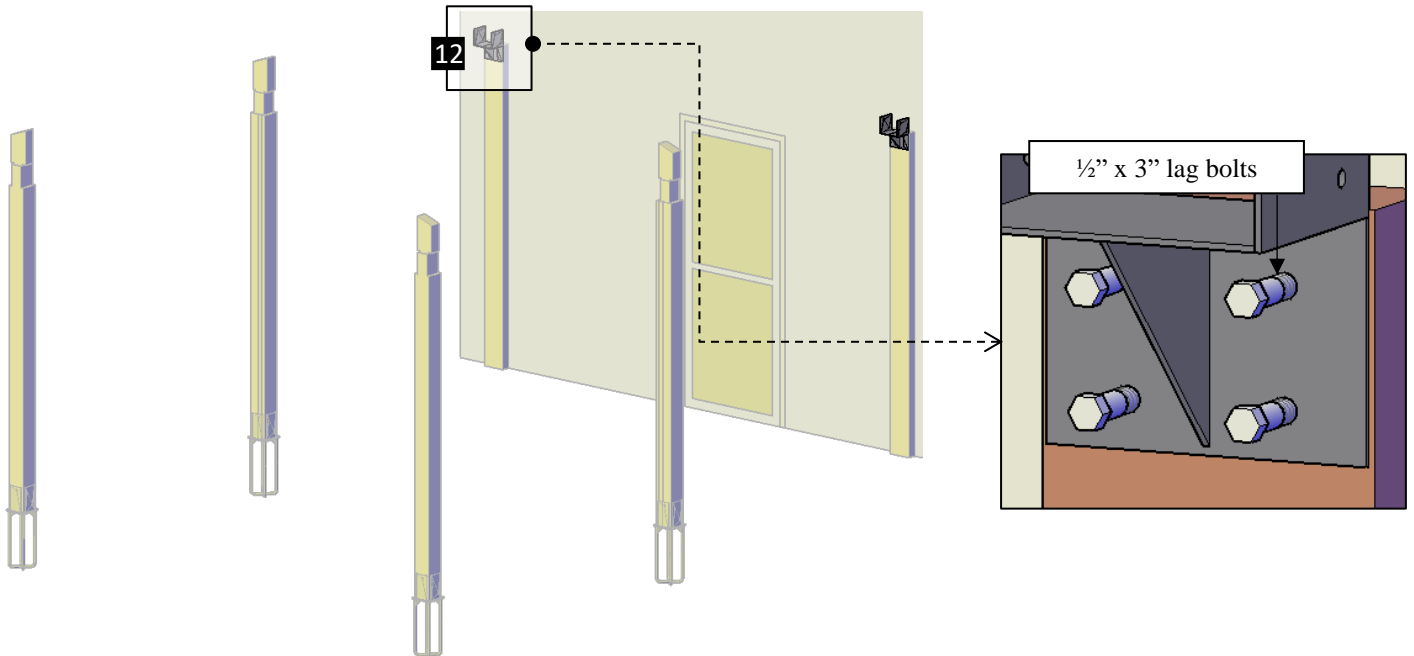
NOTE: In order to know where the post needs to be placed, check the numbers on them. If the post is not marked, then place the single Supports on the ground to locate the markings for each post position and clearly set your bearings. (“Don’t attach yet, only place them on the ground to begin with”).

Note: Before install the anchor bases make sure that the ground is level using a carpenter’s level or hydro-level (water level).

Step 1: Install the High wind anchor Bases (13). Please see the “How to anchor your pergola document” for all details. Set your post (1) in the saddle of the anchor bases. Drill a ϕ $\frac{1}{4}$ ” hole in the post prior to anchoring to facilitate the ratcheting of the hardware, use $\frac{5}{16}$ ” at 3” lag bolts” (A) to attach each post to its respective anchor base. After that, use $\frac{1}{2}$ ” x 6” lag bolts (B) to attach the post to the wall.

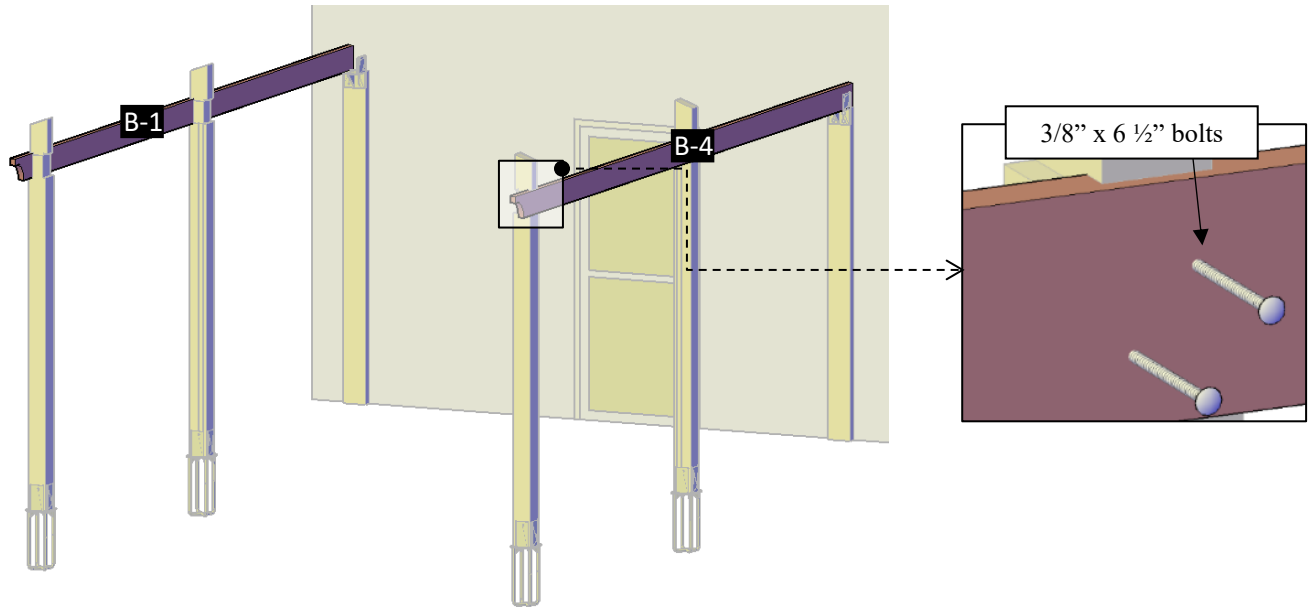


Step 2: Attach the metal plaque (12) to the post with $\frac{1}{2}$ ” x 3” lag bolts (C).

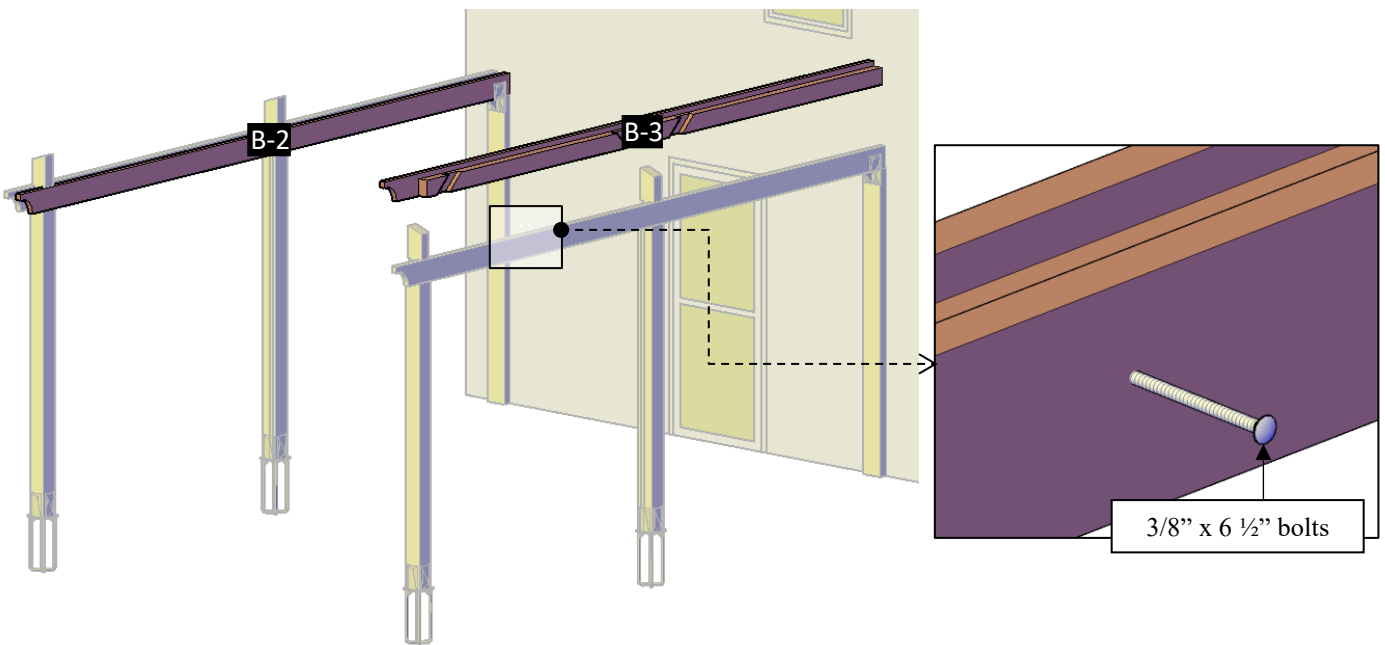


Step 3: Attach the single supports (2) to the posts with 3/8" x 6 1/2" bolts (D). Check the marked numbers on each support and place as drawings shown.

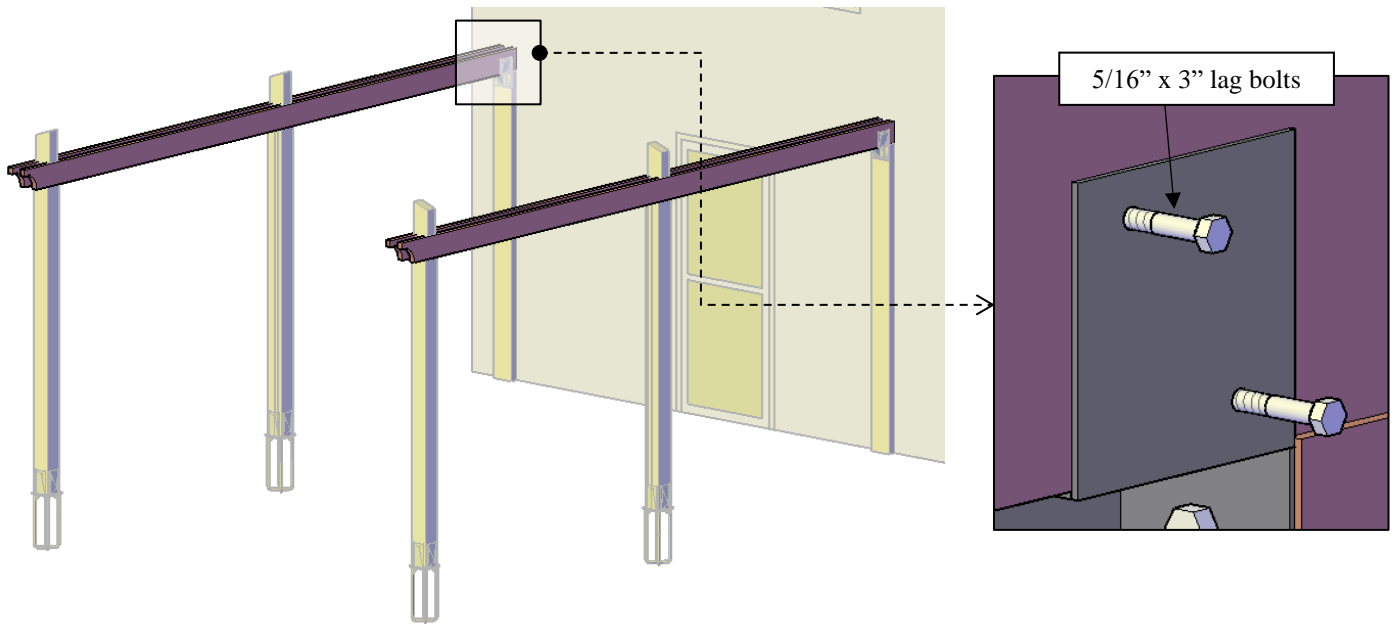
Note: Don't completely tighten yet the bolts – you will need the install the supports with in between blocking first.



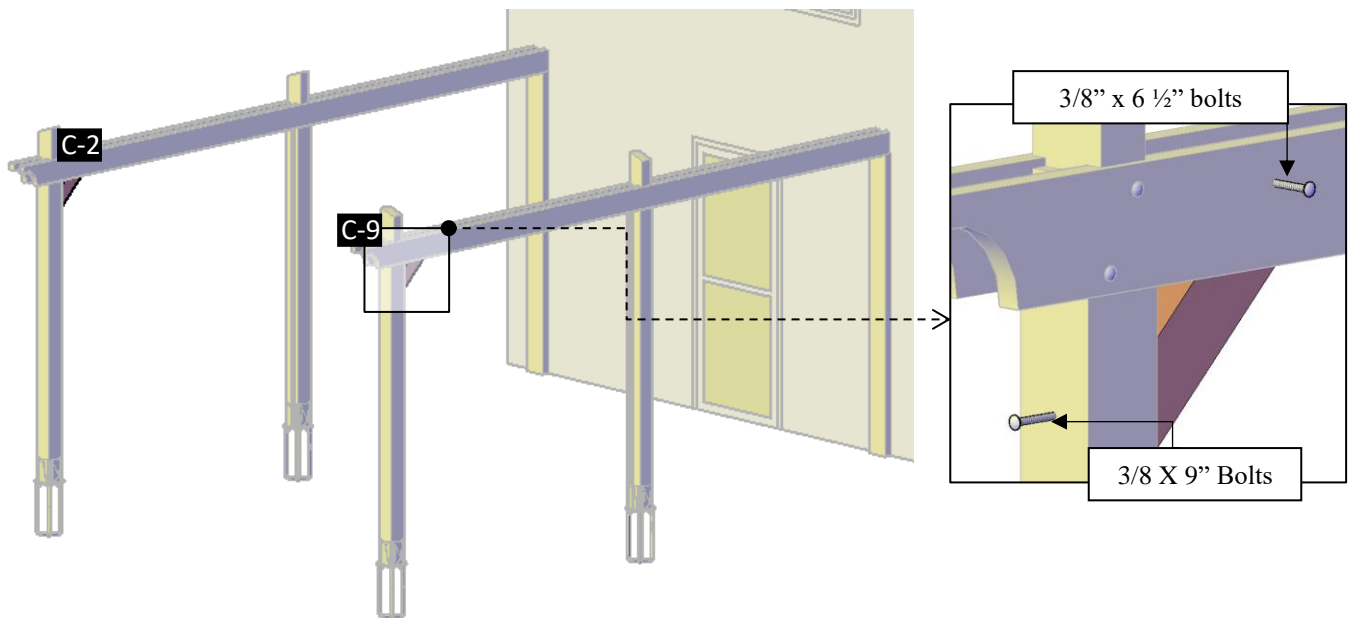
Step 4: Attach the single supports to the supports with in-between blocking (3), use 3/8" x 6 1/2" bolts (D). After that, return to the bolts described in the step 3 and tighten fully. Check the marked numbers on each support with in-between blocking and place as drawings shown.



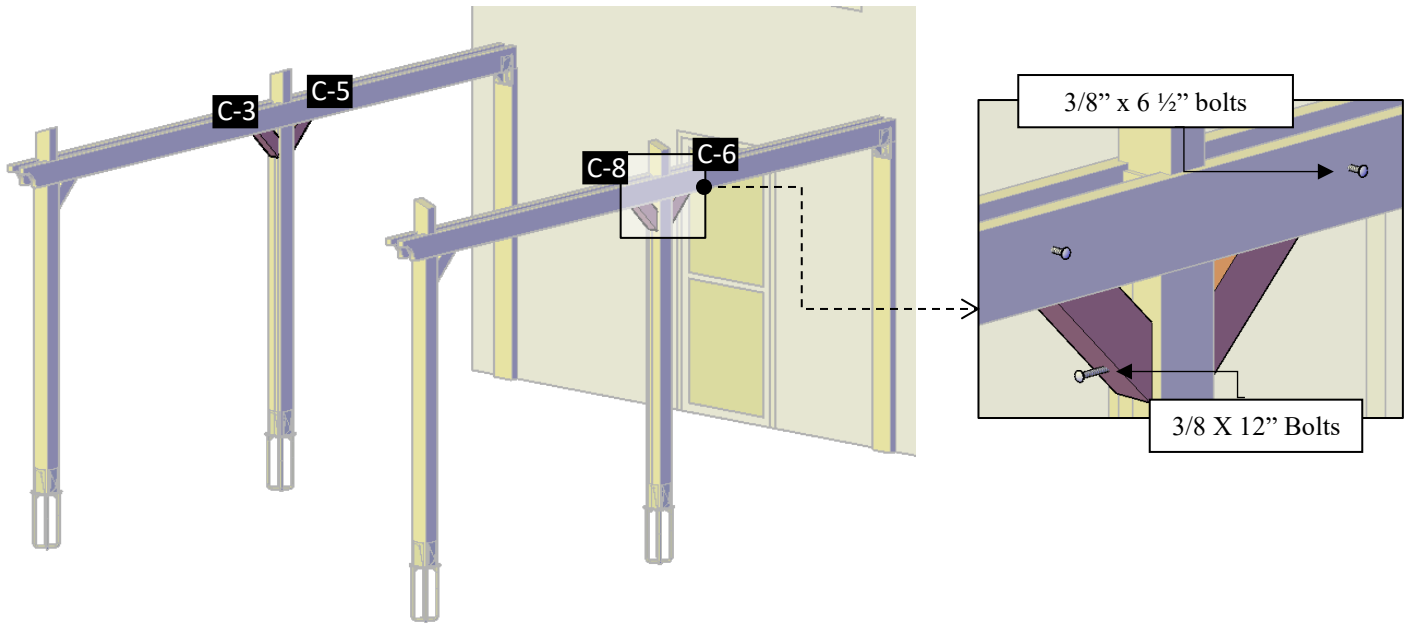
Step 5: Attach the metal plaque (12) to the supports with 5/16" x 3" lag bolts (A).



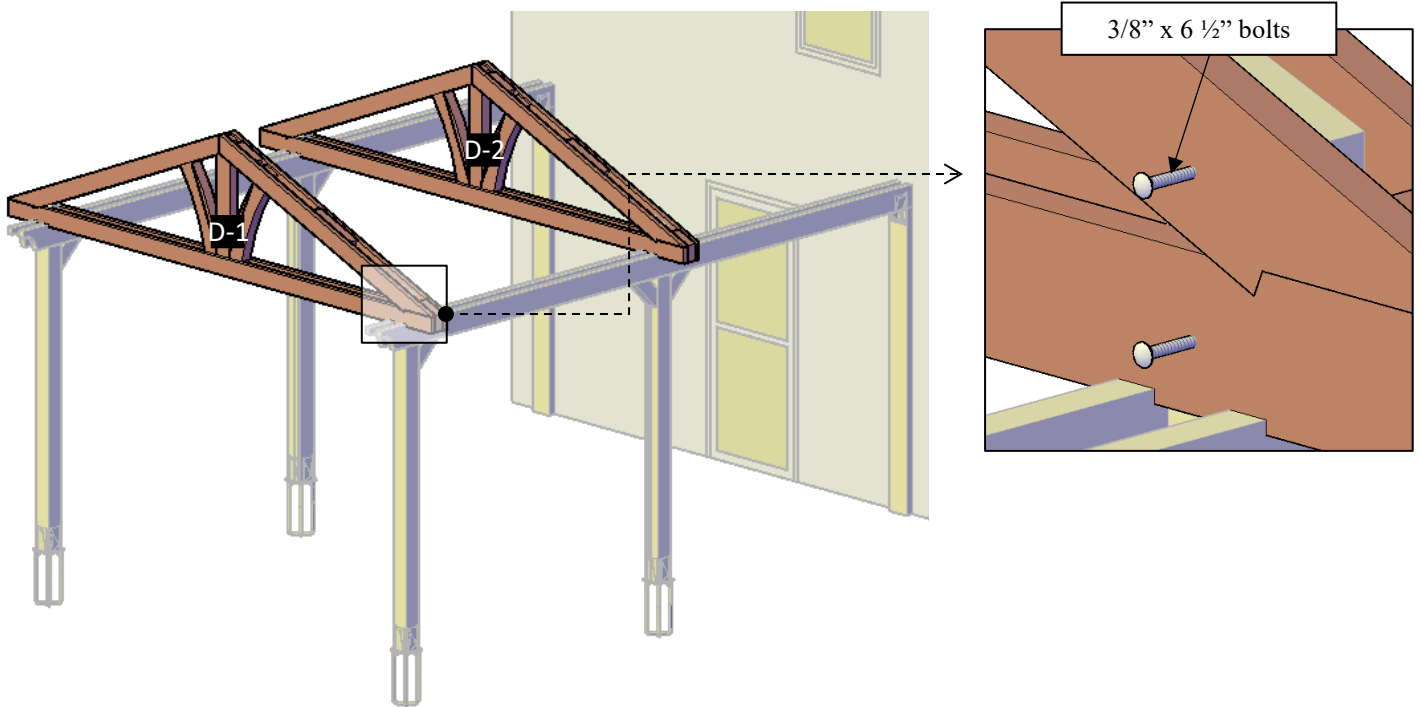
Step 6: Attach the main knee braces (8) to the supports with 3/8" x 6 1/2" bolts (D) and to the posts with 3/8 X 9" Bolts (E) with washer and nuts. Check the marked numbers on each main knee brace and place as drawings shown.



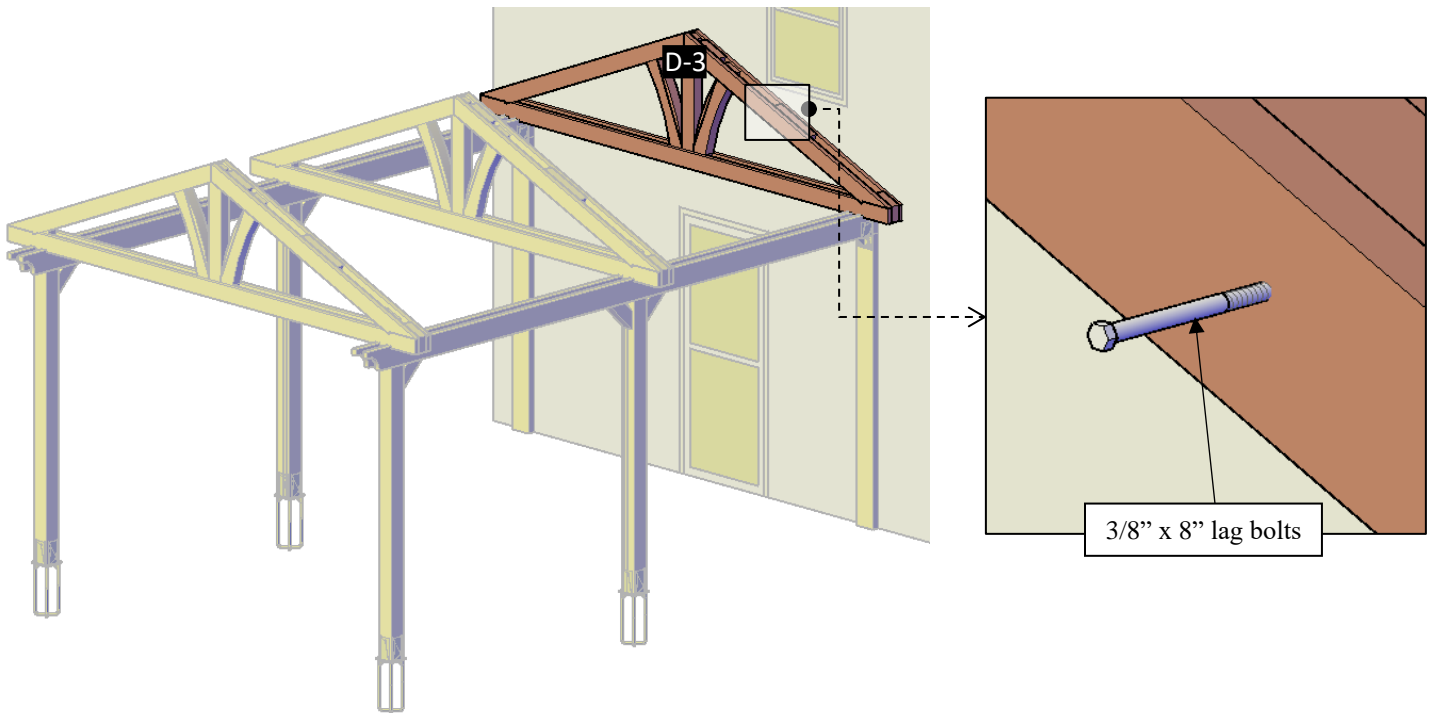
Step 7: Attach the central knee braces (8) to the supports with 3/8" x 6 1/2" bolts (D) and to the posts with 3/8 X 12" Bolts (F) with washer and nuts. Check the marked numbers on each main knee brace and place as drawings shown.



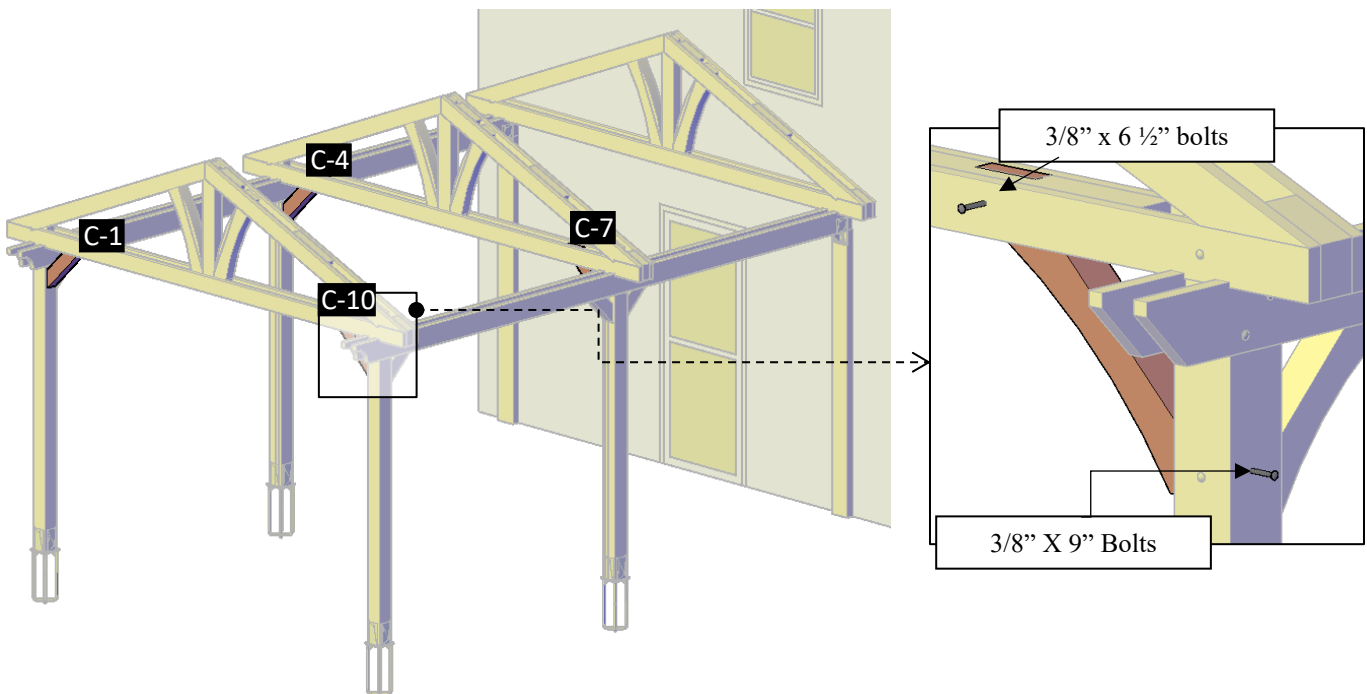
Step 8: Attach the perimeter Roof Trusses (4) to the posts with 3/8" x 6 1/2" bolts (D) with washer and nuts. Check the marked numbers on each roof truss and place as drawings shown.



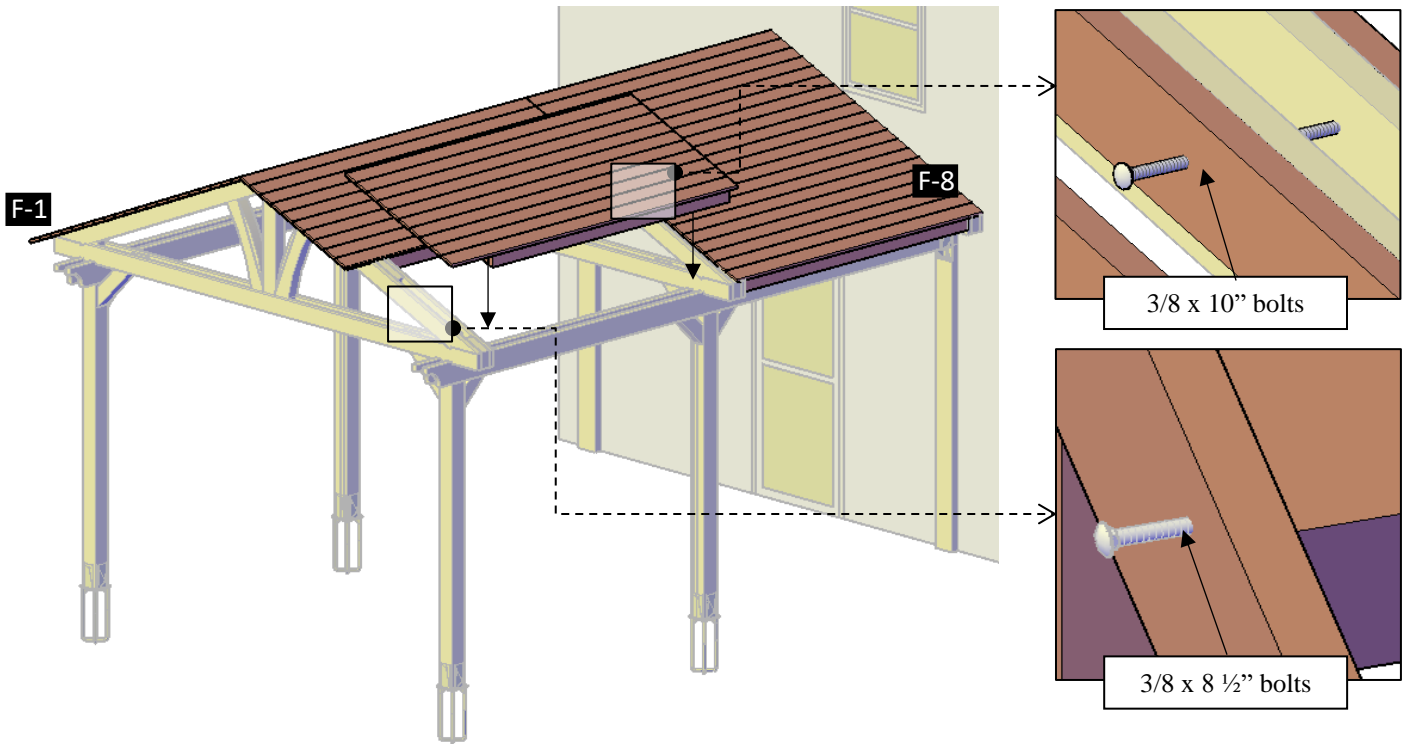
Step 9: Attach the back roof trusses (4) to the wall 3/8" x 8" lag bolts (G). Check the marked numbers on each roof truss and place as drawings shown.



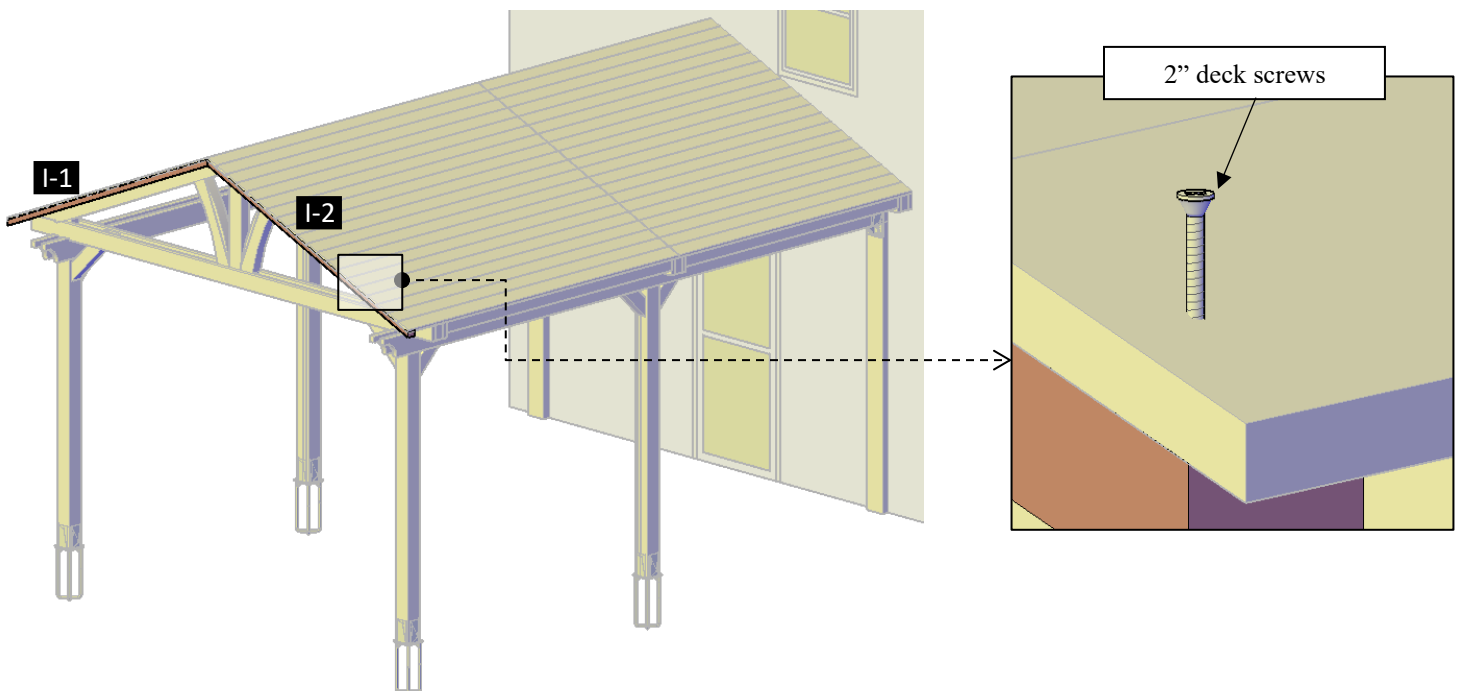
Step 10: Attach the secondary knee braces (9) to the Roof Trusses with 3/8" x 6 1/2" bolts (D) and to the posts with 3/8" x 9" Bolts (E) with washer and nuts. Check the marked numbers on each secondary knee brace and place as drawings shown.



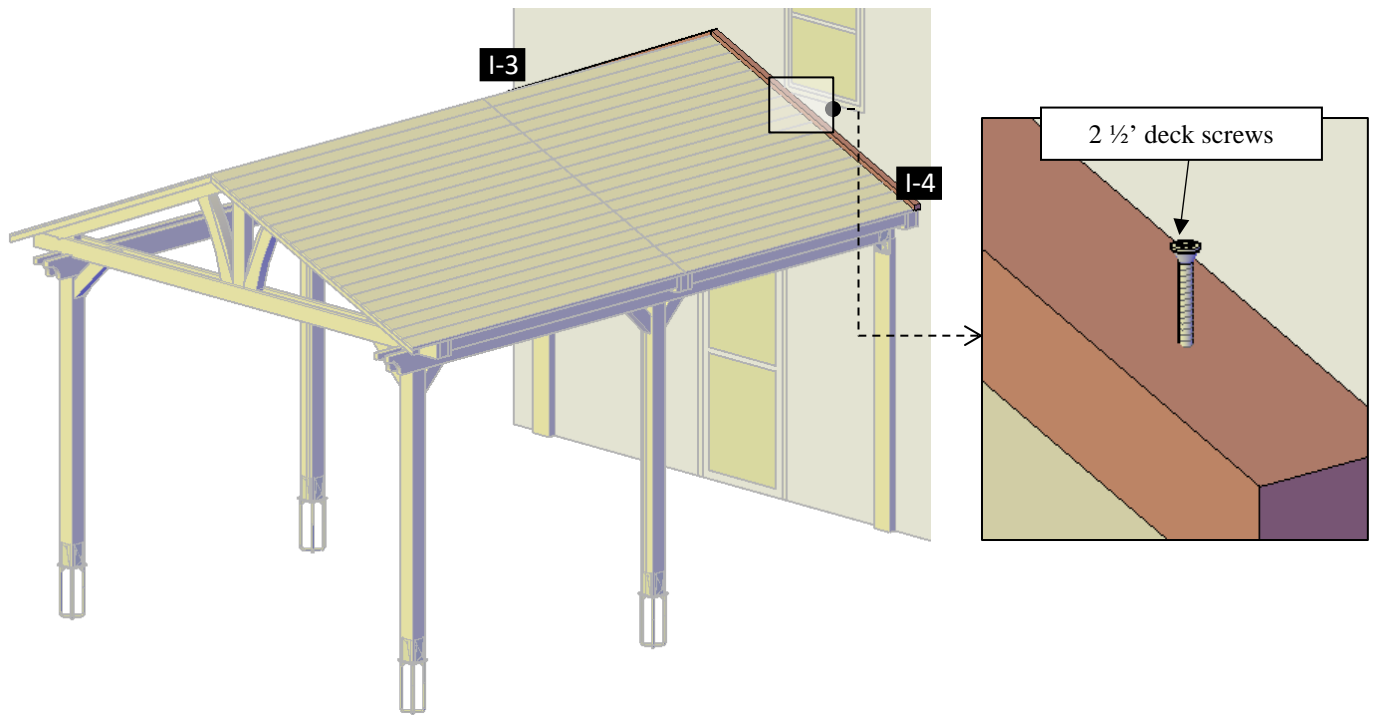
Step 11: Attach the roof panels (5) to the Central Roof Trusses with 3/8 x 10" bolts (H) and to the perimeter Roof Trusses with 3/8 x 8 1/2" bolts (I) with washer and nuts. Check the marked numbers on each roof panels and place as drawings shown (F-1 at F-8)..



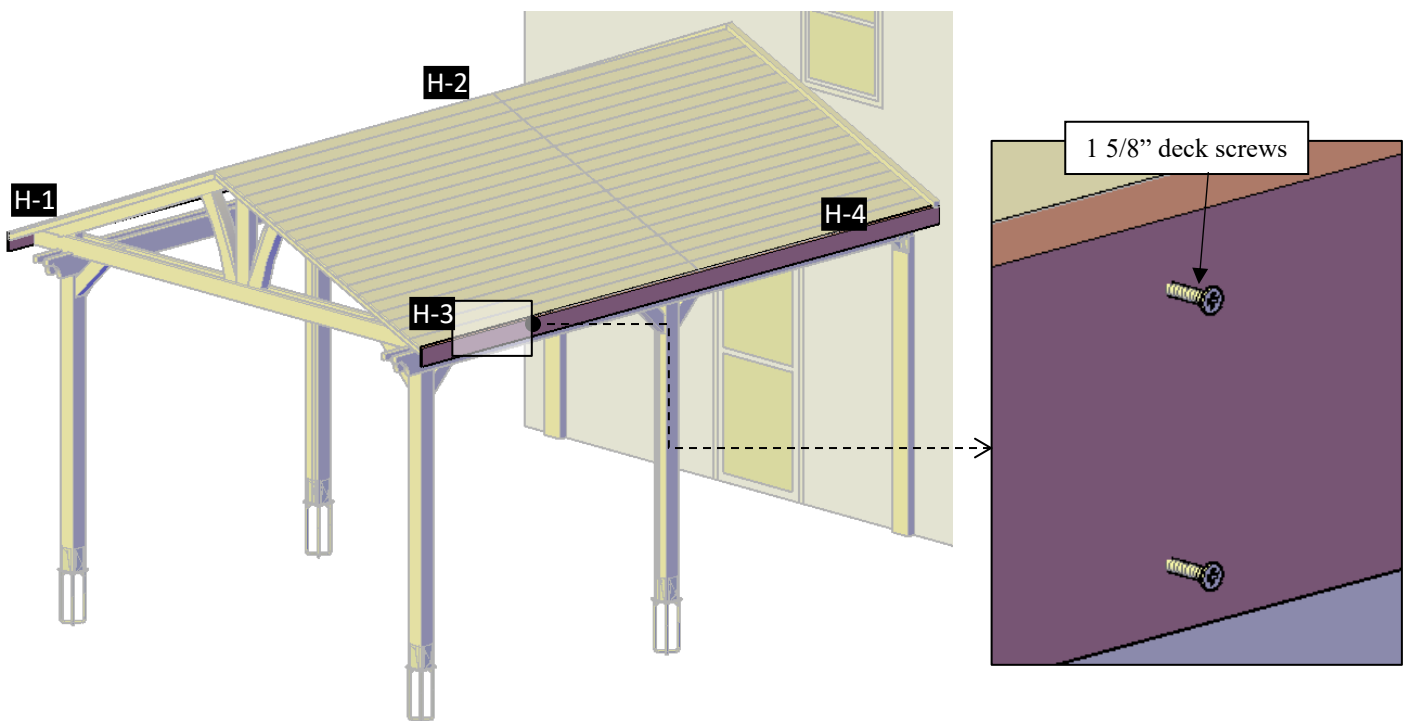
Step 12: Attach the front roof trims (6) to the roof boards with 2" deck screws (J). Check the marked numbers on each roof trims and place as drawings shown.



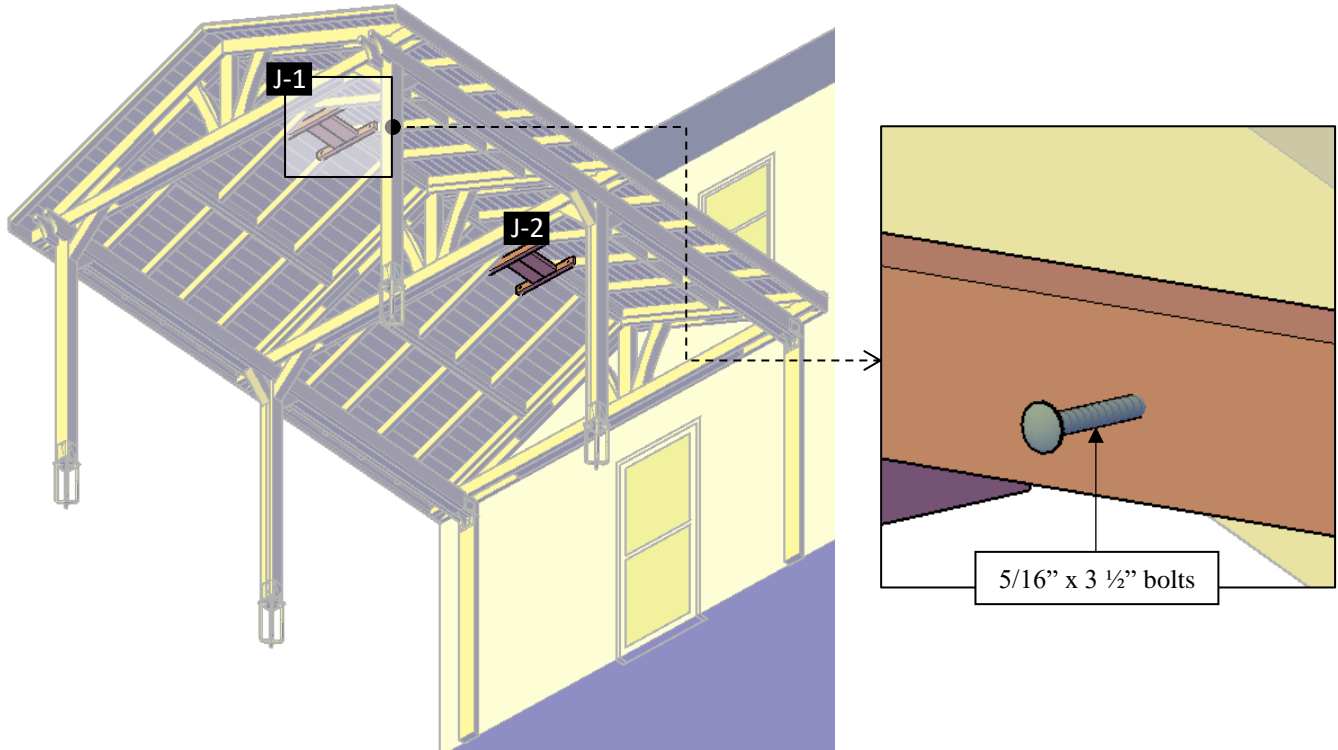
Step 13: Attach the back roof trims (6) to the roof boards with 2 1/2" deck screws (K). Check the marked numbers on each roof trim and place as drawings shown.



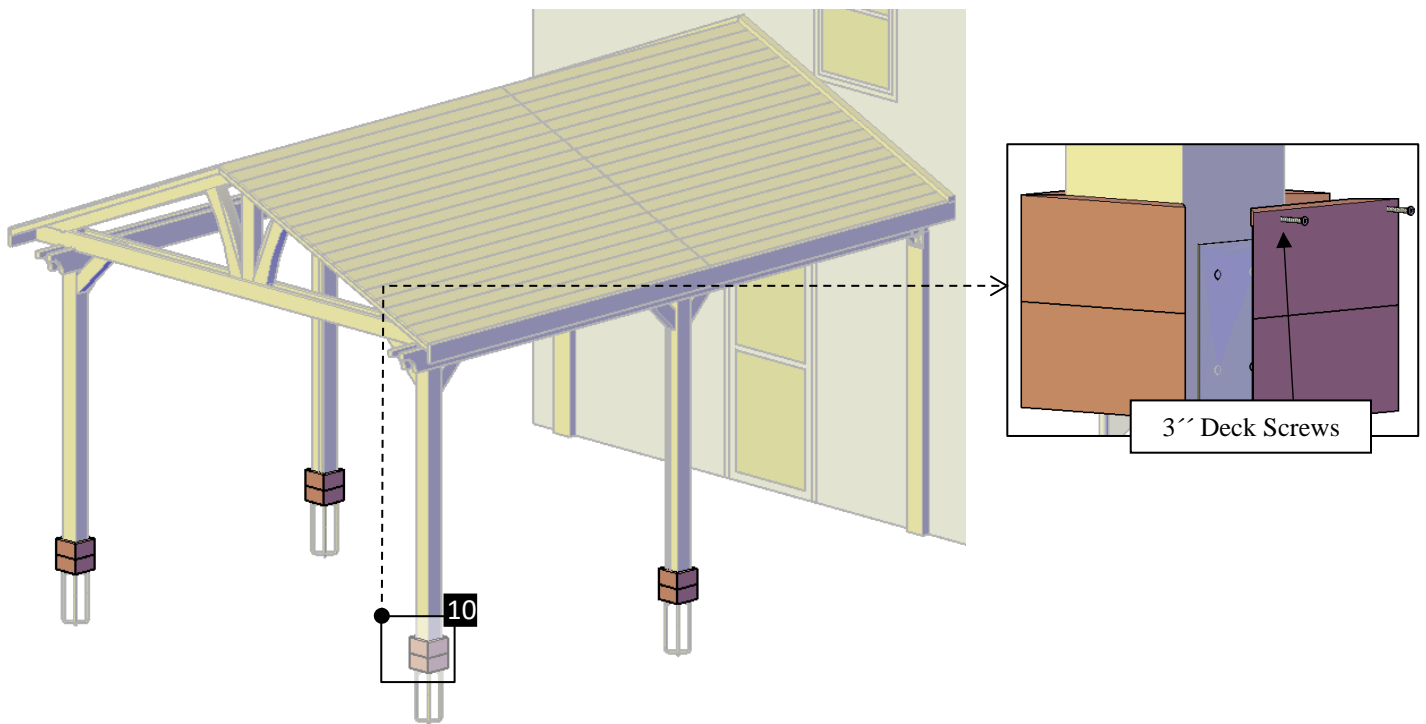
Step 14: Attach the fascias (7) to the roof trusses with 1 5/8" deck screws (L). Check the marked numbers on each fascia and place as drawings shown.



Step 15: Attach the ceiling fan base (11) to the rafter with 5/16" x 3 1/2" bolts (M) with washer and nuts. Check the marked numbers on the ceiling fan base and place as drawings shown.



Step 16: Finally, attach the boots (10) to each post with 3" deck screws (N).





This completes the Pavilion assembly. Hope you enjoy your set for many decades. If you ever have a problem or a question, don't hesitate to call us (866 332 2403) or email us. We are here to support you.