



# FOREVER REDWOOD

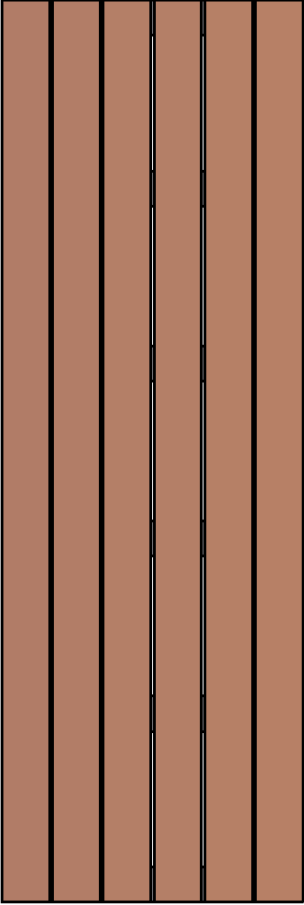
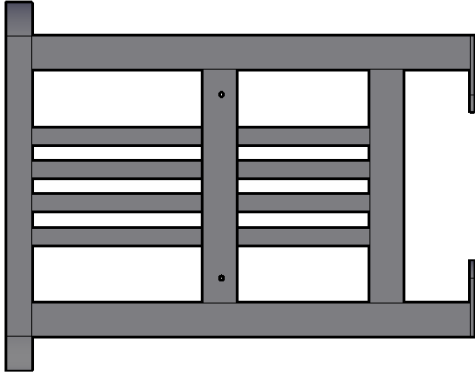
*From the Forest, For the Forest since 1995*

---

866.332.2403 (TOLL FREE); 7am – 7pm Pacific Time, Monday-Saturday

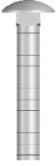



## ASSEMBLY INSTRUCTIONS FOR THE MUSEUM BENCH



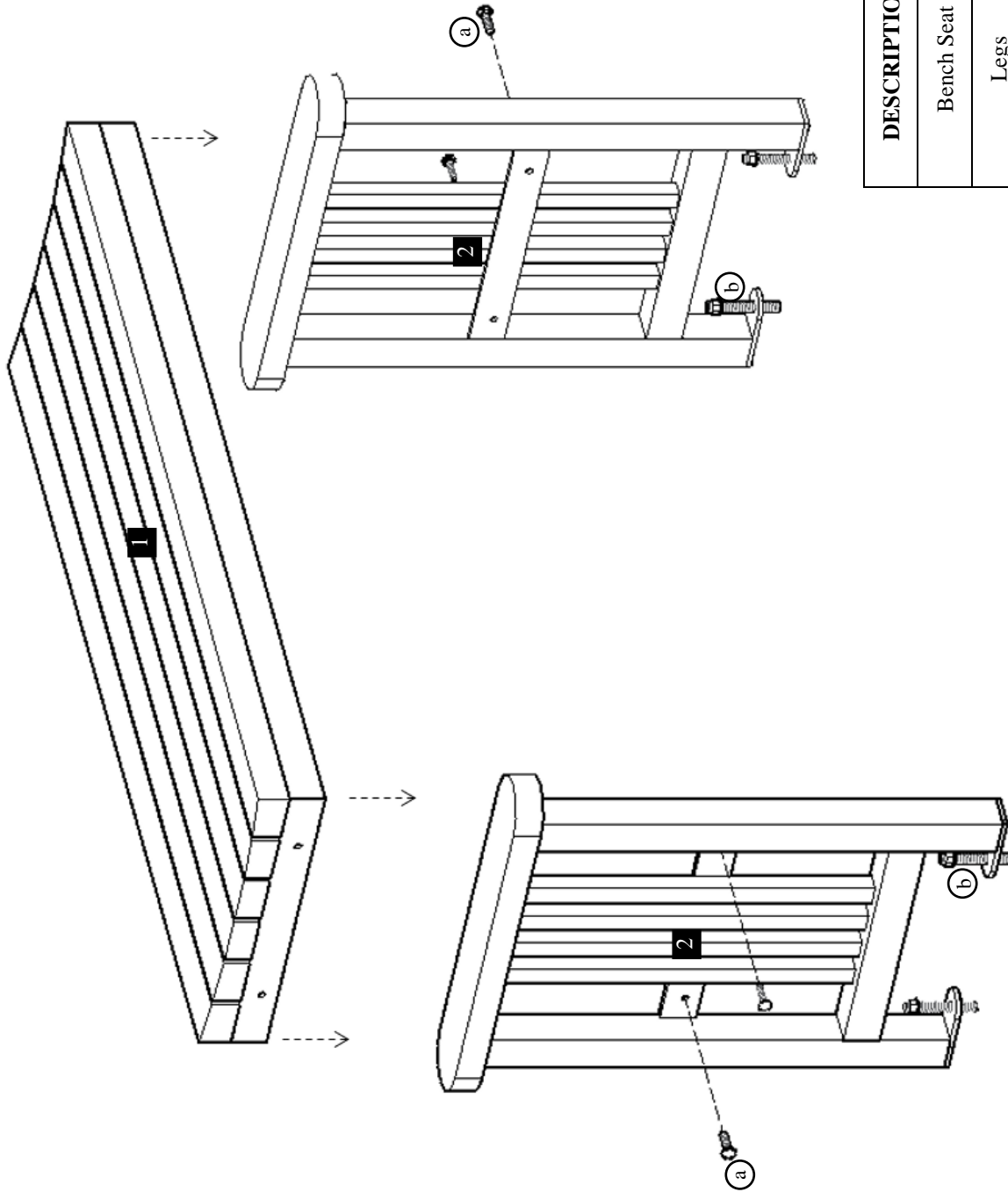
CONTENT OF BOXES			
Qty.	Description	Drawing	No.
1	Bench Seat		1
2	Legs		2

*Note: Part numbers in the Content of Boxes Table are for reference only. These do not match to the numbers marked on the parts sent.*

**CONTENT OF BOXES**

Qty.	Description	Drawing	No.
4	5/16" x 1 1/2" Bolts (To attach the bench seat to the legs).		a
4	1/2" x 4" Anchor Bolts (To attach the legs to the ground).		b
4	Nuts		c
4	Washers		d

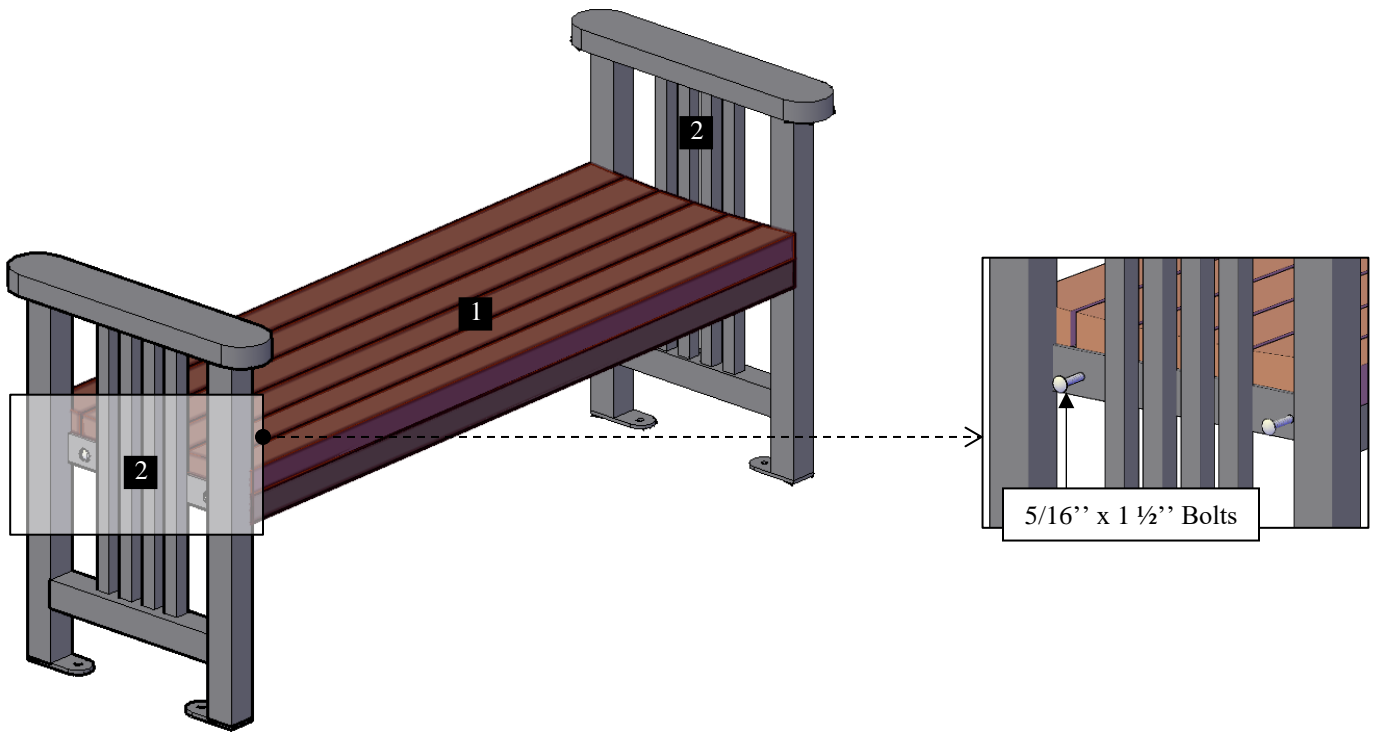
*Note: Dimensions of your hardware will vary depending on size.*



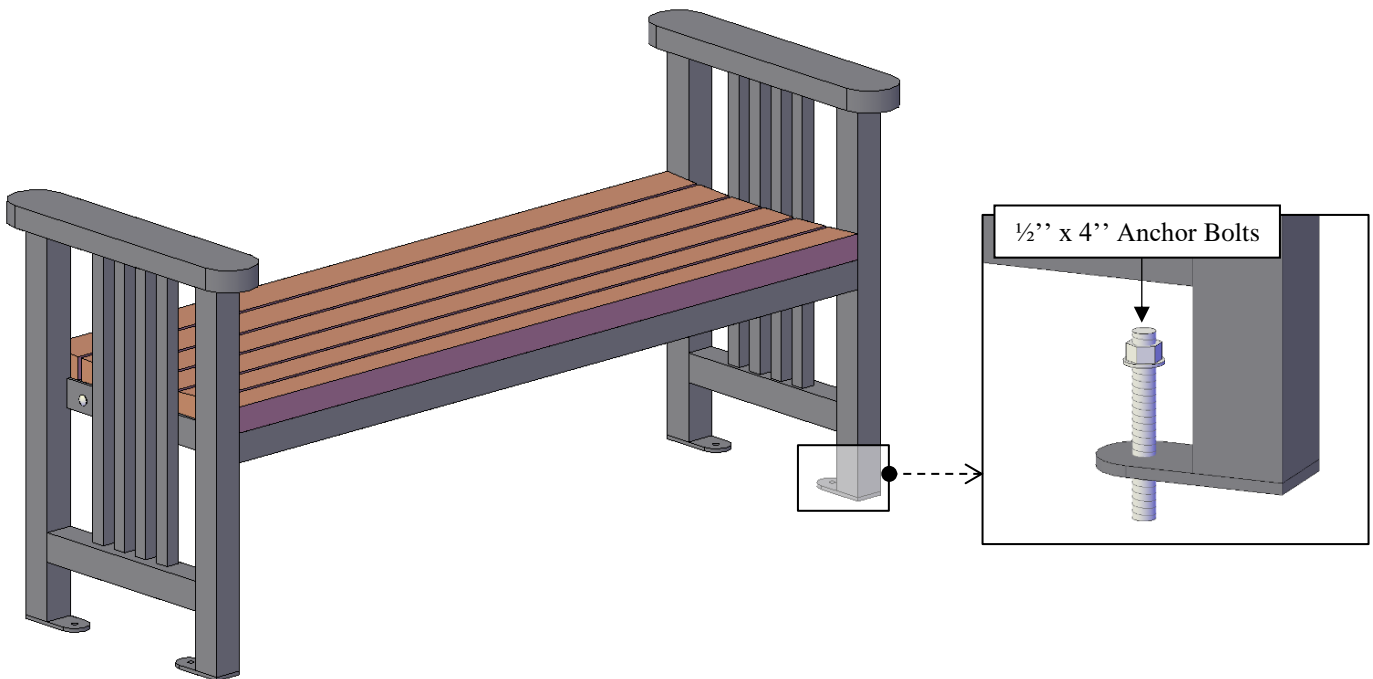
DESCRIPTION	No.
Bench Seat	1
Legs	2
5/16" x 1 1/2" Bolts	a
1/2" X 4" Anchor Bolts	b

*Note: Part numbers in the Drawing are for reference only. These do not match to the numbers marked on the parts sent.*

**Step 1:** Use 5/16" x 1 1/2" bolts (a) with nuts (c) and washers (d) to attach the bench seat (1) to the legs (2). Each part has a series of numbers that indicate where to attach the part with the corresponding number.



**Step 2:** Finally, attach the legs to the ground with 1/2" x 4" anchor bolts (b).







*This completes the Bench Assembly. Hope you enjoy your set for many decades. If you ever have a problem or a question, don't hesitate to call us (866 332 2403) or email us. We are here to support you.*