



FOREVER REDWOOD

From the Forest, For the Forest since 1995

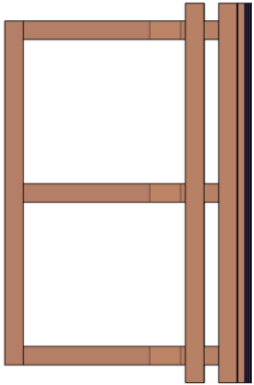
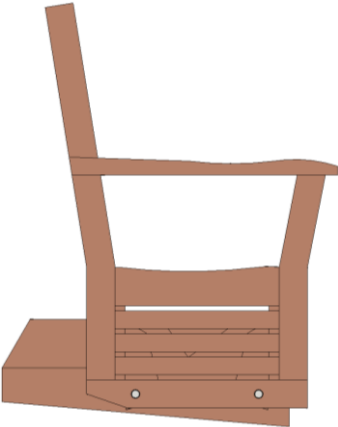
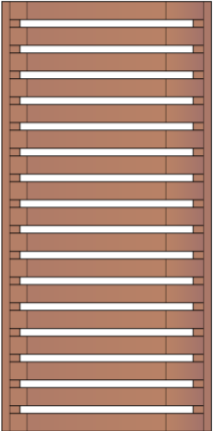
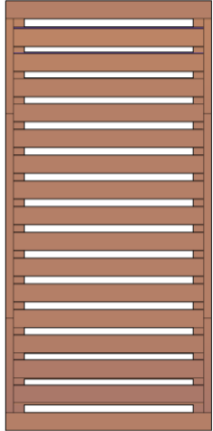
866.332.2403 (TOLL FREE); 7am – 7pm Pacific Time, Monday-Saturday

ASSEMBLY INSTRUCTIONS FOR THE **THE PORTER THAYER GLIDER**





CONTENT OF BOXES

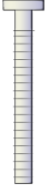
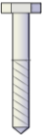
Qty.	Description	Drawing	No.
1	Base		1
2	Legs		2
1	Seat		3
1	Backrest		4

Note: Part numbers in the Content of Boxes Table are for reference only. These do not match to the numbers marked on the parts sent.





HARDWARE LIST

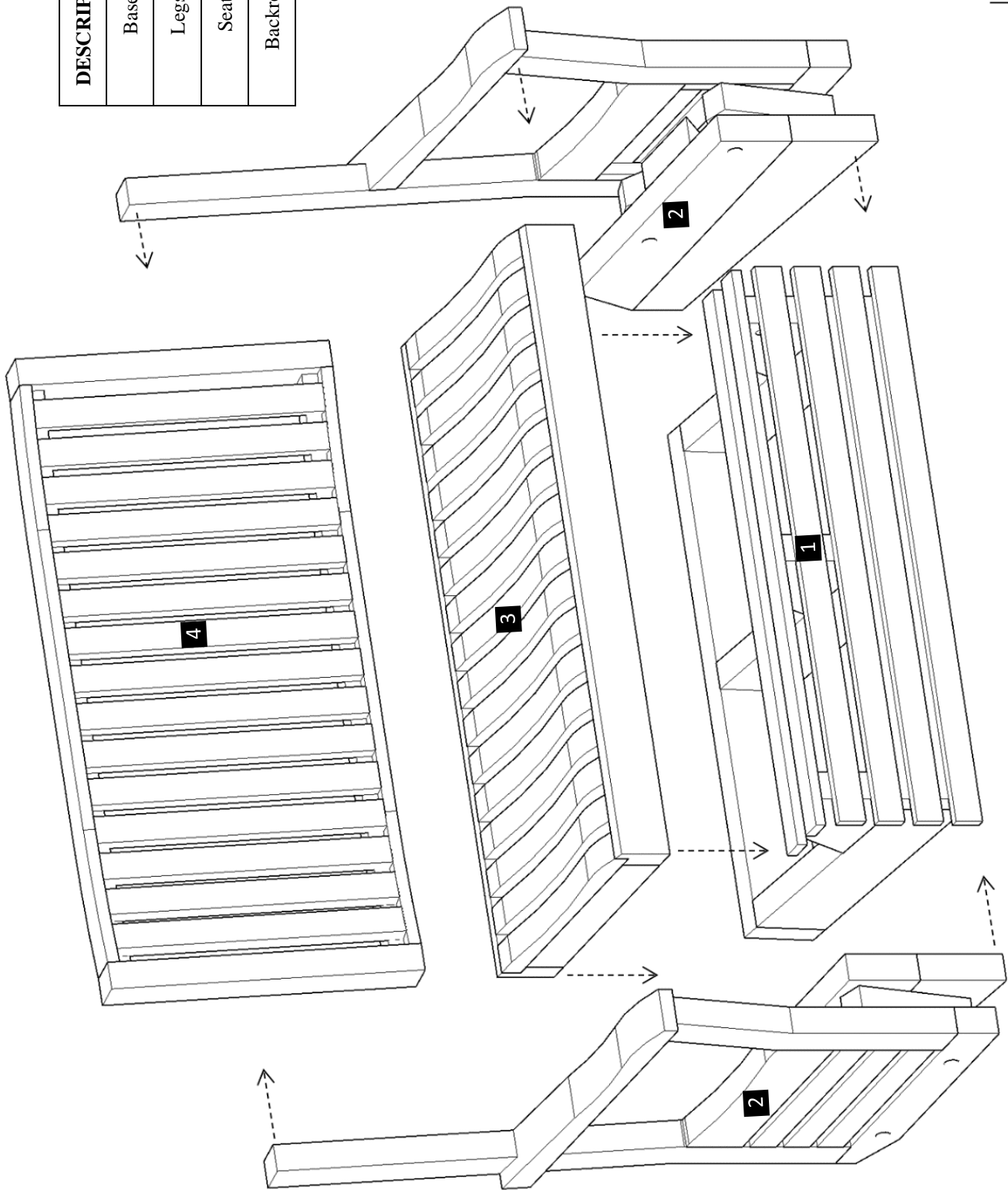
Description	Drawing	No.
5/16" X 3 1/2" Bolts (To attach the legs to the base. / To attach the seat and the backrest to the legs).		A
5/16" X 2 1/2" Lag Bolts (To attach the legs to the base).		B

Note: Dimensions of your hardware will vary depending on size.



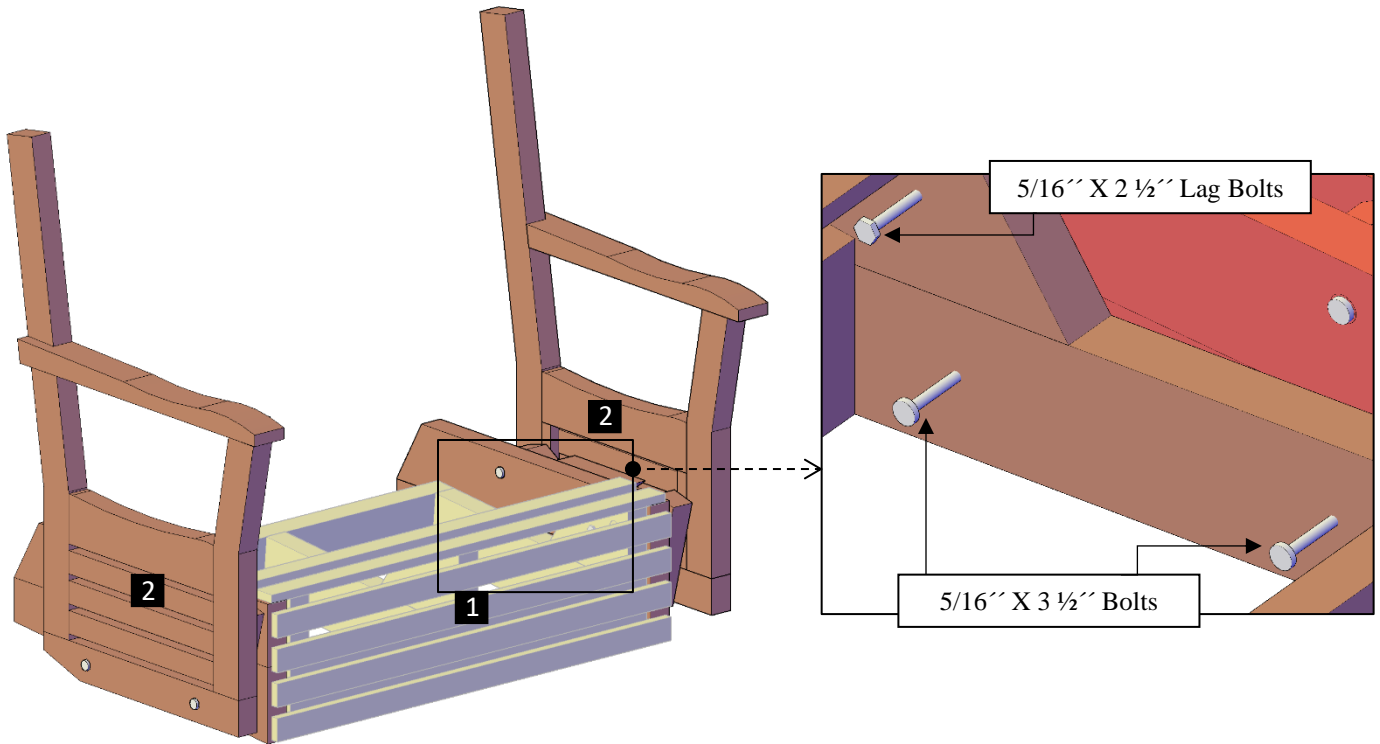


DESCRIPTION	No
Base	1
Legs	2
Seat	3
Backrest	4

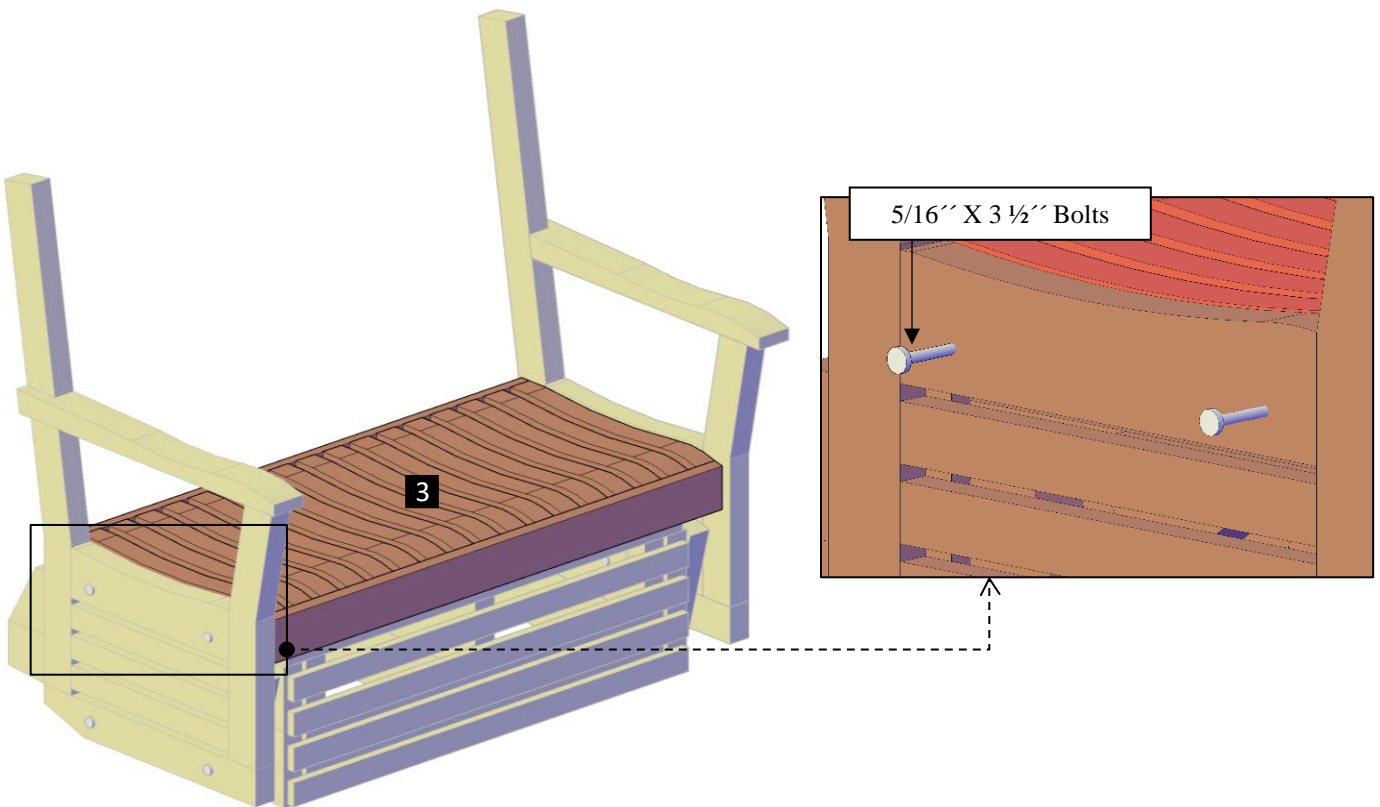


Note: Part numbers in the Drawing are for reference only. These do not match to the numbers marked on the parts sent.

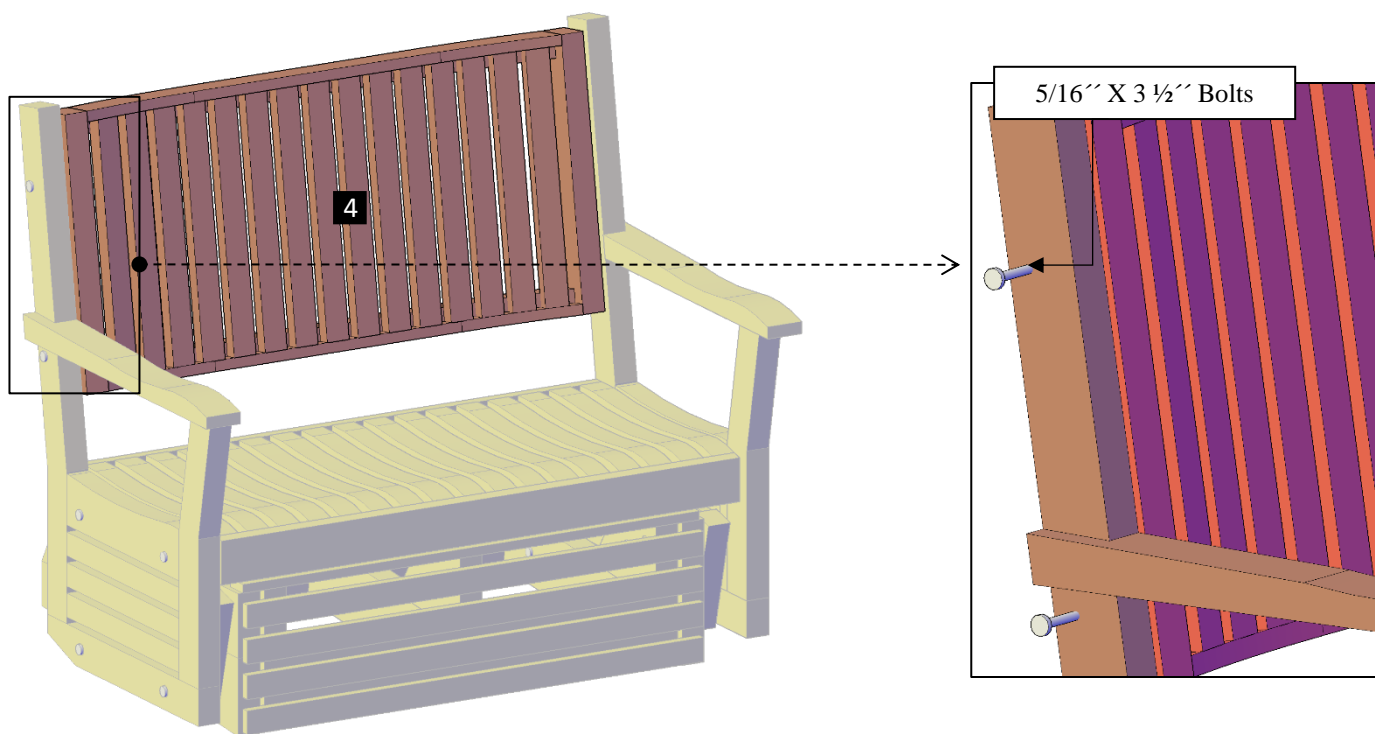
Step 1: Use 5/16" x 3 1/2" bolts (A) and 5/16" x 2 1/2" lag bolts (B) to attach the legs (2) to the base (1). Each part has a series of numbers that indicate where to attach the part with the corresponding number.



Step 2: Attach the seat (3) to the legs with 5/16" x 3 1/2" bolts (A), as shown below. Each part has a series of numbers that indicate where to attach the part with the corresponding number.



Step 3: Finally, use 5/16" x 3 1/2" bolts (A) to attach the backrest (4) to the legs. Each part has a series of numbers that indicate where to attach the part with the corresponding number.





This completes the Glider assembly. Hope you enjoy your set for many decades. If you ever have a problem or a question, don't hesitate to call us (866 332 2403) or email us. We are here to support you.