



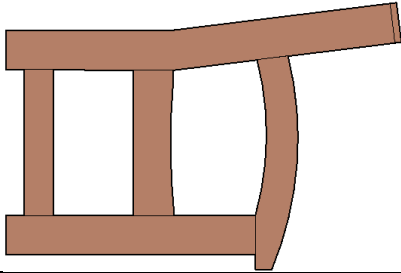
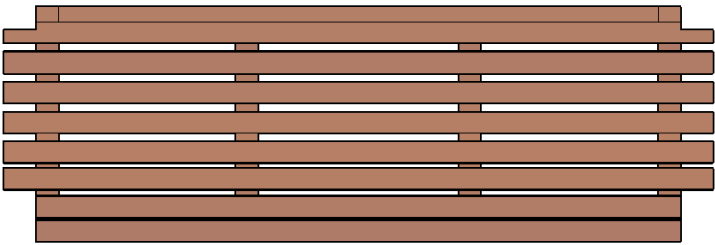
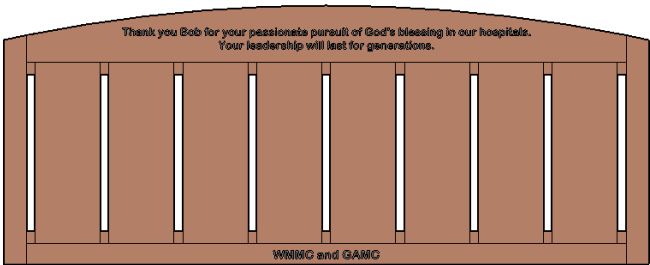


FOREVER REDWOOD

From the Forest, For the Forest since 1995




866.332.2403 (TOLL FREE) (707) 640.29.05 (Option 4) Direct Line for the Design Department; 7am – 7pm Pacific Time, Monday-Saturday

ASSEMBLY INSTRUCTIONS FOR THE THE PRESIDENTIAL BENCH

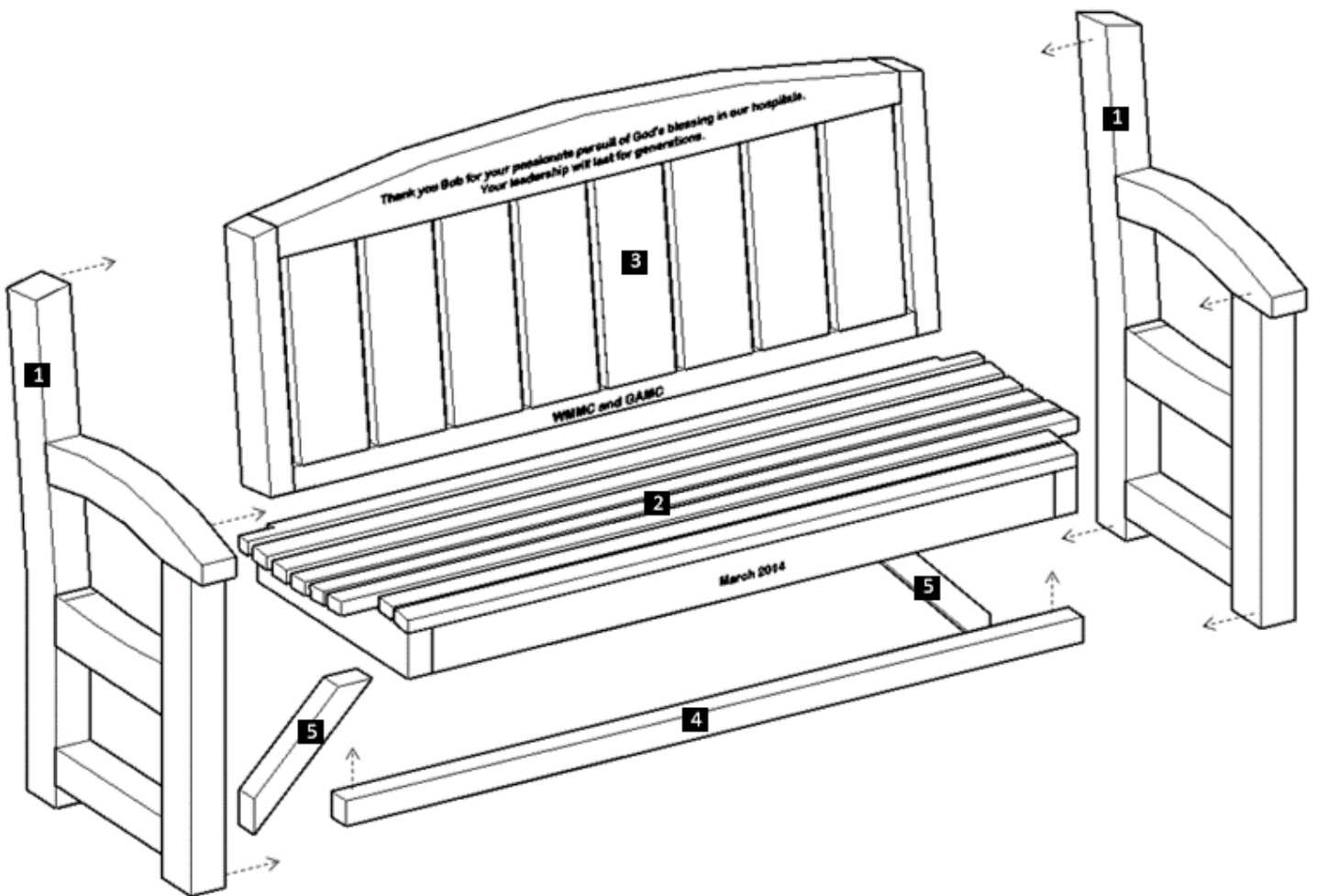


CONTENT OF BOXES			
Qty.	Description	Drawing	No.
2	Legs		1
1	Seat		2
1	Backrest		3
1	Support		4
2	Diagonal support		5

Note: Part numbers in the Content of Boxes Table are for reference only. These do not match to the numbers marked on the parts sent.

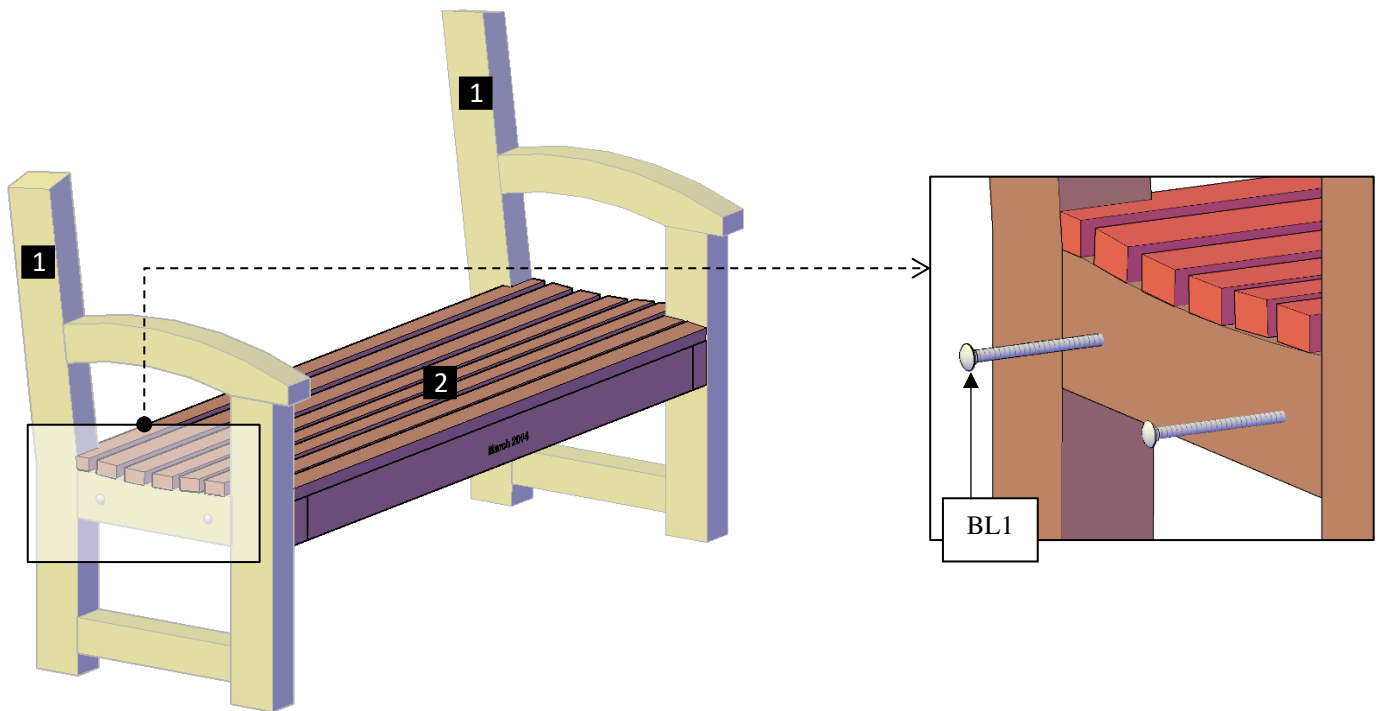
HARDWARE LIST		
Description	Drawing	No.
5/16" x 4 1/2" bolts		BL1
5/16" x 5 1/2" bolts		BL2
5/16" x 3 1/2" bolts		BL3

DESCRIPTION	No.
Legs	1
Seat	2
Backrest	3
Support	4
Diagonal support	5

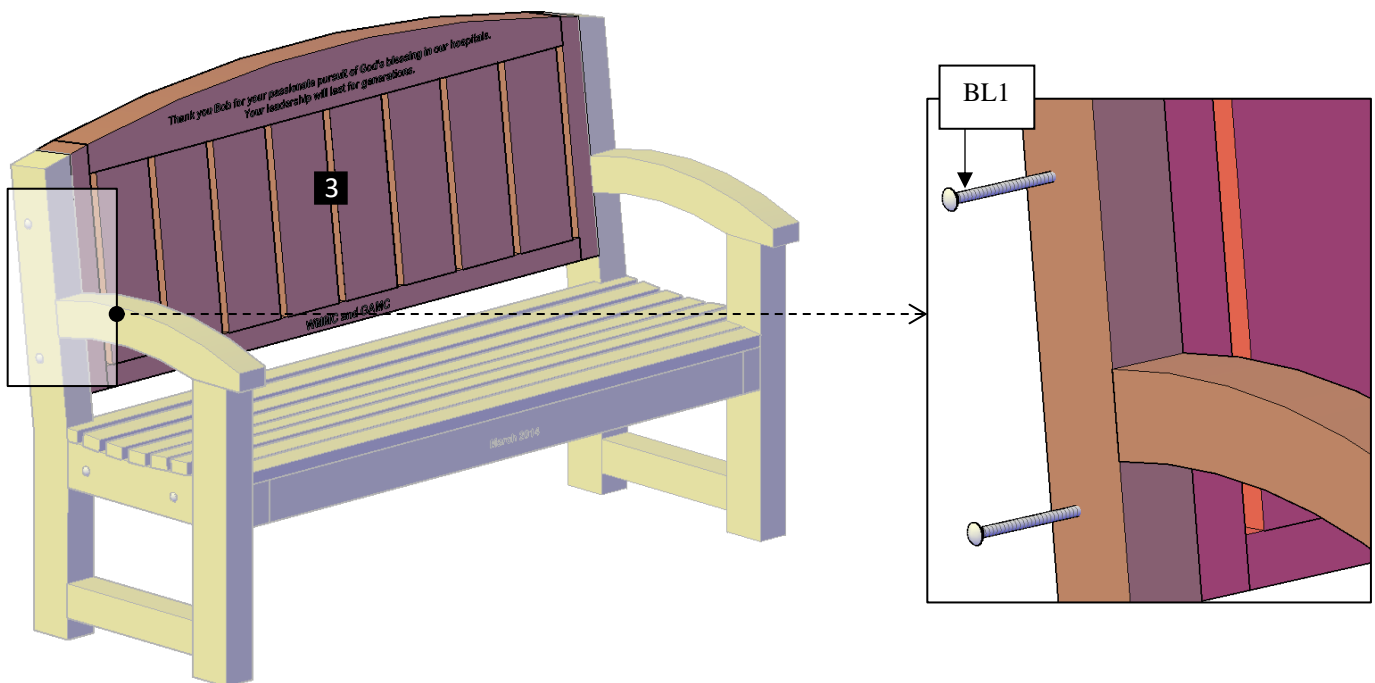


Note: Part numbers in the Drawing are for reference only. These do not match to the numbers marked on the parts sent.

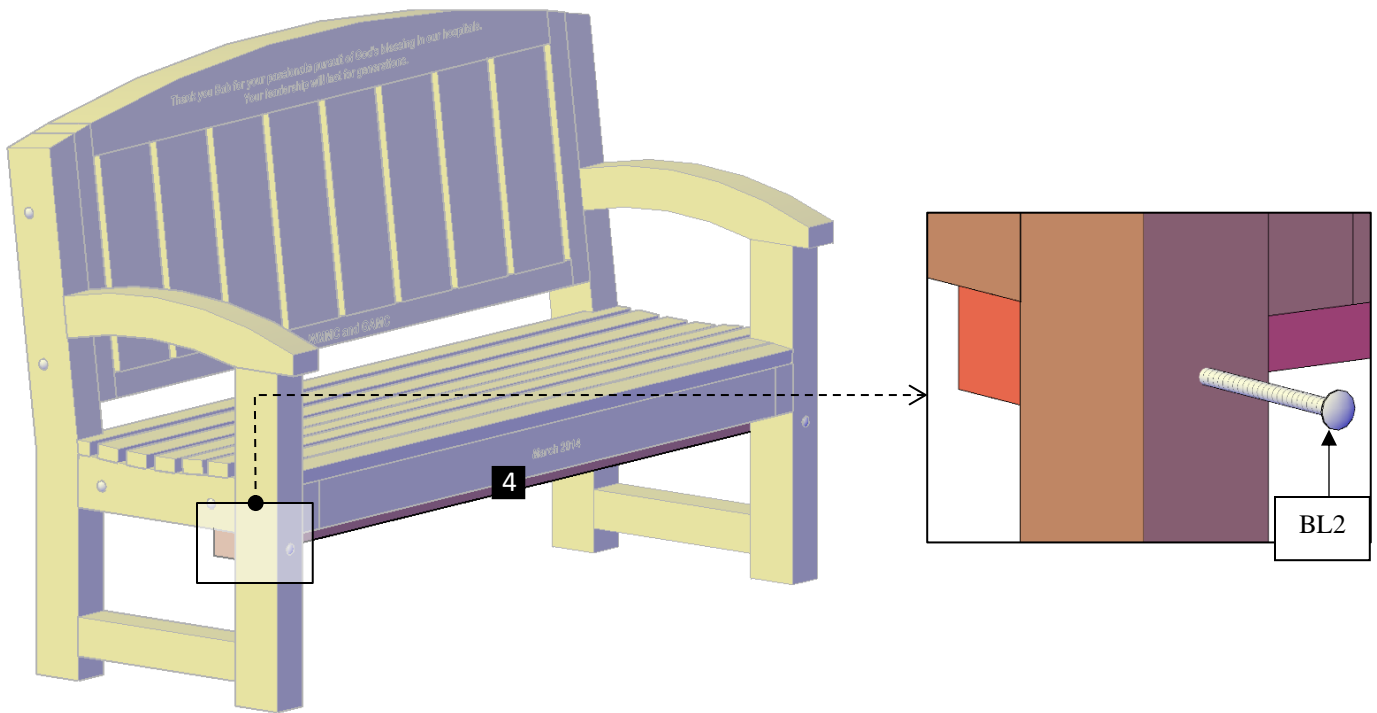
Step 1: Use 5/16" x 4 1/2" bolts (BL1) to attach the legs (1) to the seat (2). Each part has a series of numbers that indicate where to attach the part with the corresponding number.



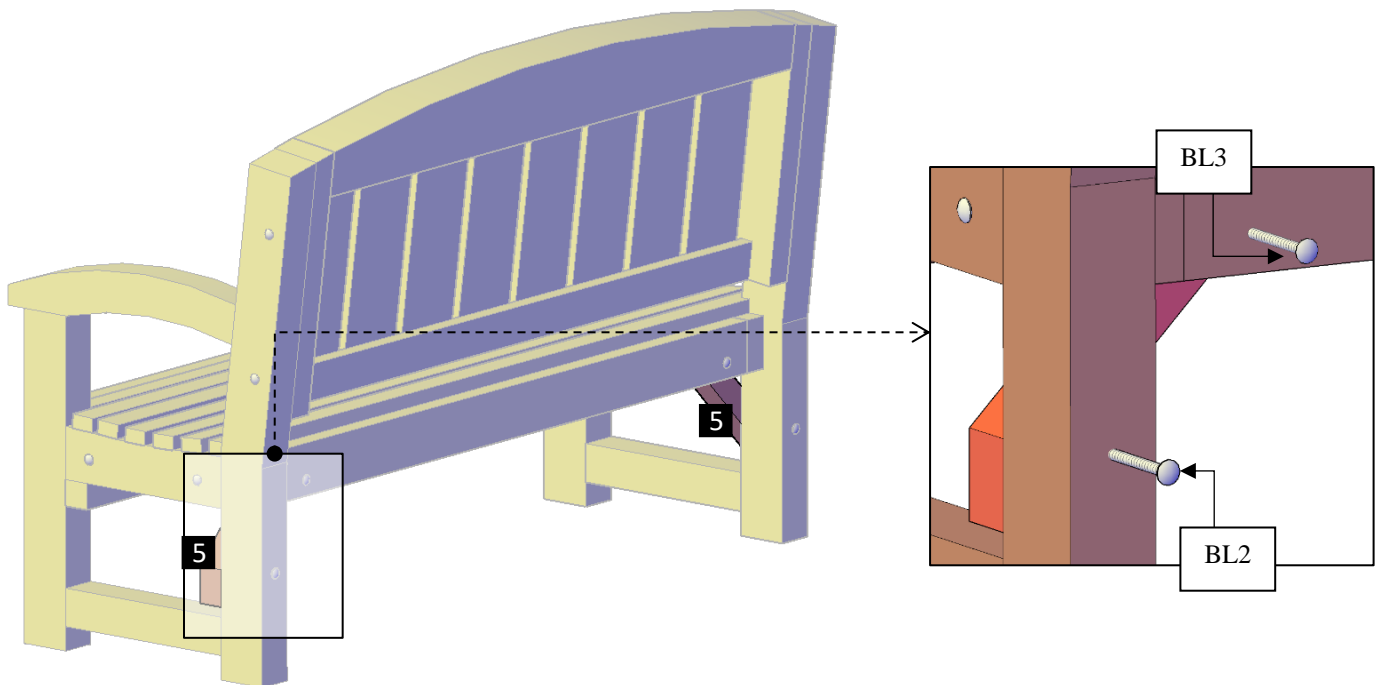
Step 2: Attach the backrest (3) to the legs with 5/16" x 4 1/2" bolts (BL1). Each part has a series of numbers that indicate where to attach the part with the corresponding number.



Step 3: Use 5/16" x 5 1/2" bolts (**BL2**) to attach the support (**4**) to the legs. Each part has a series of numbers that indicate where to attach the part with the corresponding number.



Step 4: Finally, attach the diagonal supports (**5**) to the seat with 5/16" x 3 1/2" bolts (**BL3**) and to the legs with 5/16" x 5 1/2" bolts (**BL2**). Each part has a series of numbers that indicate where to attach the part with the corresponding number.





This completes the Bench assembly. Hope you enjoy your set for many decades. If you ever have a problem or a question, don't hesitate to call us (866 332 2403) or email us. We are here to support you.