

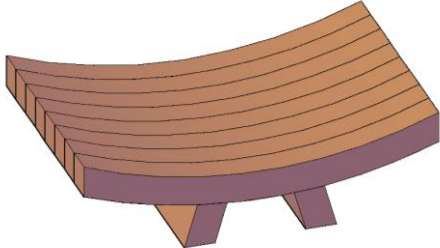
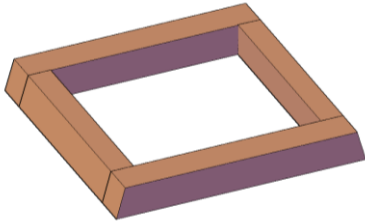
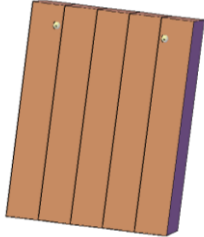
Assembly Instructions for: **THE SANCTUARY PATIO BENCHES**



Thank you for purchasing Forever Redwood patio furniture. Forever Redwood is built by Old-Growth Again Restoration Forestry (OGA). OGA is dedicated to restoration forestry. Sales of patio furniture finance our restoration work in California redwood forestlands.

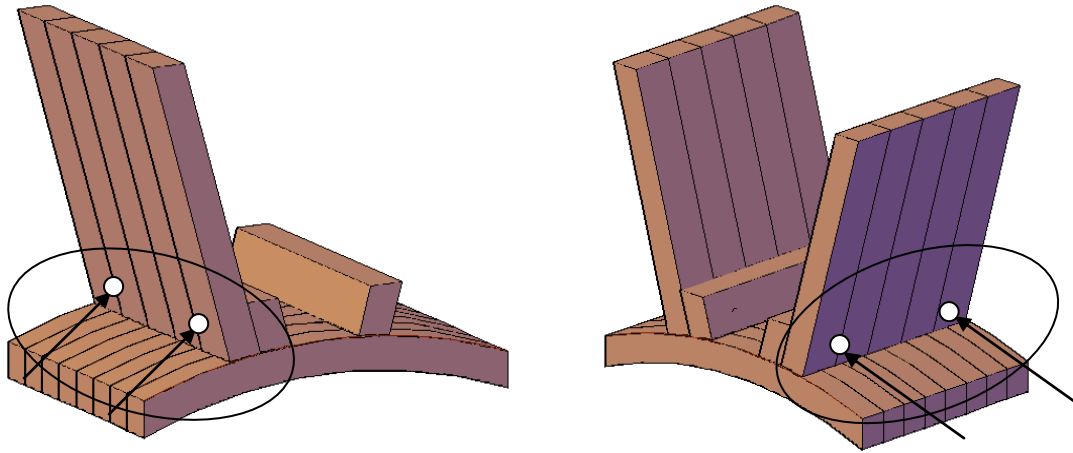
Tools required: ½-inch ratchet and a mallet or small hammer.

Box Content:

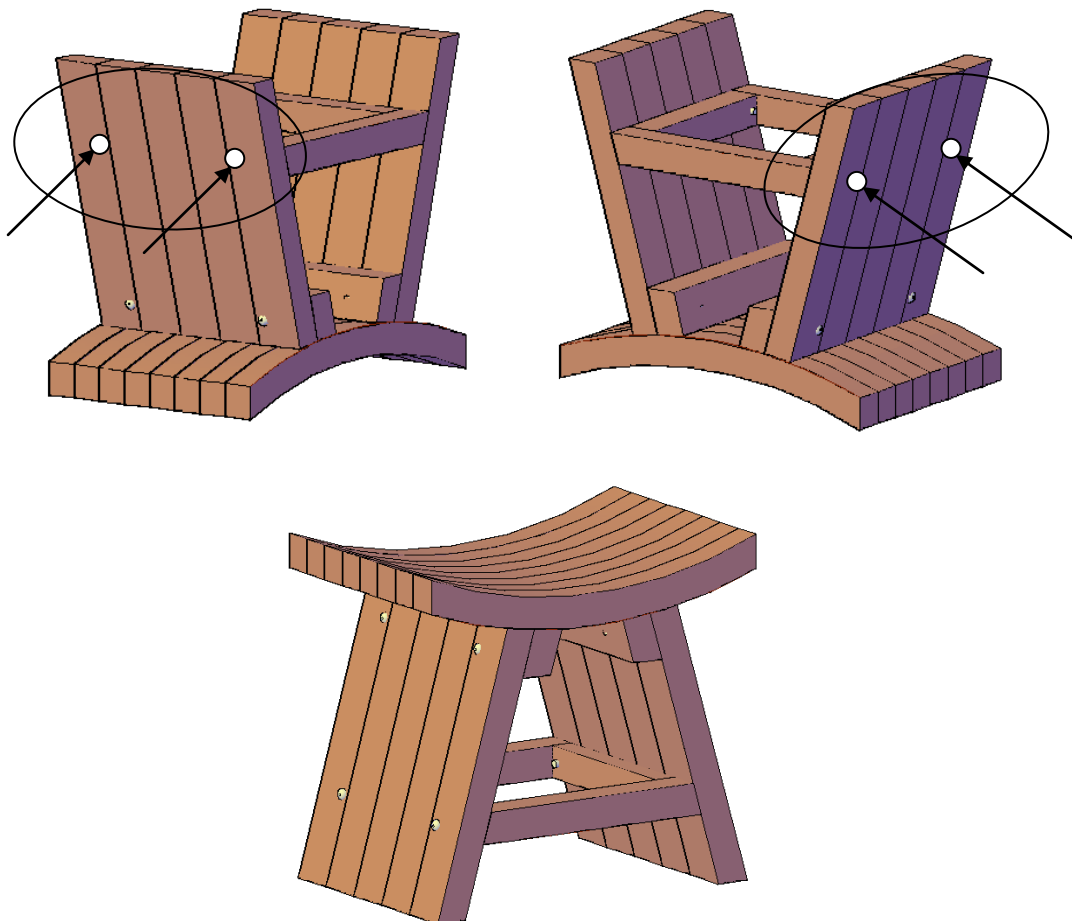
Quantity	Description	Drawings
1	Bench Top	
1	Base Support	
2	Legs	
8	3 ½" x 5/16 Carriage Bolts, Washers and Nuts	

Your furniture was fully assembled in the shop prior to being dismantled for shipping. All the parts fit. The parts that go together have the same numbers written next to the predrilled holes they attach to. Please take the time to align the parts with the numbers. If you are forcing a bolt in, the part may be turned around or not aligned properly. Tap the bolt all the way into the wood to set it, then add a washer and lightly tighten. Don't over tighten or you will crush the redwood.

Step 1: Place the bench top upside down on a soft surface. Match the leg number to the side of the bench top and attach with two carriage bolts per leg. Align the predrilled holes; lightly tap the 2 bolts in. The bolts should tap into their holes. If you have to force a bolt, the leg is probably not oriented properly, is in the wrong hole or it is turned around. Make sure the bolts are tapped all the way into the wood, then add washers and nuts and tighten with a ½-inch ratchet. Do not over tighten or you'll crush the redwood and weaken the table's structure.



Step 2: Attach base support to both legs with 2 carriage bolts, washers and nuts per leg. Make sure that the numbers written next to the predrilled holes match.



Thank you! If you have any questions, please call or email us.