

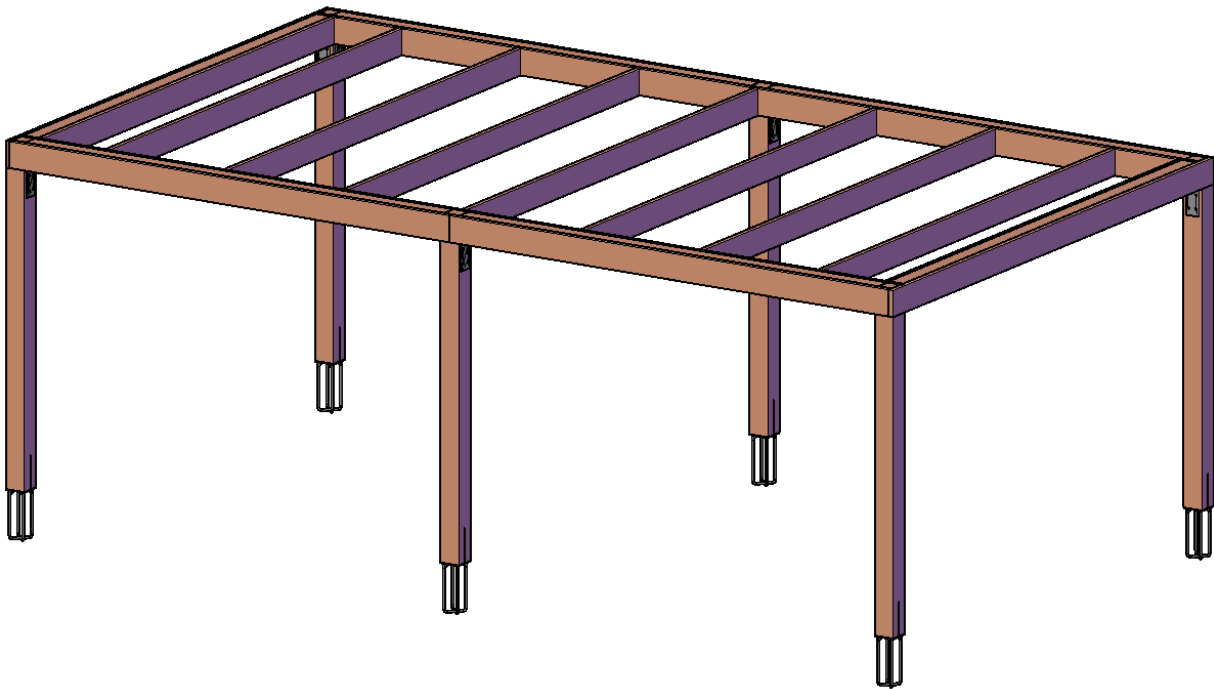


FOREVER I REDWOOD

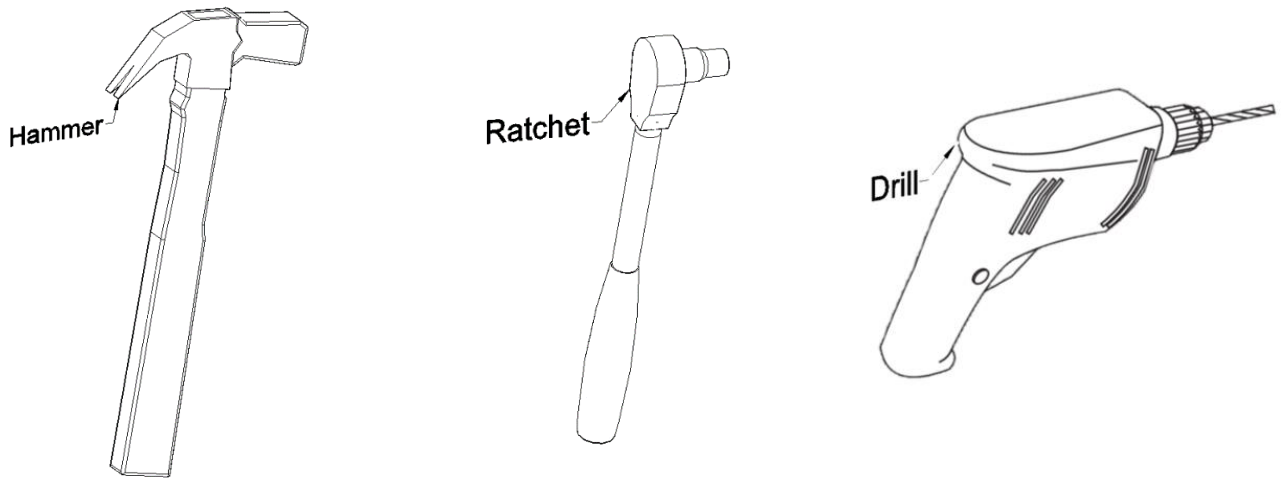
From the Forest, For the Forest since 1995

866.332.2403 (TOLL FREE) (707) 640.29.05 (Option 4) Direct Line for the Design Department; 7am – 7pm Pacific Time, Monday-Saturday.

ASSEMBLY INSTRUCTIONS FOR THE THE SUN PERGOLA WITHOUT RAINGUARD

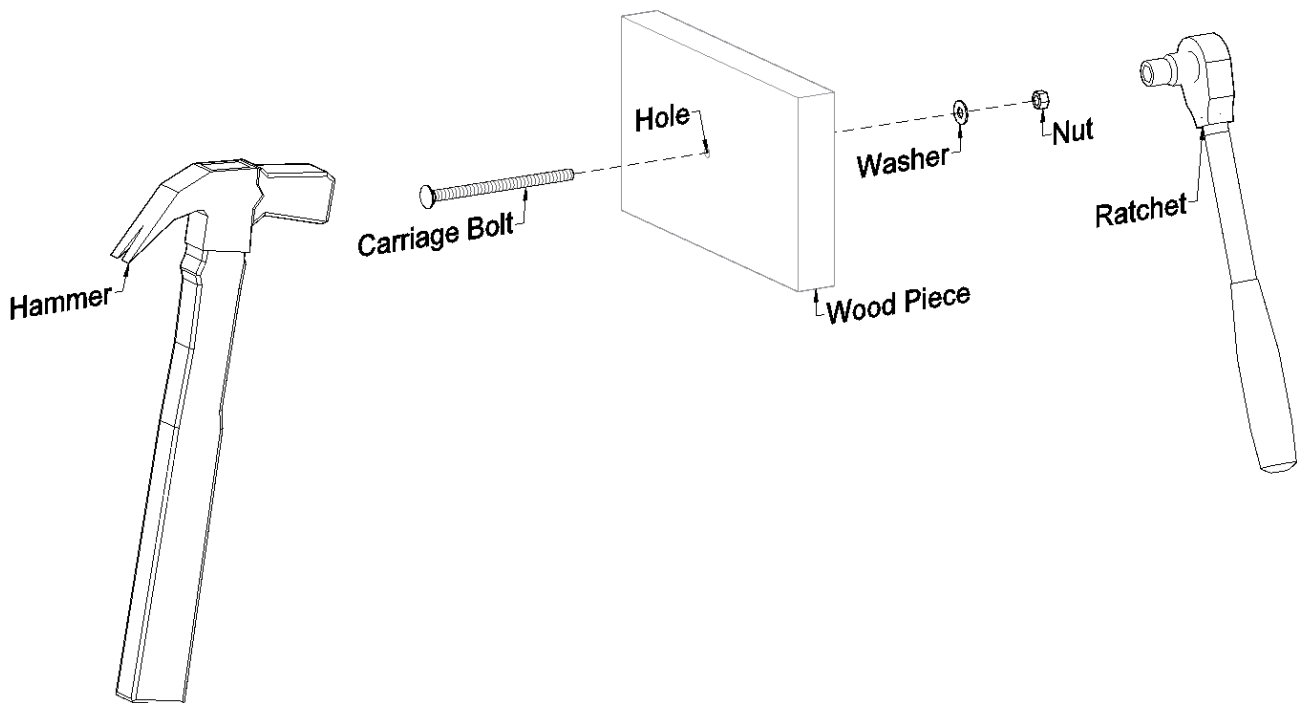


NOTE: Assembly is best done by two people. To assemble your product, you need a Hammer, a Ratch or a wrench and if required a Drill.



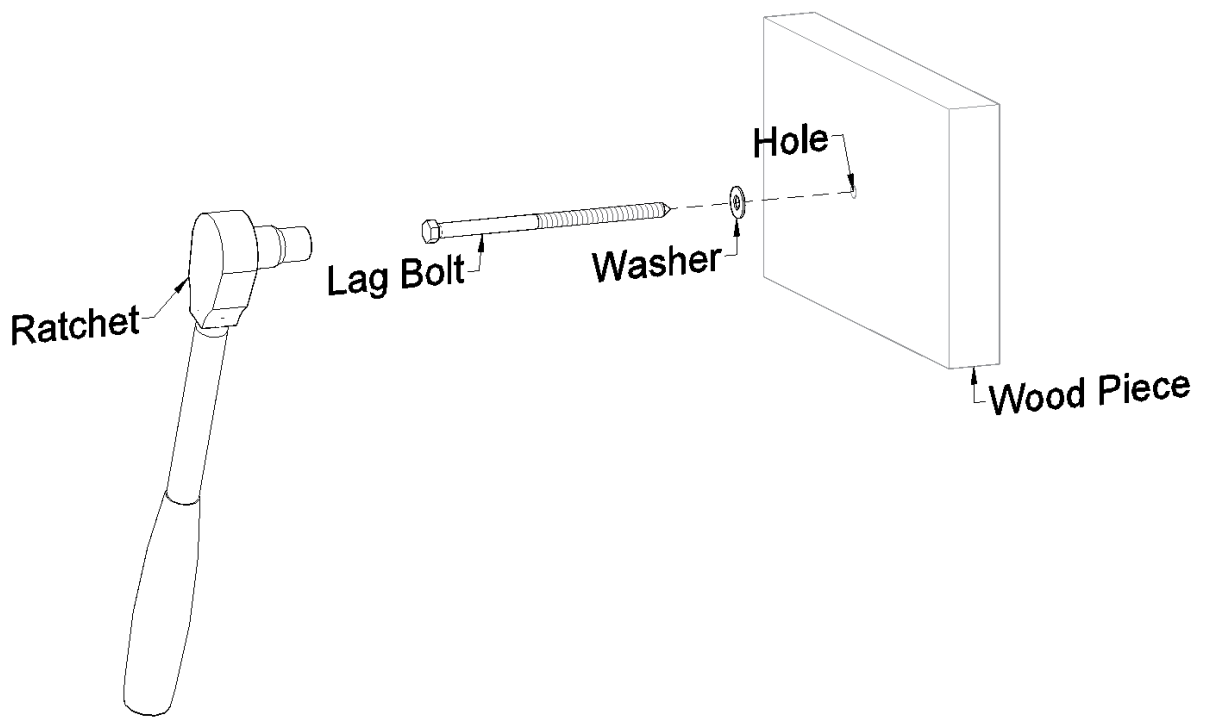
Required Tools (Are not included in your hardware packing).

PROCESS TO INSTALL THE HARDWARE PROVIDED.



To install the bolts.

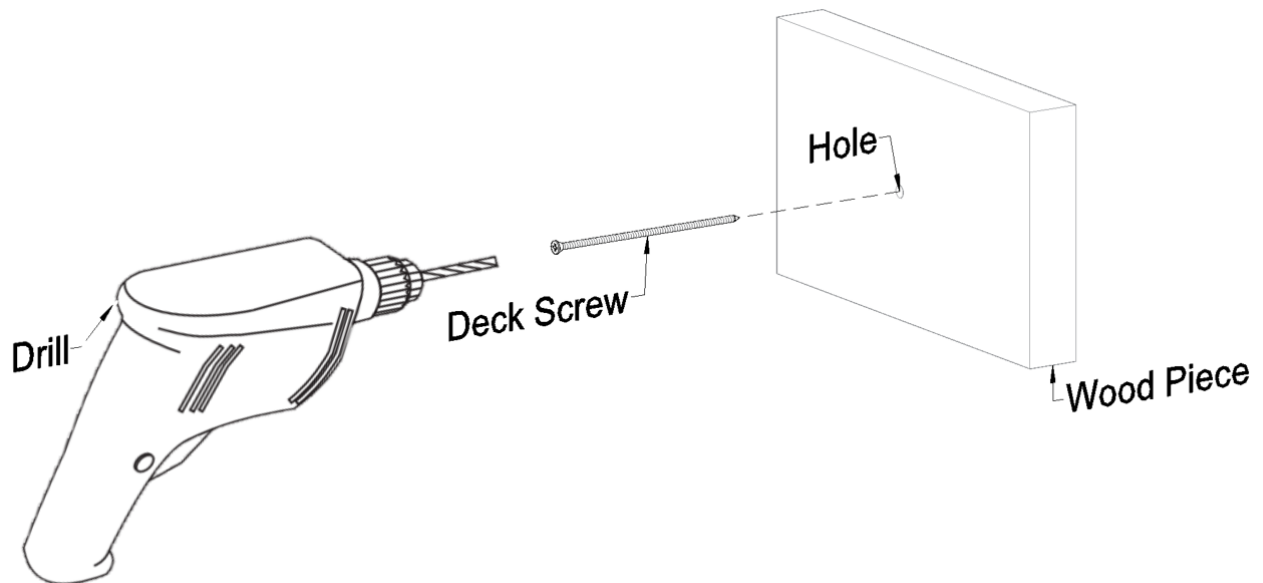
Insert the carriage bolts into the holes and lightly tap with a hammer until the square neck fit in the wood piece and the bolt head must flush with the wood piece. Finally, place the washer and the nut and carefully tighten it using a ratchet with the necessary socket or a wrench.



To install the lag bolts.









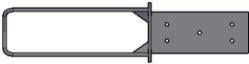
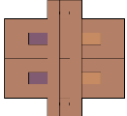
Place the washers in their lag bolts. After that, insert the lag bolts into the holes and carefully tighten it using a **ratchet** with the necessary **socket**.

Use the washers only for the Wood Pieces.













To install the deck screws.


Insert the deck screws into the holes and carefully tighten it using a drill.

CONTENT OF BOXES			
Qty.	Description	Drawing	No.
6	Posts		1
4	Single Supports-A		2
4	Supports with in-between blocking-A		3
2	Single Supports-B		4
2	Supports with in-between blocking-B		5
7	Central Supports		6
6	In-Between Blocking cover		7
12	L-plaques		8
6	Custom Anchor Bases		9
1	ceiling fan bases		10

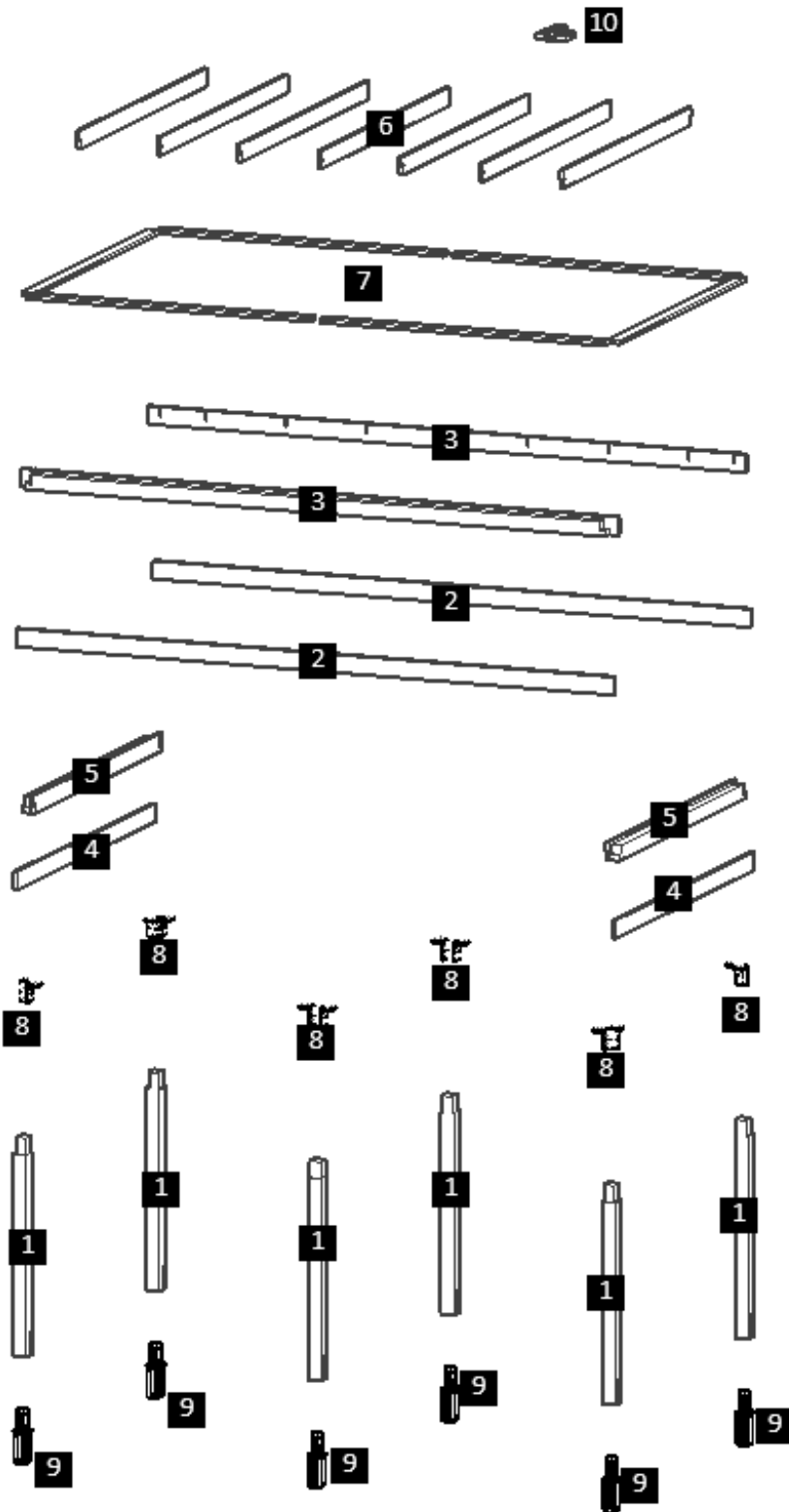
Note: Part numbers in the Content of Boxes Table are for reference only. These do not match to the numbers marked on the parts sent.

HARDWARE LIST

Qty.	Description	Drawing	No.
30	½" x 8" bolts		BL1
16	½" x 8 ¾" bolts		BL2
4	½" x 9" bolts		BL3
2	3/8" x 5" bolts		BL4
36	½" x 12" lag bolts		LB1
16	½" X 4" Lag Bolts		LB2
84	3/8" X 3 ½" Lag Bolts		LB3
15	3" Deck Screws		DS1
700	2 ½" Deck Screws		DS2
200	1 ¼" Deck Screws		DS3



DESCRIPTION	No.
Posts	1
Single Supports-A	2
Supports with in-between blocking-A	3
Single Supports-B	4
Supports with in-between blocking-B	5
Central Supports	6
In-Between Blocking cover	7
L-plaques	8
Custom anchor bases	9
Ceiling fan base	10

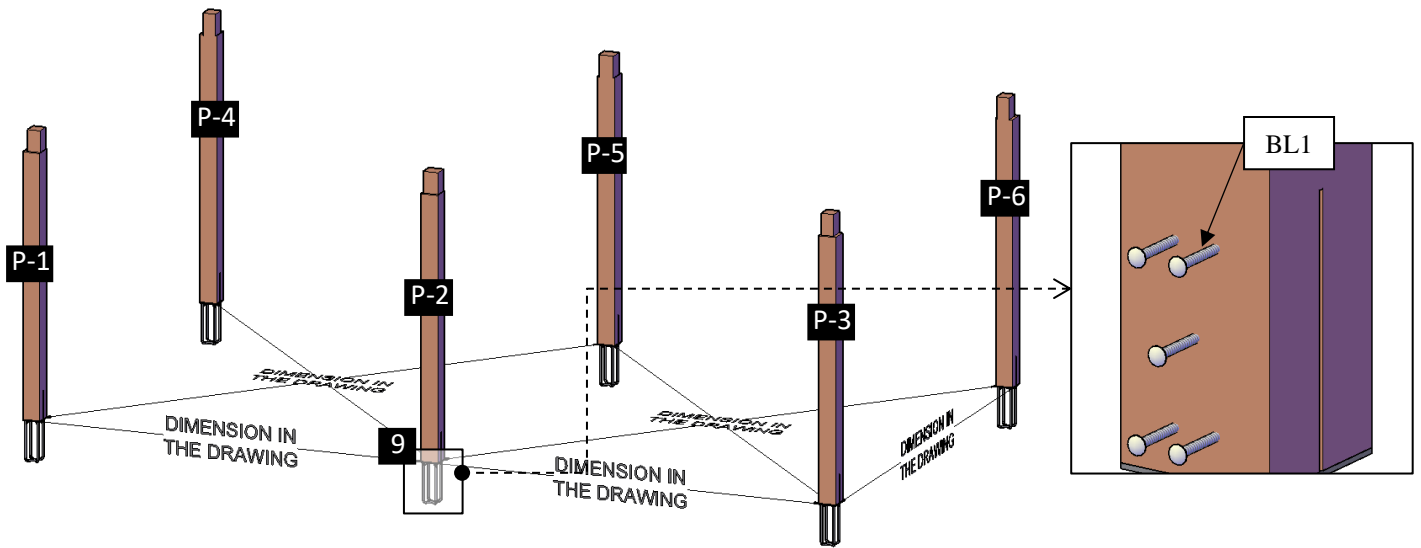


Note: Part numbers in the Drawing are for reference only. These do not match to the numbers marked on the parts sent.

NOTE: In order to know where the post needs to be placed, check the numbers on them. If the post is not marked, then place the single Supports on the ground to locate the markings for each post position and clearly set your bearings. (“Don’t attach yet, only place them on the ground to begin with”).

Note: Before install the anchor bases make sure that the ground is level using a carpenter's level or hydro-level (water level).

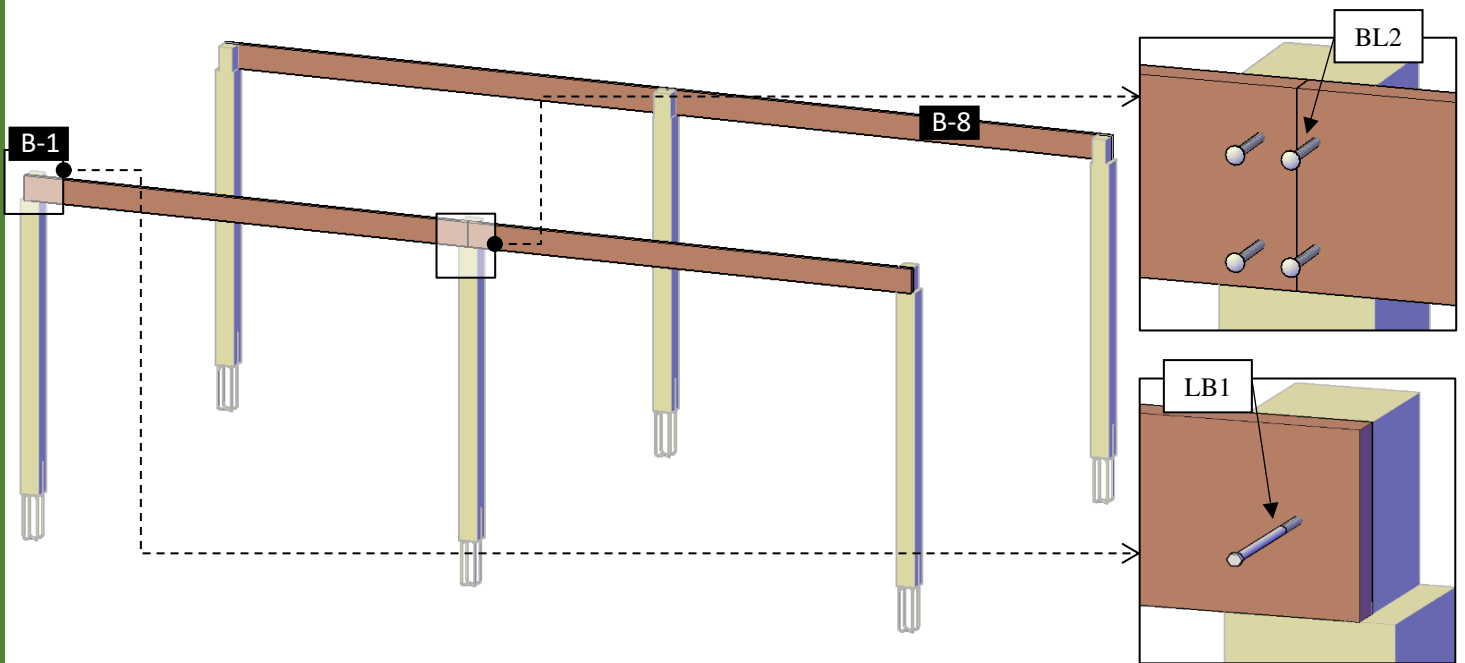
Step 1: Install the custom anchor bases (9). Please see the “How to anchor your pergola document” for all details. Set your post (1) in the saddle of the anchor bases. Drill a $\phi 1/4''$ hole prior to anchoring in each post to facilitate the ratcheting of the hardware. After that, use a $1/2'' \times 8''$ bolts (BL1) to attach each post to the anchor bases (14).



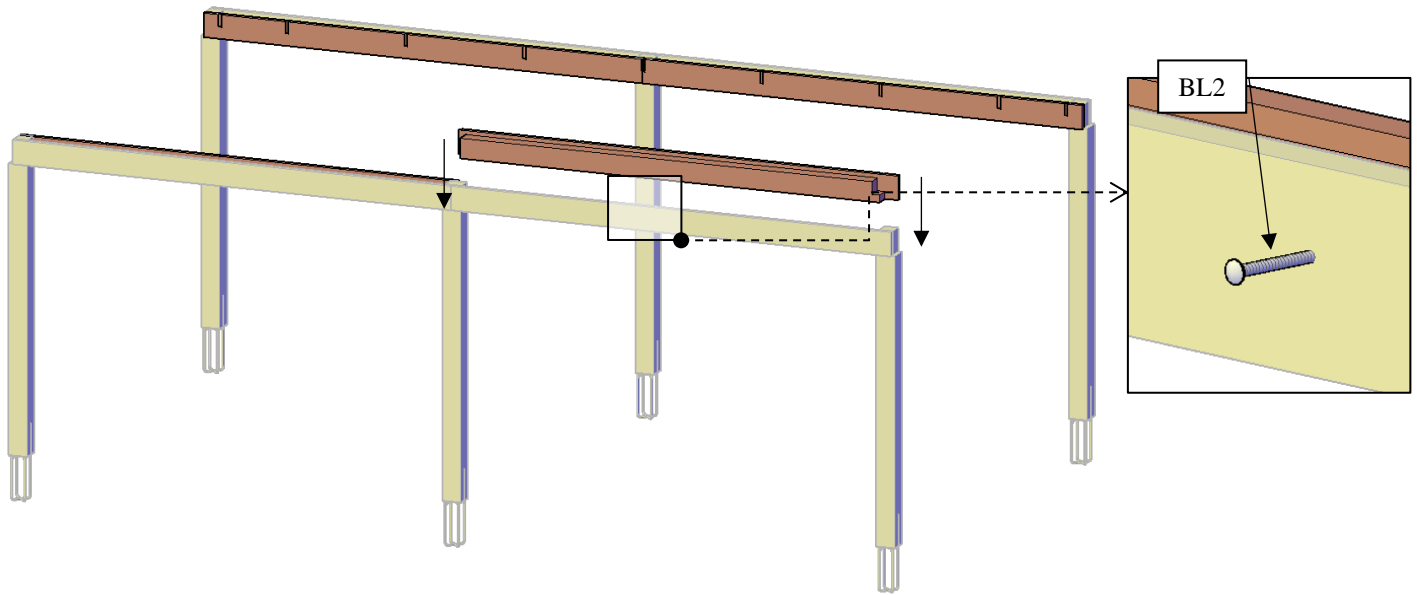
Step 2: Attach the single supports-A (2) to the corner posts with $3/8'' \times 12''$ lag bolts (LB1) and to the central posts with $1/2'' \times 8''$ bolts (BL2) with washer and nuts. Check the marked numbers on each support and place as drawings shown.

Note: Don't completely tighten yet the bolts and lag bolts— you will need the install the supports with in between blocking first.

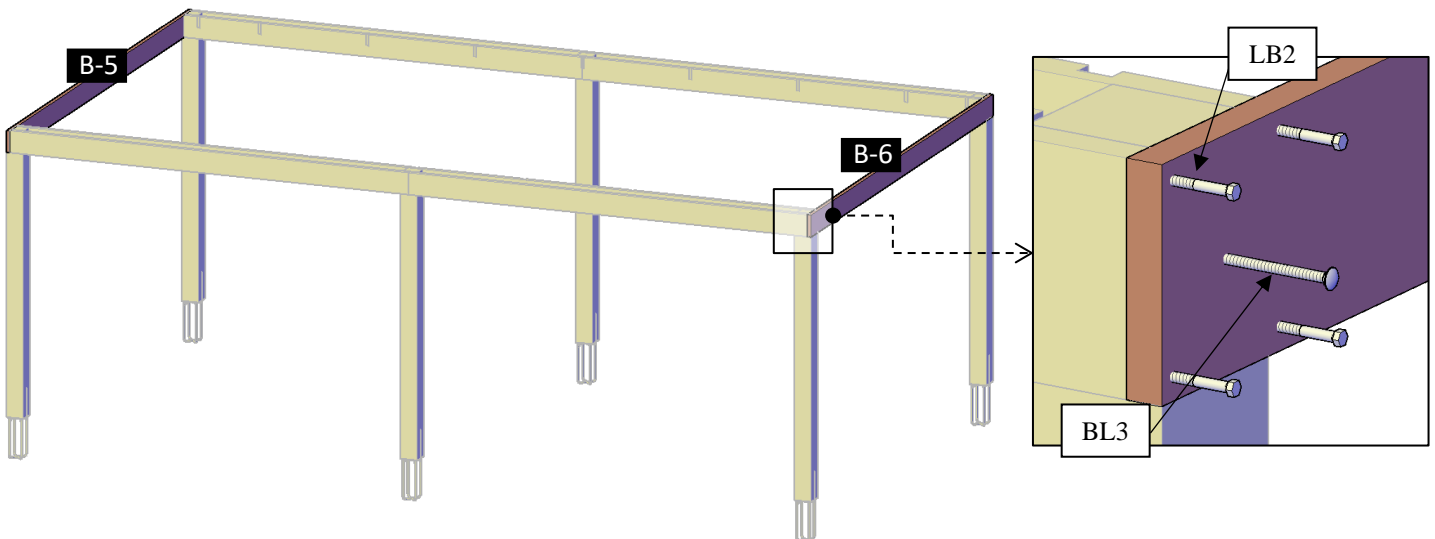
Note: drill the perimeter posts with the $1/2'' \times 12''$ bit.



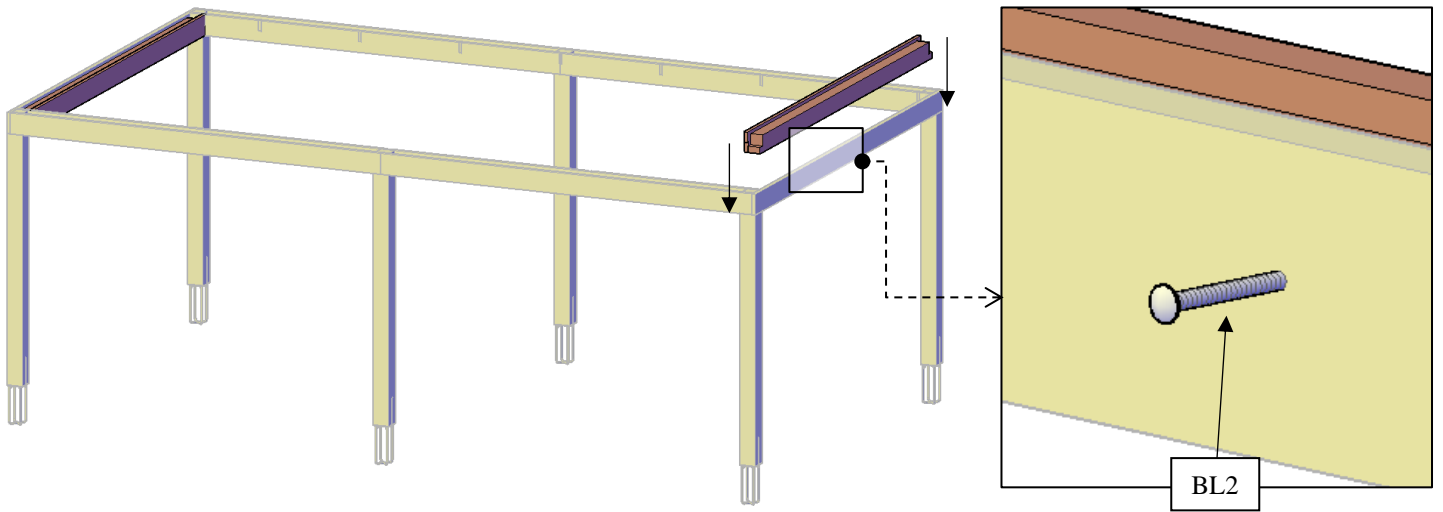
Step 3: Attach the supports to the supports with in-between blocking-A (3), use 1/2" x 8 3/4" bolts (BL2) with washer and nuts. After that, return to the bolts described in the step 2 and tighten fully. Check the marked numbers on each support with in-between blocking and place as drawings shown.



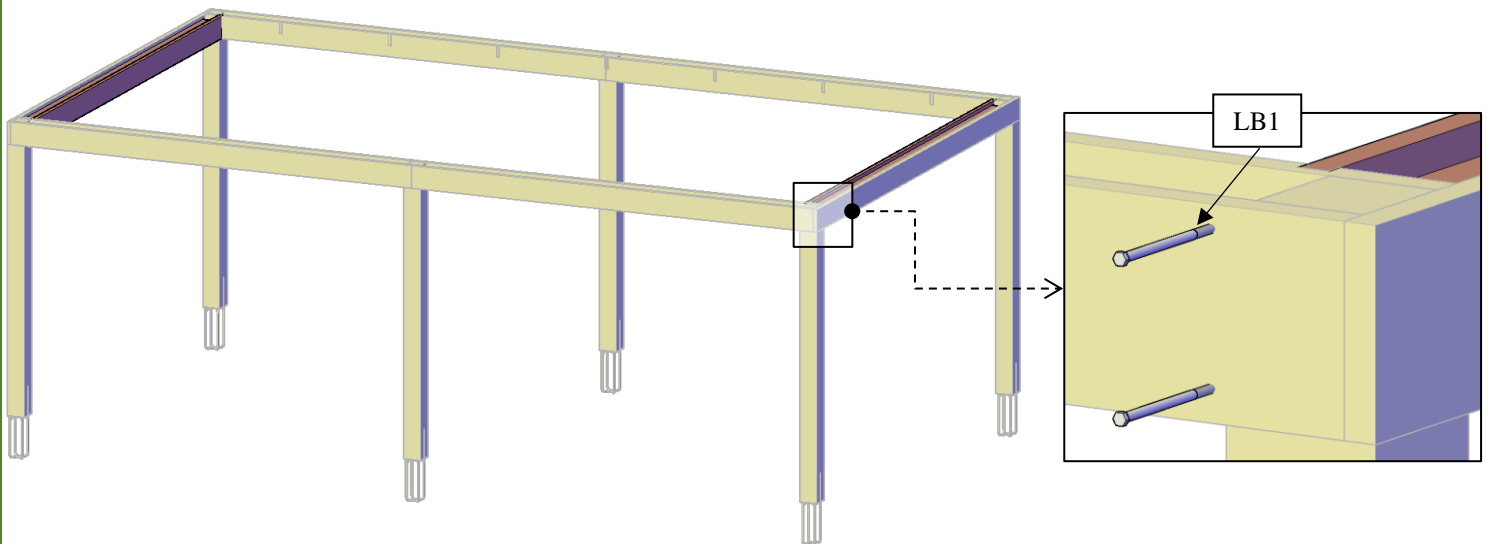
Step 4: Attach the single supports-B (4) to the posts with 1/2" x 9" bolts (BL3) and use 1/2" X 4" Lag Bolts (LB2) to attach the supports together. Check the marked numbers on each support and place as drawings shown.



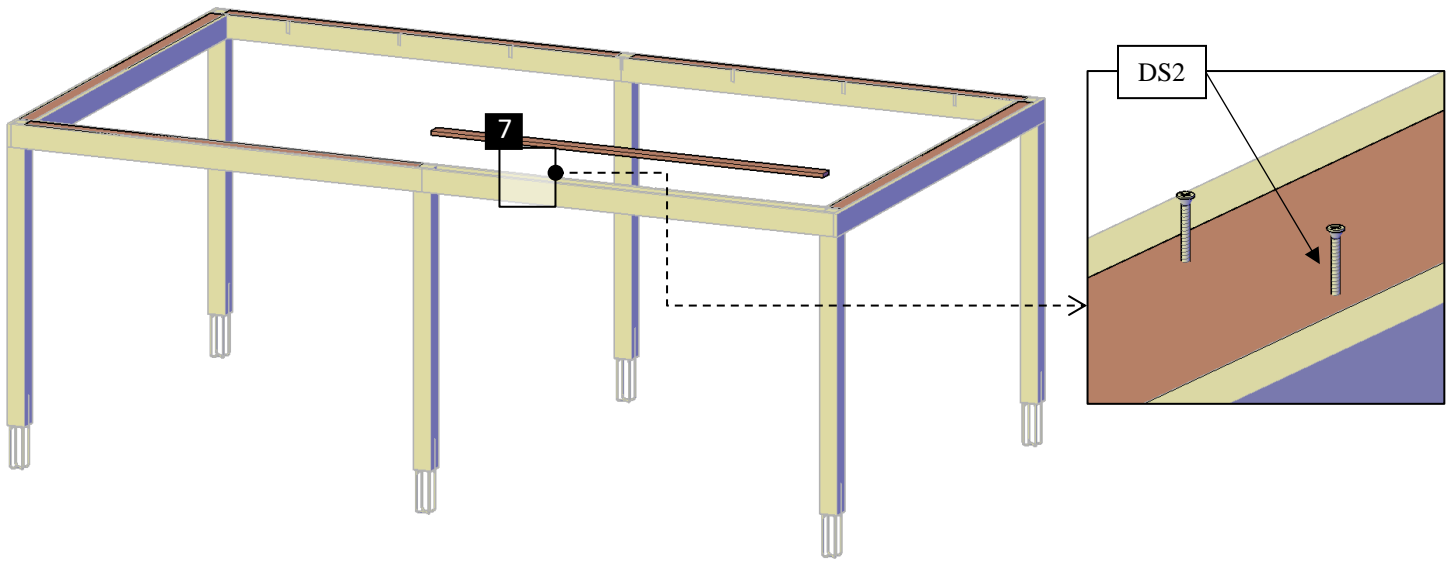
Step 5: Attach the supports with in-between blocking-B (5) with 1/2" x 8 3/4" bolts (BL2) with washer and nuts. Check the marked numbers on each support with in-between blocking and place as drawings shown.



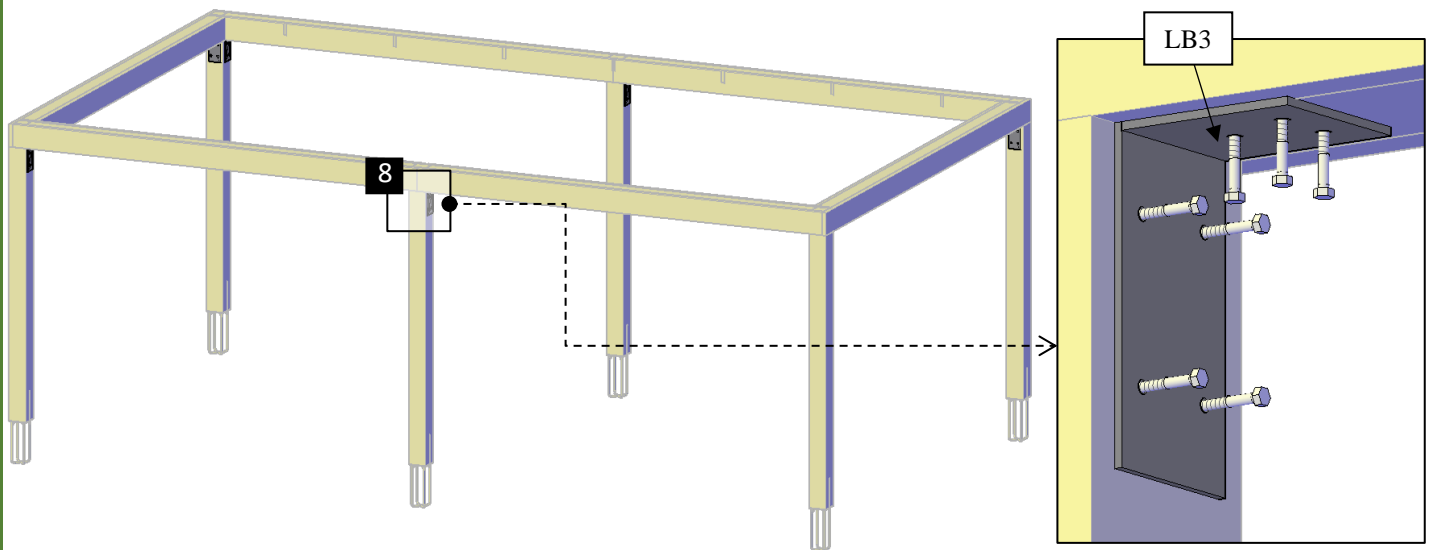
Step 6: Attach the supports together with 1/2" X 12" Lag Bolts (LB1).



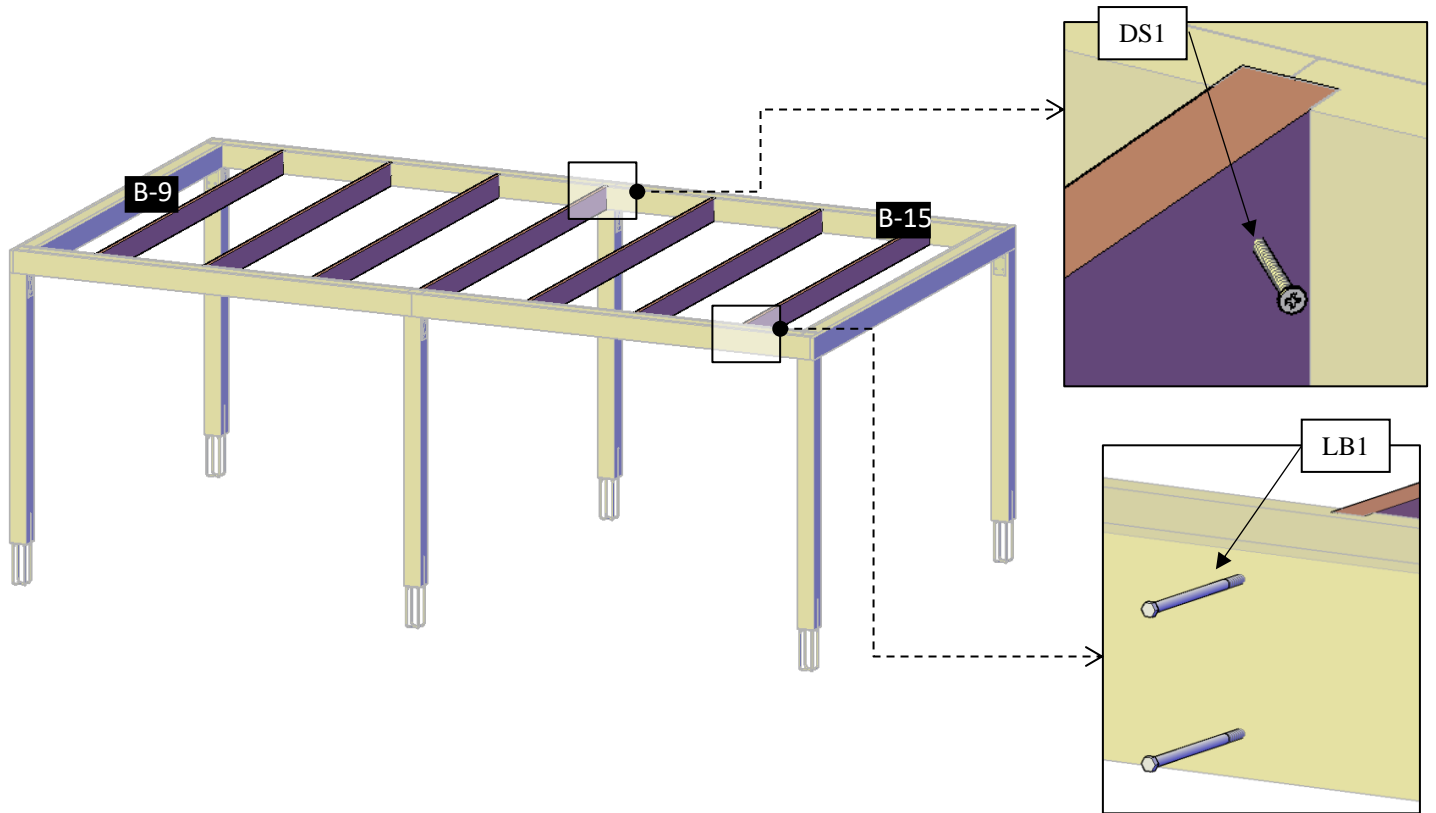
Step 7: Use 2 ½” Deck Screws (DS2) to attach the in-between covers (7) to the supports with in-between.



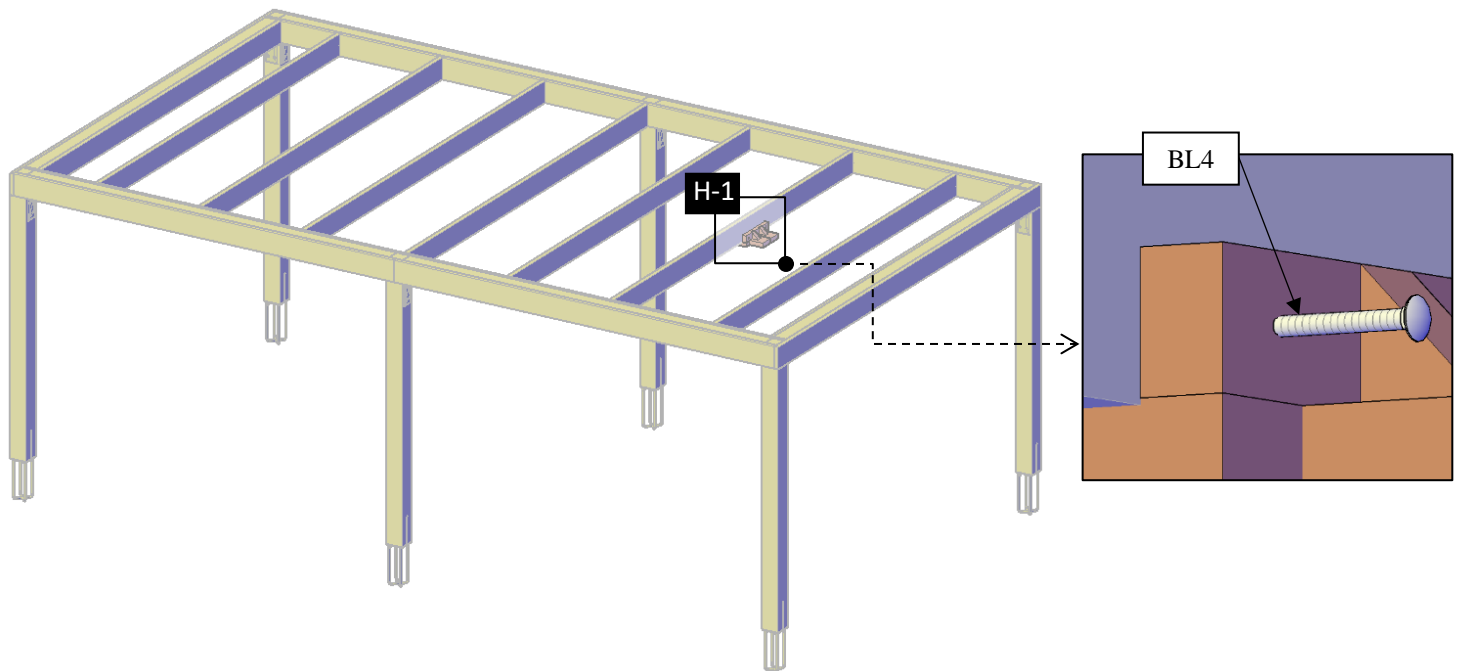
Step 8: Use 3/8” X 3 ½” Lag Bolts (LB3) to attach the L-plaques (8) to the supports and to the post.

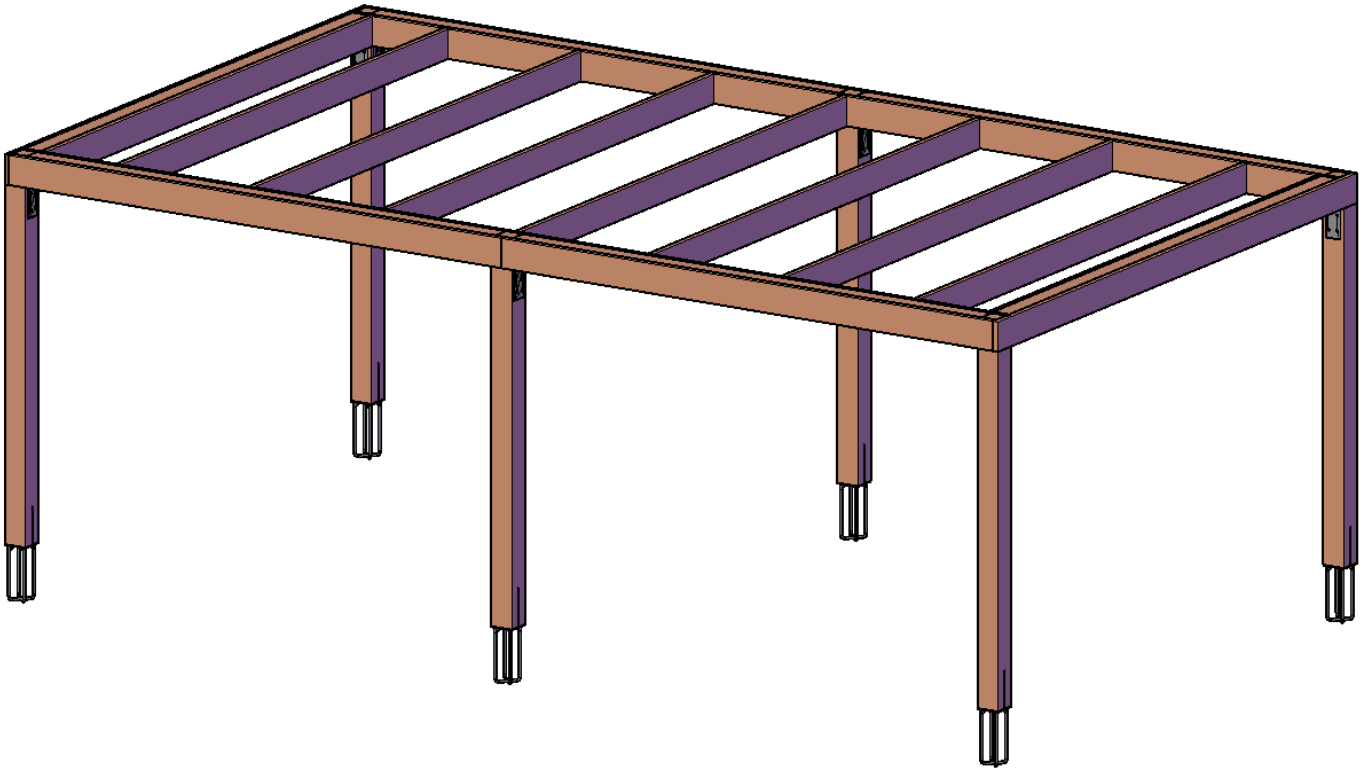


Step 9: Use 3/8" X 12" Lag Bolts (**LB2**) and 3" deck screws (**DS1**) to attach the central supports (**6**) to the supports. Check the marked number on each central supports and place as drawings shown.



Step 10: Finally, use 3/8" x 5" bolts (**BL4**) to attach the ceiling fan base (**10**) to the central supports (**6**). check the marked numbers on each central support and place as drawings shown.





This completes the Pergola assembly. Hope you enjoy your set for many decades. If you ever have a problem or a question, don't hesitate to call us (866 332 2403) or email us. We are here to support you.