



FOREVER REDWOOD

From the Forest, For the Forest since 1995

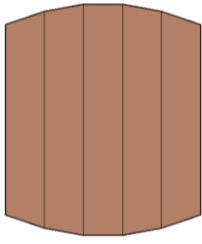
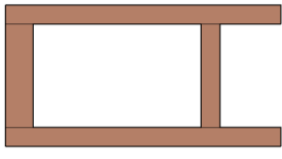
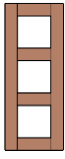
866.332.2403 (TOLL FREE); 7am – 7pm Pacific Time, Monday-Saturday

ASSEMBLY INSTRUCTIONS FOR **THE TETE-A-TETE OUTDOOR WOOD COCKTAIL & BAR STOOL SET**





CONTENT OF BOXES

Qty.	Description	Drawing	No.
1	Tabletop		1
2	Legs		2
1	Support Base		3

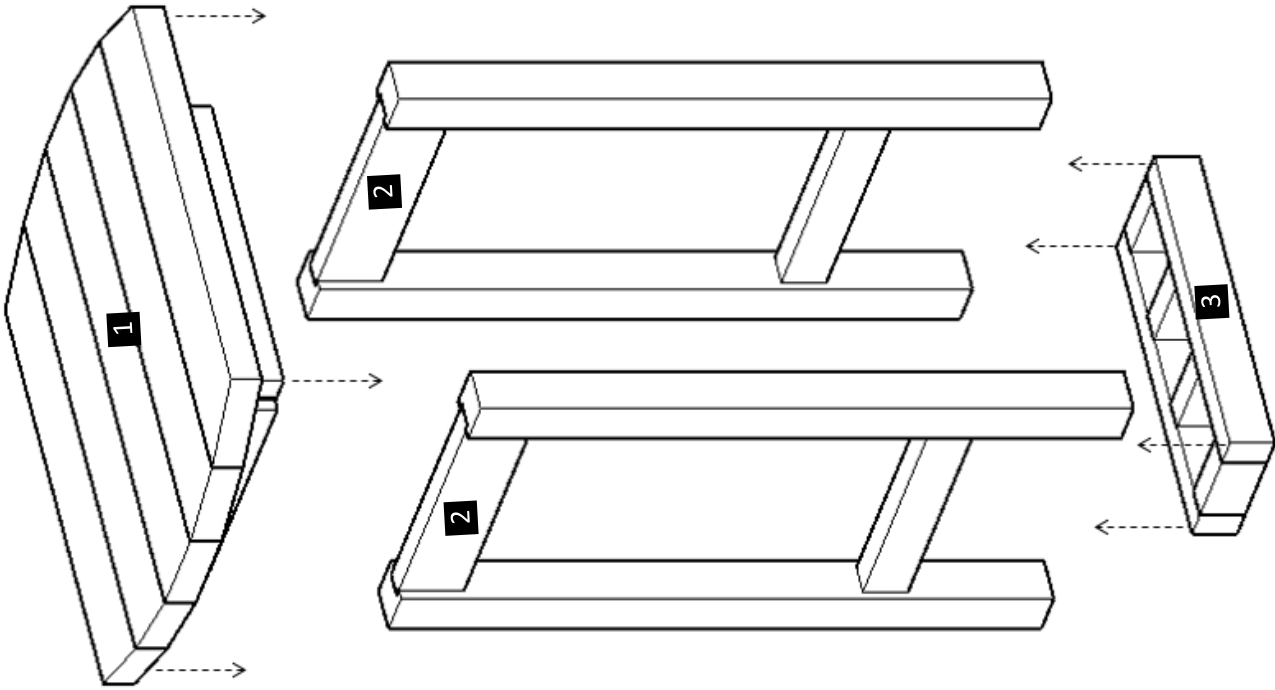
Note: Dimensions of your hardware will vary depending on size.

HARDWARE LIST

Description	Drawing	No.
5/16" X 4" Bolts (To attach the tabletop and the support base to the legs).		A
3" Deck Screws (To attach the tabletop to the legs).		B

Note: Part numbers in the Content of Boxes Table are for reference only. These do not match to the numbers marked on the parts sent.

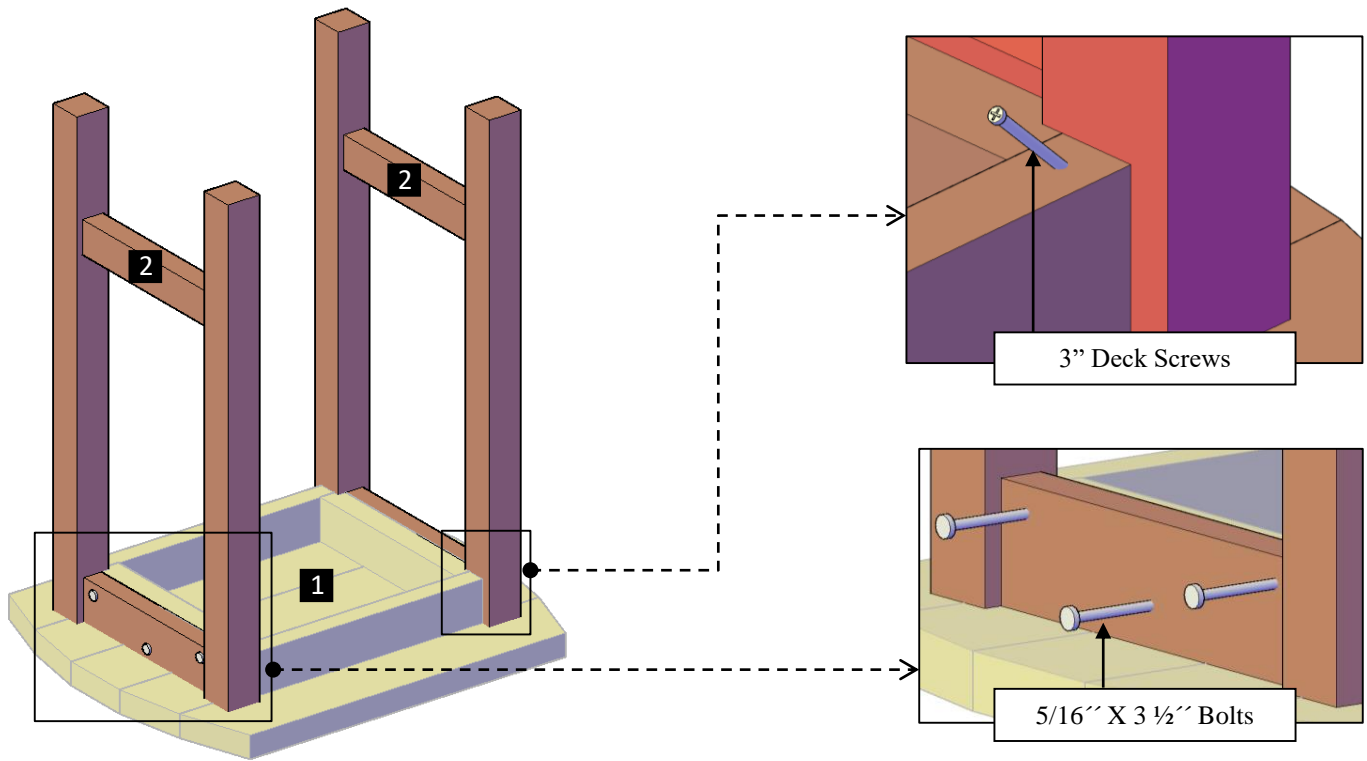




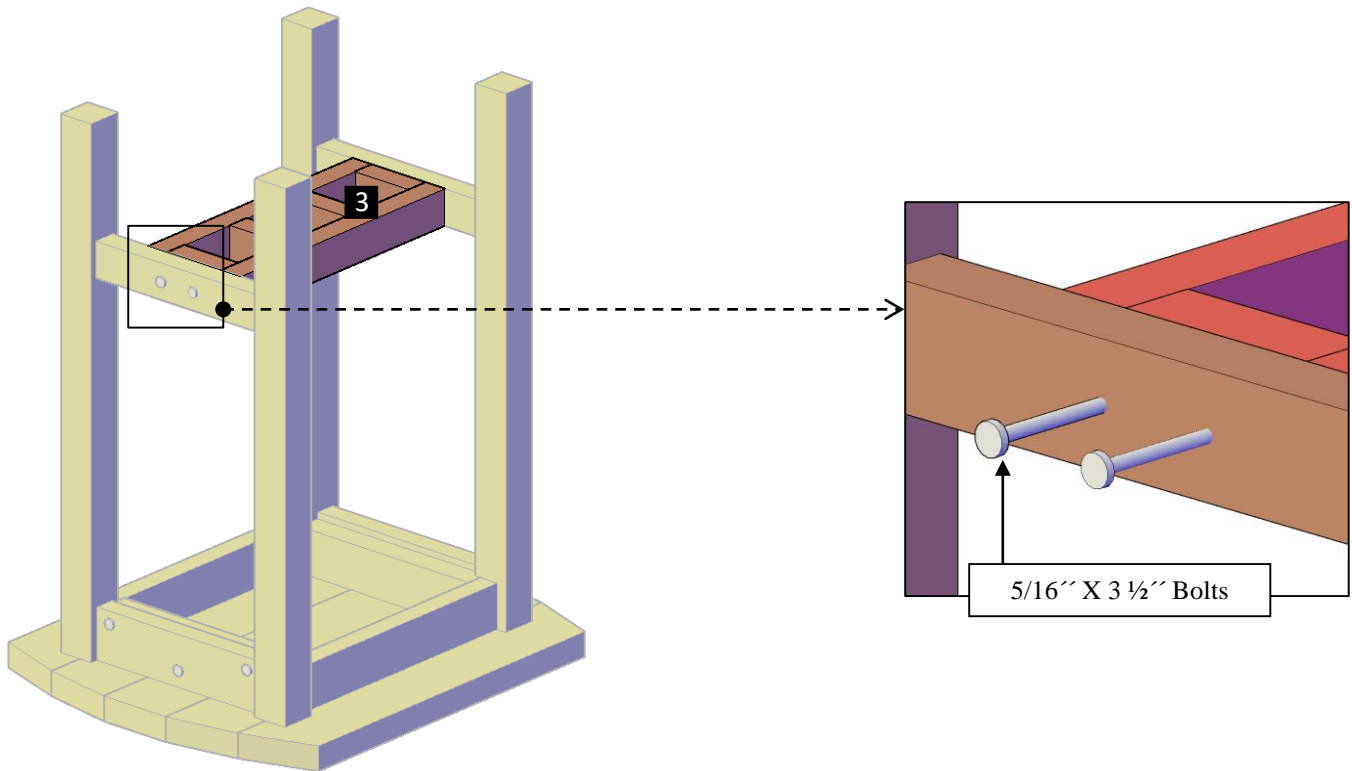
DESCRIPTION	No
Tabletop	1
Legs	2
Support Base	3

Note: Part numbers in the Drawing are for reference only. These do not match to the numbers marked on the parts sent.

Step 1: Place the tabletop upside down. After that, use 5/16" x 3 1/2" bolts (A) and 3" deck screws (B) to attach the legs (2) to the tabletop (1). Each part has a series of numbers that indicate where to attach the part with the corresponding number.



Step 2: Attach the support base (3) to the legs with 5/16" x 3 1/2" bolts (A). Each part has a series of numbers that indicate where to attach the part with the corresponding number.



Step 3: Turn the tabletop over is feet.



This completes the Table Assembly. Hope you enjoy your set for many decades. If you ever have a problem or a question, don't hesitate to call us (866 332 2403) or email us. We are here to support you.