



# FOREVER REDWOOD

*From the Forest, For the Forest since 1995*

---

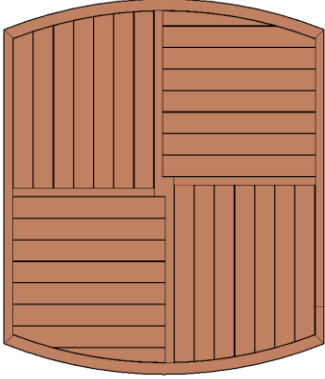
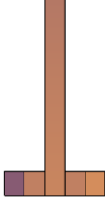
866.332.2403 (TOLL FREE); 7am – 7pm Pacific Time, Monday-Saturday

## ASSEMBLY INSTRUCTIONS FOR THE VERA'S CUSTOM WOOD SIDE TABLE



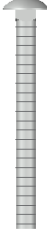
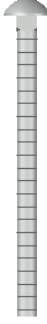


**CONTENT OF BOXES**

Qty.	Description	Drawing	No.
1	Tabletop		1
4	Legs		2

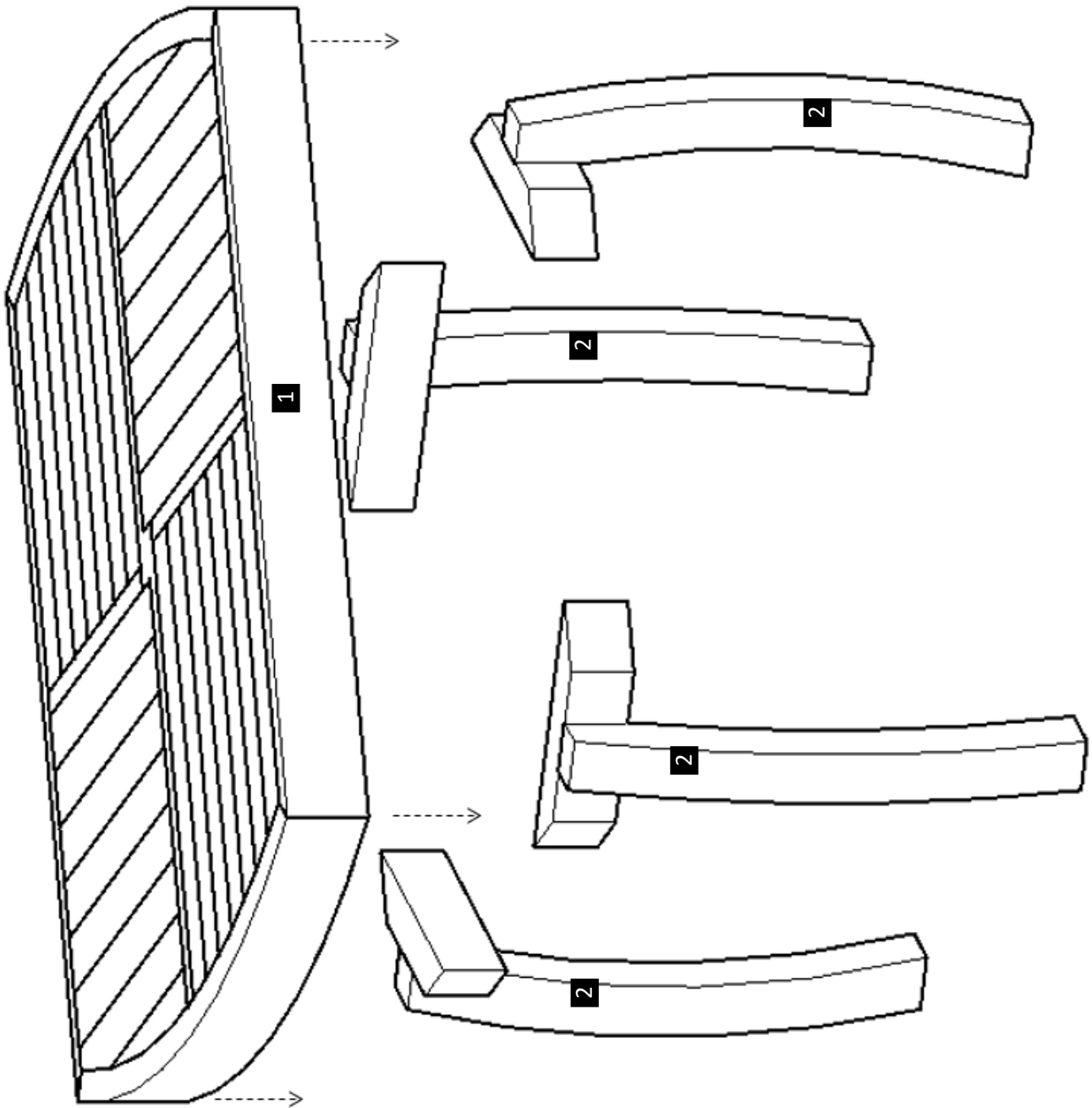
*Note: Dimensions of your hardware will vary depending on size.*

**HARDWARE LIST**

Description	Drawing	No.
5/16" X 3 1/2" Bolts (To attach the tabletop flat side to the legs).		A
5/16" X 5 1/2" Bolts (To attach the tabletop rounded side to the legs).		B

*Note: Part numbers in the Content of Boxes Table are for reference only. These do not match to the numbers marked on the parts sent.*

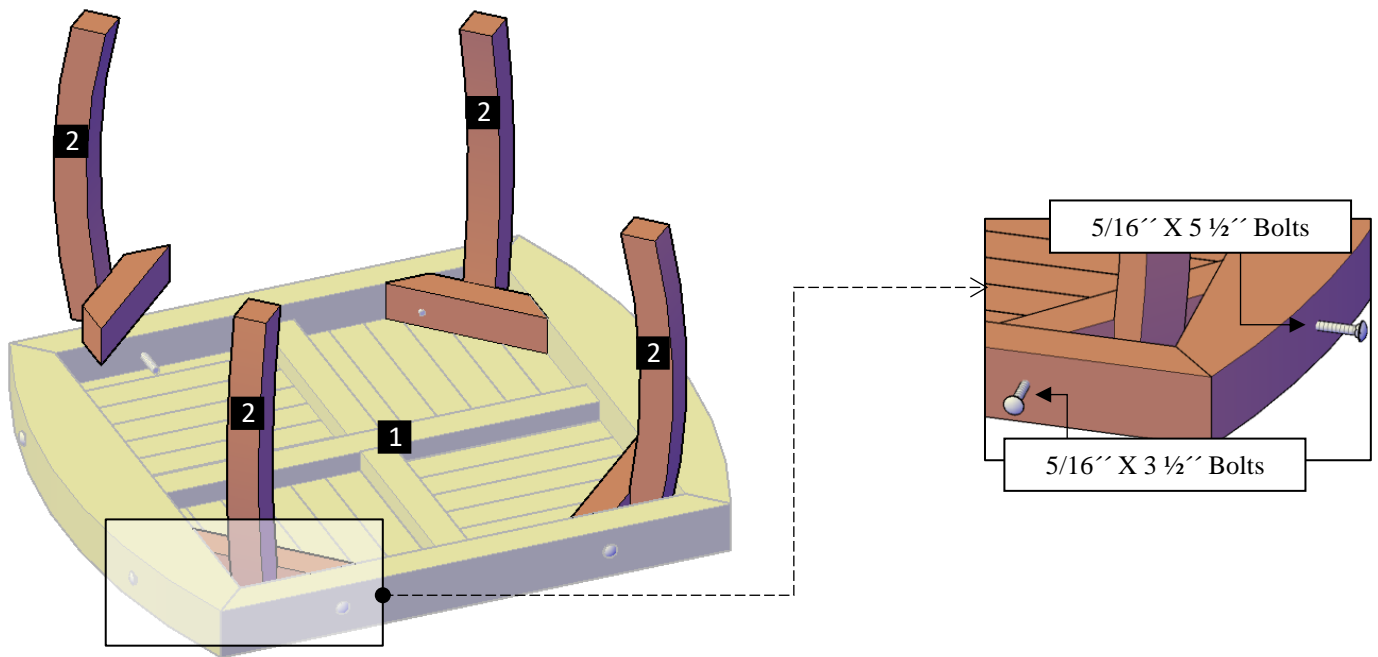




DESCRIPTION	No
Tabletop	1
Legs	2

*Note: Part numbers in the Drawing are for reference only. These do not match to the numbers marked on the parts sent.*

**Step 1:** Place the tabletop upside down. After that, use 5/16" x 3 1/2" bolts (A) and 5/16" X 5 1/2" bolts (B) to attach the legs (2) to the tabletop (1). Each part has a series of numbers that indicate where to attach the part with the corresponding number.



**Step 2:** Finally, turn the table over its feet.



*This completes the Table Assembly. Hope you enjoy your set for many decades. If you ever have a problem or a question, don't hesitate to call us (866 332 2403) or email us. We are here to support you.*