



FOREVER REDWOOD

From the Forest, For the Forest since 1995

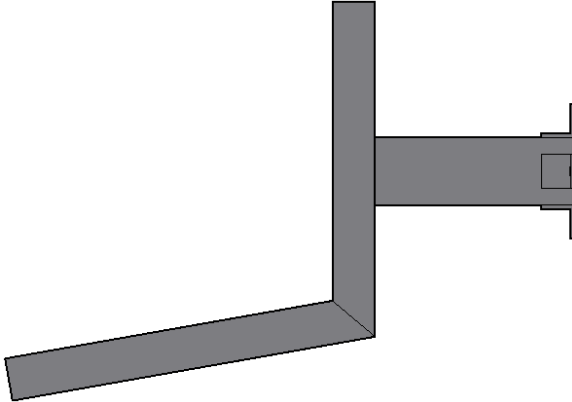

866.332.2403 (TOLL FREE); 7am – 7pm Pacific Time, Monday-Saturday

ASSEMBLY INSTRUCTIONS FOR THE **VETERANS WOOD BENCH**




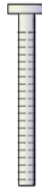


CONTENT OF BOXES

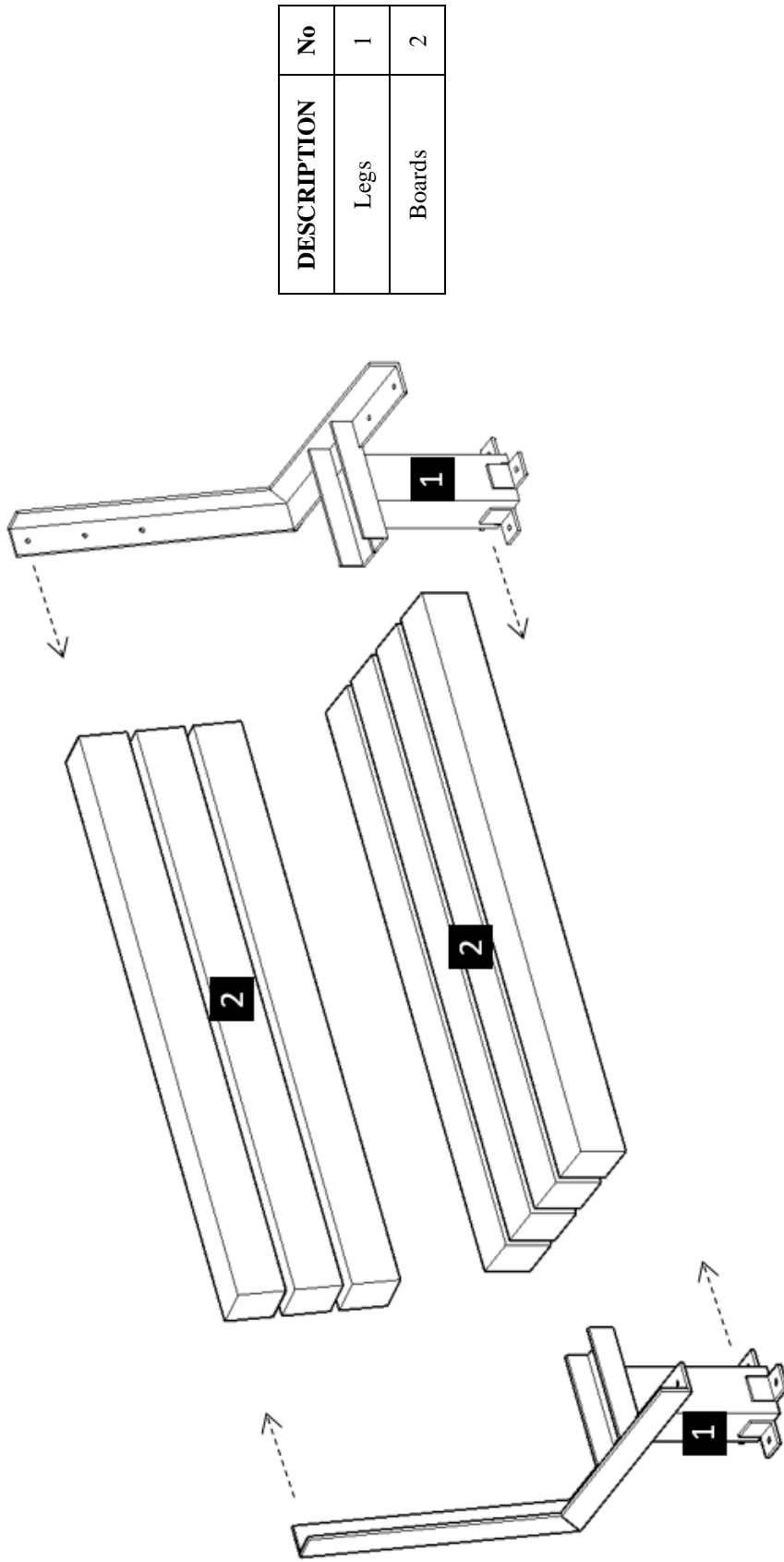
Qty.	Description	Drawing	No.
1	Legs		1
7	Boards		2

Note: Part numbers in the Content of Boxes Table are for reference only. These do not match to the numbers marked on the parts sent.

HARDWARE LIST

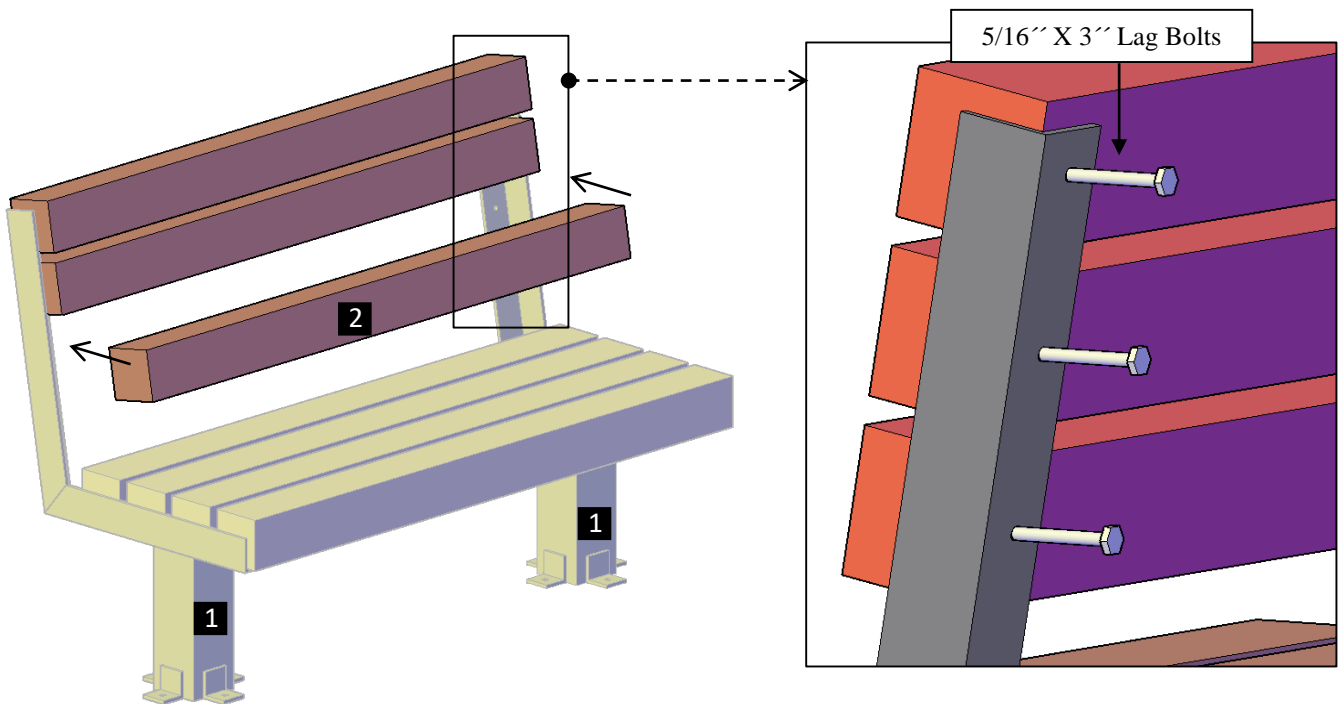
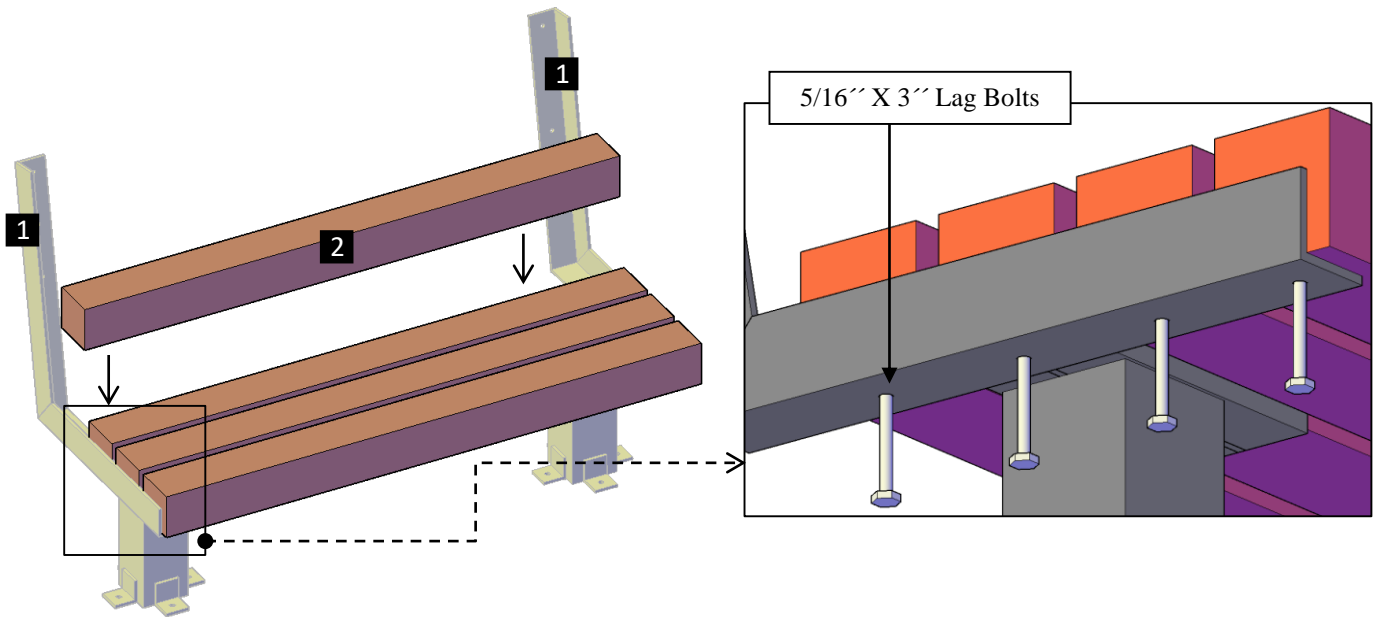
Description	Drawing	No.
3/8" X 3" Anchor Bolts (To attach the Legs to the ground)		A
5/16" X 3" Lag Bolts (To attach the boards to the legs)		B

Note: Dimensions of your hardware will vary depending on size.

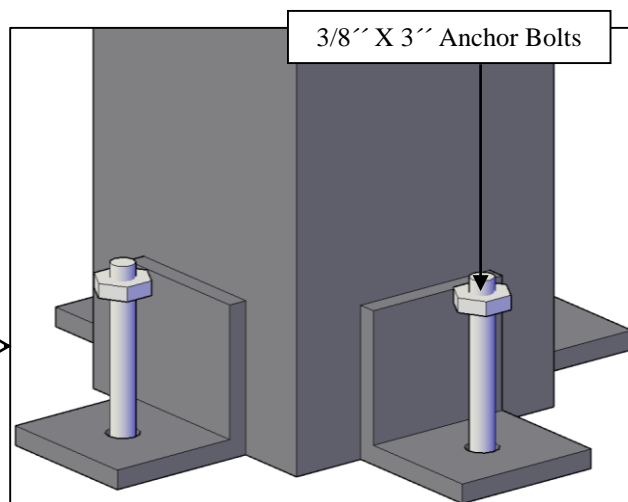
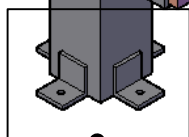
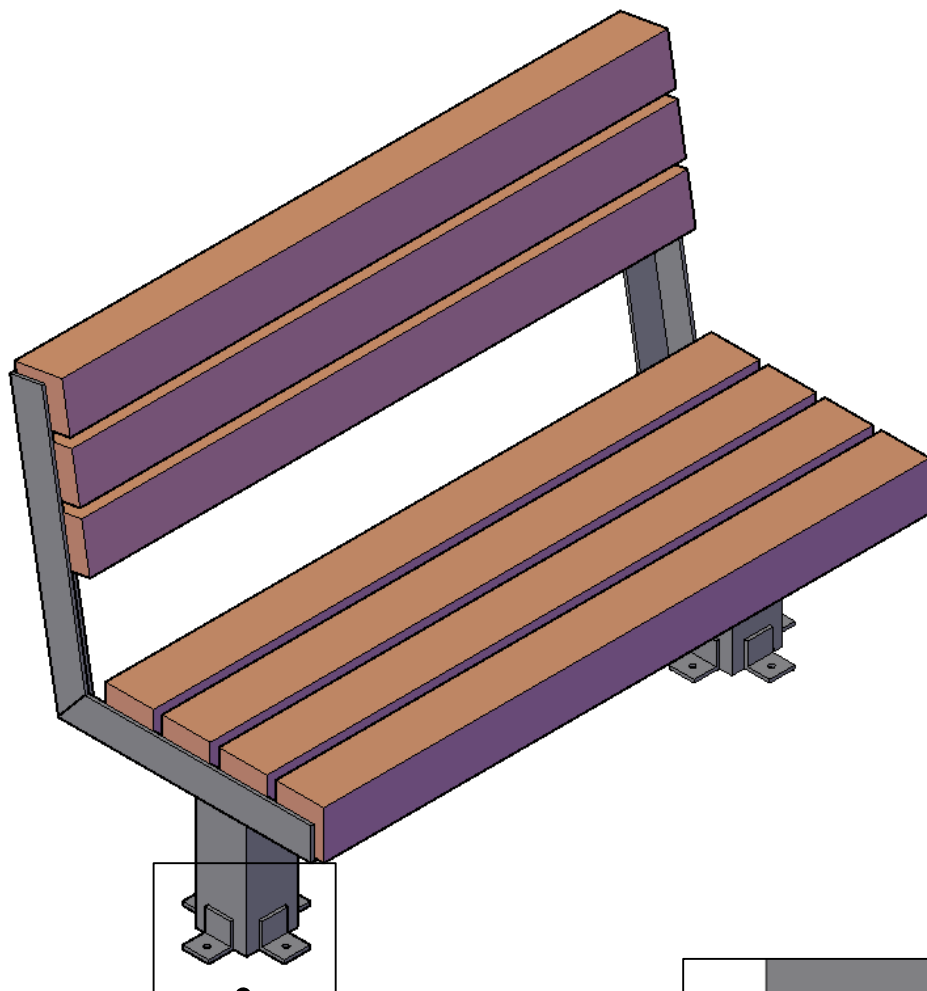


Note: Part numbers in the Drawing are for reference only. These do not match to the numbers marked on the parts sent.

Step 1: Use 5/16" x 3" lag bolts to attach the boards (2) to the legs (1). First place the seat boards. After that, place the backrest boards. Each part has a series of numbers that indicate where to attach the part with the corresponding number.



Step 2: Finally, attach bench to the ground with 3/8" x 3" anchor bolts (A)





This completes the Bench assembly. Hope you enjoy your set for many decades. If you ever have a problem or a question, don't hesitate to call us (866 332 2403) or email us. We are here to support you.