



# FOREVER I REDWOOD

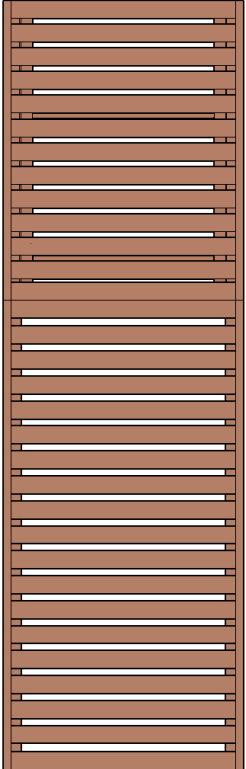
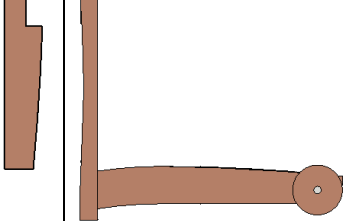
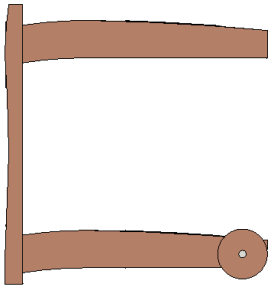

*From the Forest, For the Forest since 1995*

---

866.332.2403 (TOLL FREE); 7am – 7pm Pacific Time, Monday-Saturday

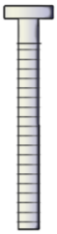
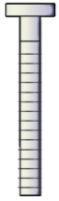
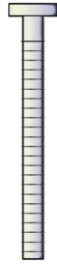
## ASSEMBLY INSTRUCTIONS FOR THE **WOOD POOL LOUNGER**



CONTENT OF BOXES			
Qty.	Description	Drawing	No.
1	Seat		1
2	Legs		2
2	Armrests		3
2	Supports		4

*Note: Part numbers in the Content of Boxes Table are for reference only. These do not match to the numbers marked on the parts sent.*

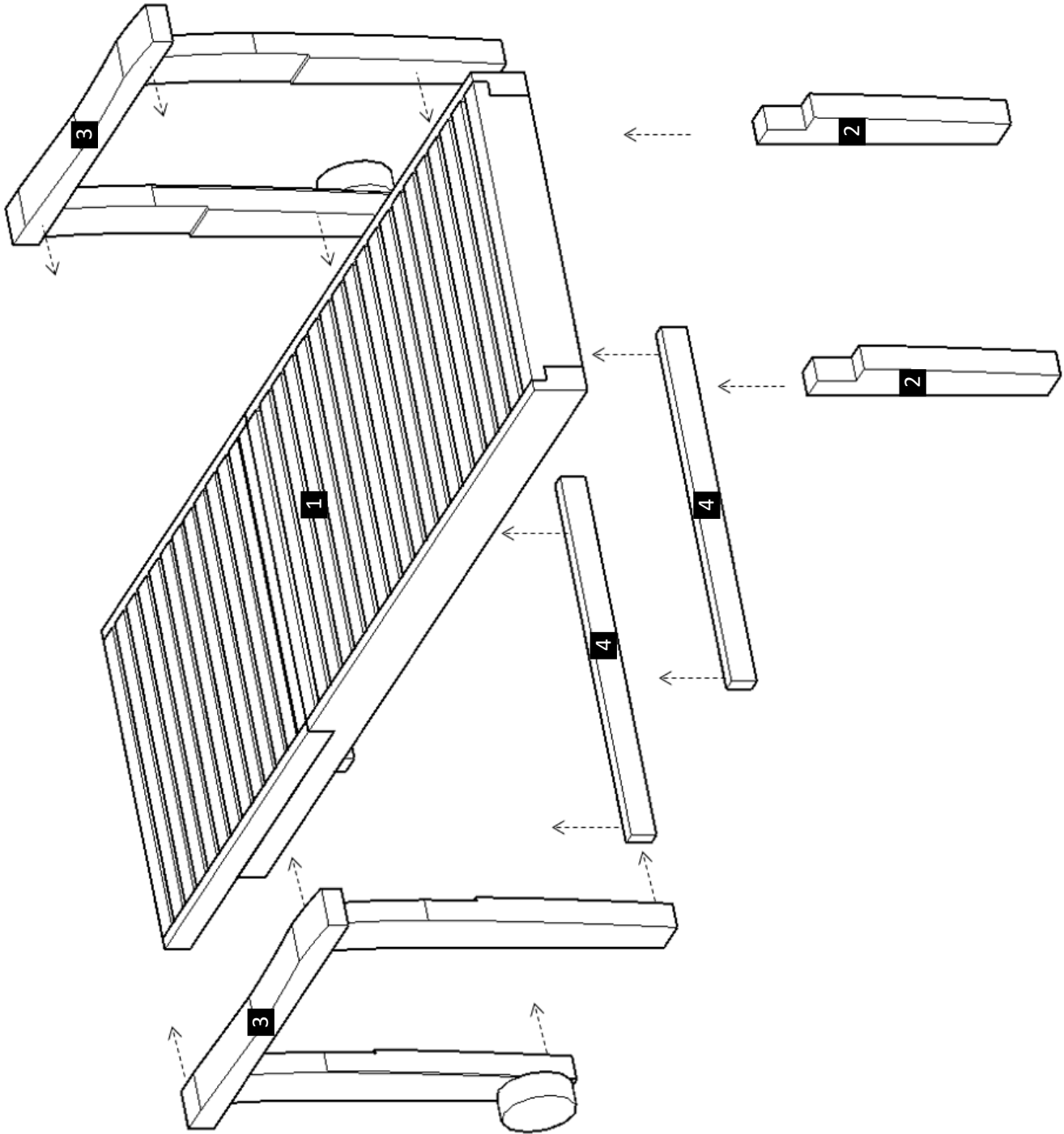


CONTENT OF BOXES		
Description	Drawing	No.
5/16" X 3 1/2" Bolts (To attach the legs to the seat).		A
5/16" X 3" Bolts (To attach the armrests to the seat).		B
5/16" X 4 1/2" Bolts (To attach the supports to the armrests).		C

*Note: Dimensions of your hardware will vary depending on size.*

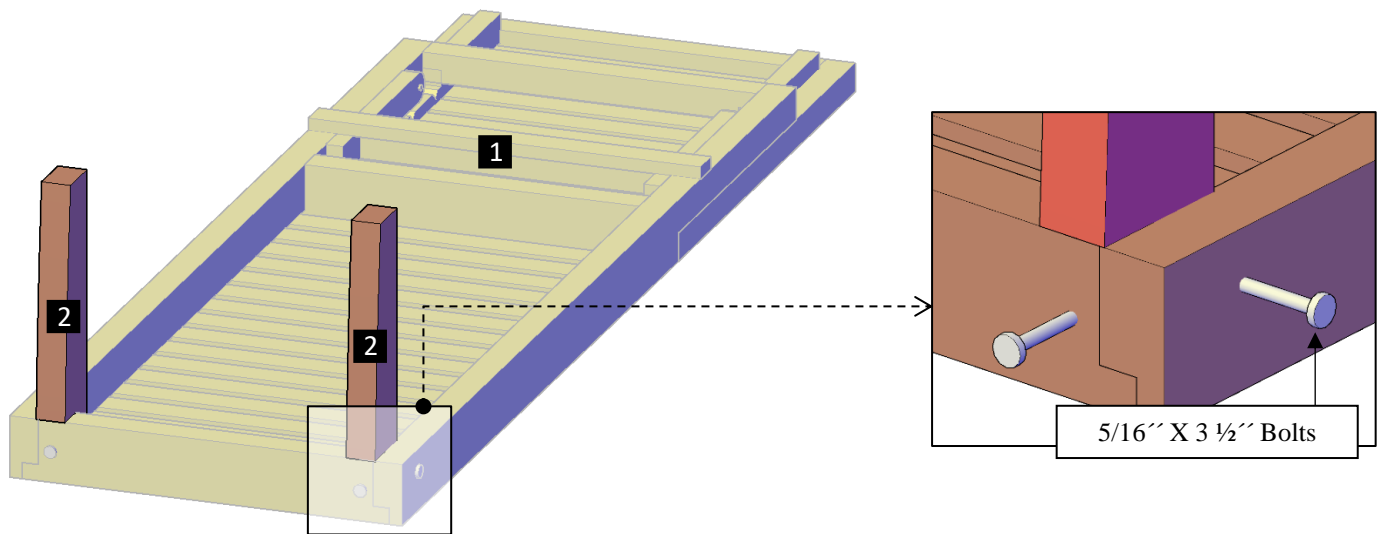


DESCRIPTION	No.
Seat	1
Legs	2
Armrests	3
Supports	4

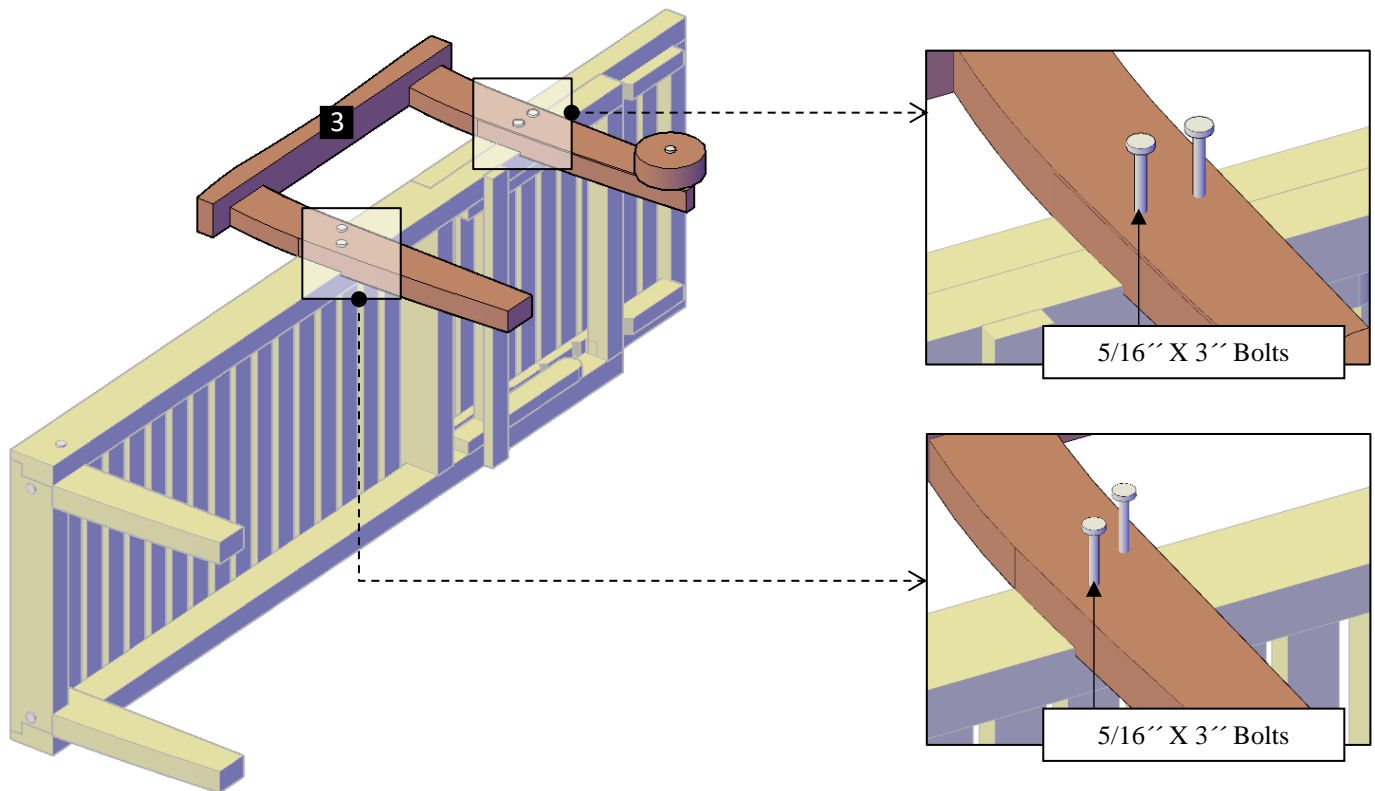


*Note: Part numbers in the Drawing are for reference only. These do not match to the numbers marked on the parts sent.*

**Step 1:** Turn the seat (1) upside down. After that, use 5/16" x 3 1/2" bolts (A) to attach the legs (2) to the seat. Each part has a series of numbers that indicate where to attach the part with the corresponding number.

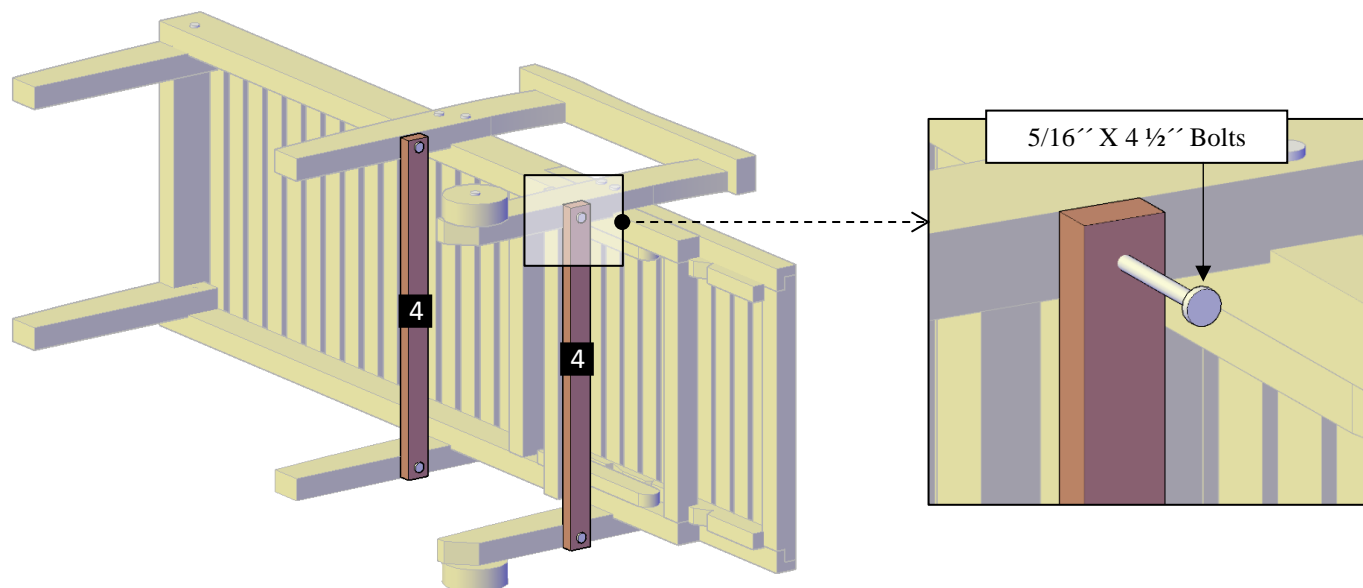


**Step 2:** Place the seat on its side. After that, attach one armrest (3) with 5/16" x 3" bolts (B). Each part has a series of numbers that indicate where to attach the part with the corresponding number.

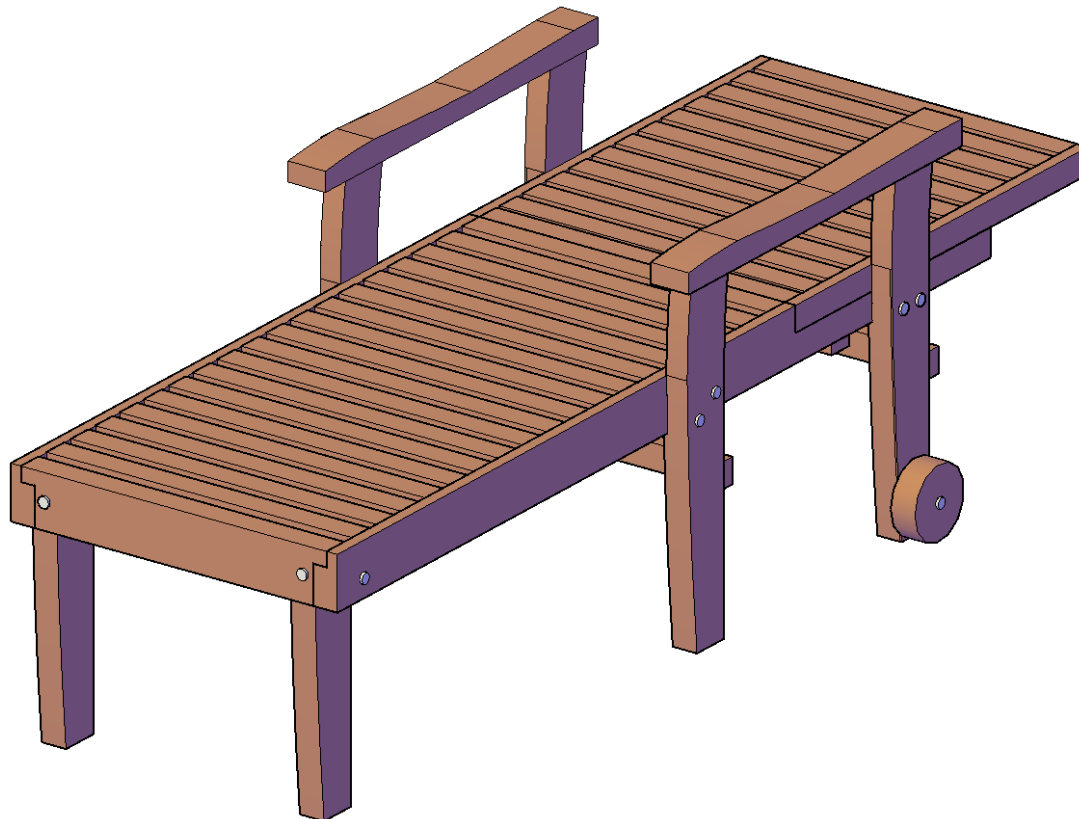


Repeat the operation on the other side.

**Step 3:** Use 5/16" x 4 1/2" bolts (C) to attach the supports (4) to the armrests. Each part has a series of numbers that indicate where to attach the part with the corresponding number



**Step 3:** Finally, turn the Lounger over its feet.





**Wood Pool Lounger – Single**



**Wood Pool Lounger – Honeymoon**



**Wood Pool Lounger – Double**

*This completes the Lounger assembly. Hope you enjoy your set for many decades. If you ever have a problem or a question, don't hesitate to call us (866 332 2403) or email us. We are here to support you.*