



FOREVER REDWOOD

From the Forest, For the Forest since 1995

866.332.2403 (TOLL FREE); 7am – 7pm Pacific Time, Monday-Saturday

TERRACE WOOD COCKTAIL TABLE



CONTENT

I. DESCRIPTION	2
II. SPECIFICATIONS	2
A. Dimensions & Drawings	2
B. Seating Option.....	5
C. Stool Quantity.....	6
D. Table Height	6
E. Stool Height.....	6
F. Swivel Bar Stools	7
G. Custom Cushions.....	7
H. Tabletop Styles	9
I. Corner Styles	10
J. Umbrella Hole	10
K. Finish Options	12
III. ASSEMBLY & CARE.....	16
IV. MATERIALS	17
V. WARRANTY	17
VI. SHIPPING.....	18

I. DESCRIPTION

Our Custom Redwood Tables for sale can be sized to fit your specific requirements, and use almost 40% more wood than our competitors. This means that your table can take a beating from the elements and still maintain its strength in structure, as well as its look. We use no synthetic plastic hinges or joints, and make each piece by hand here in the studio, guaranteeing quality that will last a long time.

- Our Cocktail table seats from 2 to 6 adults comfortably with bar stools, all built in our weather resistant Redwood - perfect for a covered patio or outdoors.
- **Many options to make the set just the way you want.** Choose a swivel stool or a Captains Chair or a standard backless stool. Add cushions, make any height you'd like and choose a special sealant to suit your color palate.
- **Longevity means we select materials to last a lifetime** - Our extra thick, finely sanded Redwood outlasts cedar/teak and we use only stainless hardware and the best weather resistant sealants.
- **Simple Assembly.** Every wood table is fully built in the shop before being only partially dis-assembled for shipping to make sure your re-assembly is a snap.

We offer a number of design, pricing, and shipping options, so please don't hesitate to call us if you have any questions. Working together, we can come up with a customized design for you in a few days, and get to working on your Wood Cocktail Table in no time. If you're in California, we can even help you install and setup your kit. Contact us now to find out more.

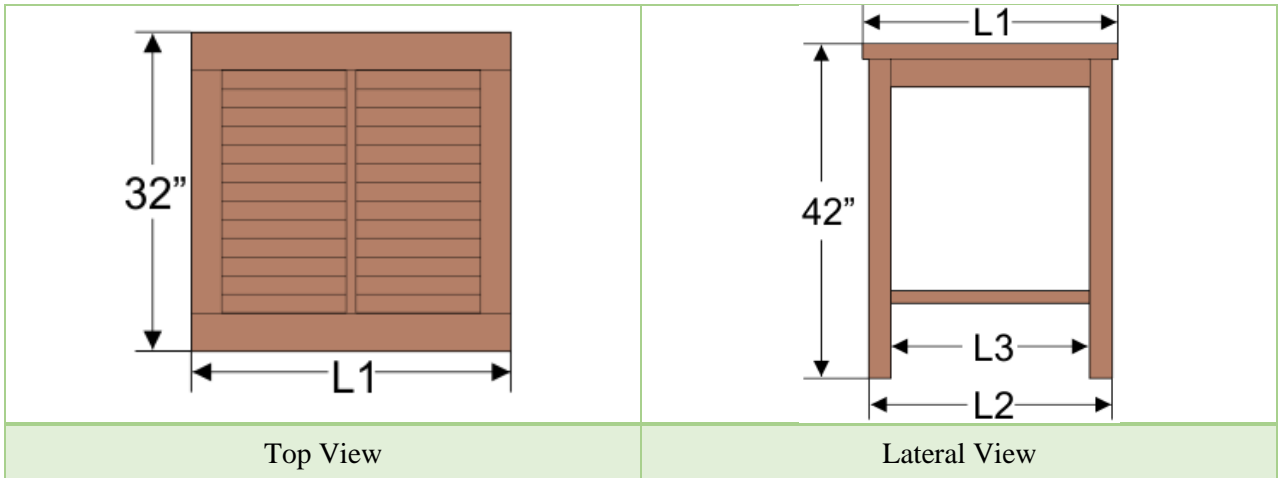
II. SPECIFICATIONS

A. Dimensions & Drawings

Square Cocktail Table is 2'-8"L x 2'-8"W, but otherwise has same dimensions and height options.

Rectangular Cocktail Table is 5'-6"L x 2'-8"W, but otherwise has same dimensions and height options.

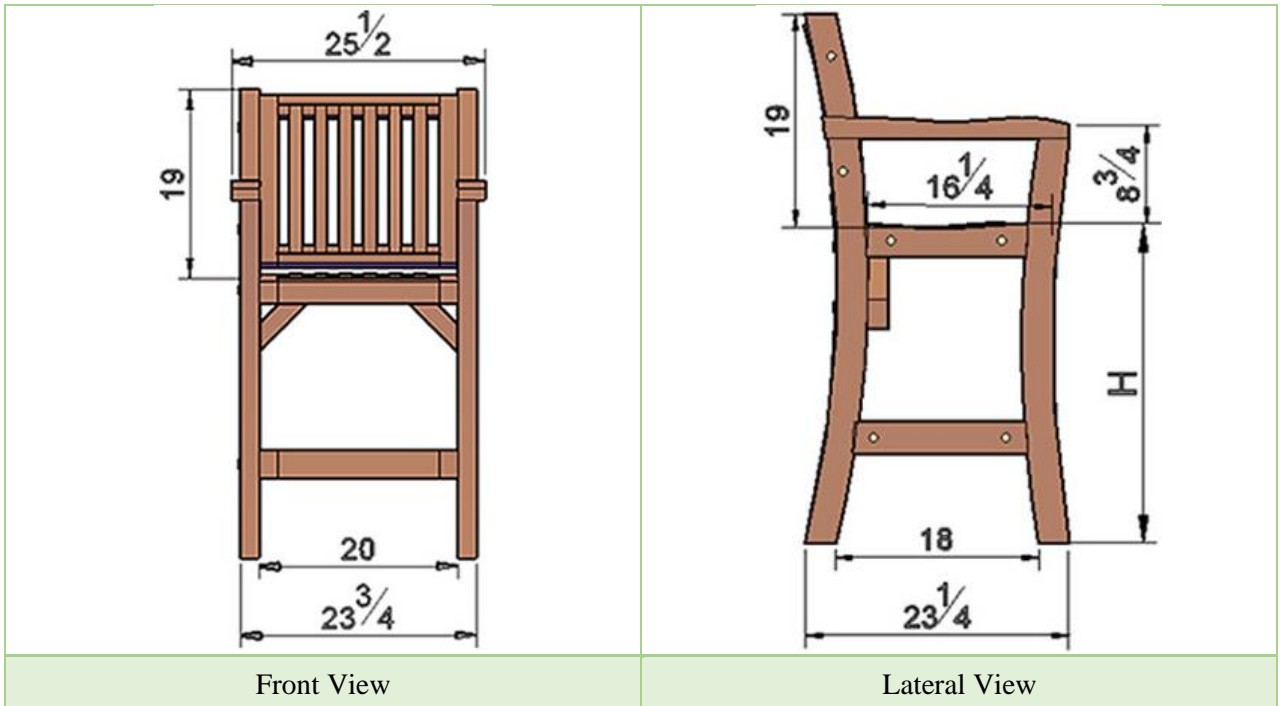
We can make your Cocktail Table and Cocktail Bar Stools any size you need. The standard height is 42"H; you also have the option of 36", 38", 40", 44", 46", and 48". The Cocktail Bar Stools pictured are our standard seat height of 29"H; you also have the option of 23", 25", 27", 31", 33", and 35". You can choose your preference in Advanced Options at no additional cost. If you don't see the size you want, just [let us know](#) and we'll email the additional cost to you for approval.



	L1	L2	L3
Square Cocktail Table	32''	30 1/2''	25''
Rectangular Cocktail Table	66''	64 1/2''	59''

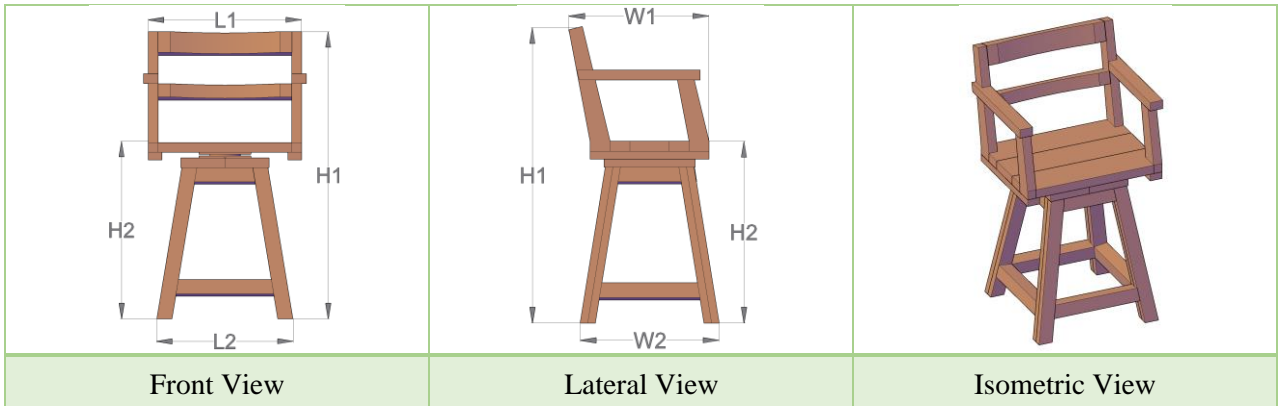
Cocktail Bar Stools

- Standard measurements are 47"H (at top of backrest).
- Seats are 28 1/4"H x 20"W x 16"D.
- Alternate heights for chair seats are 19", 21", 23", 25", 27", 31", 33", and 35".
- **Please note:** On standard orders, the highest point of the backrest is exactly 19 inches taller than the seat height you choose. Also, the armrest height (if you choose arms with your barstool) is exactly 8 3/4" taller than the seat height. Just let us know if you need any custom adjustments to these standard measurements.



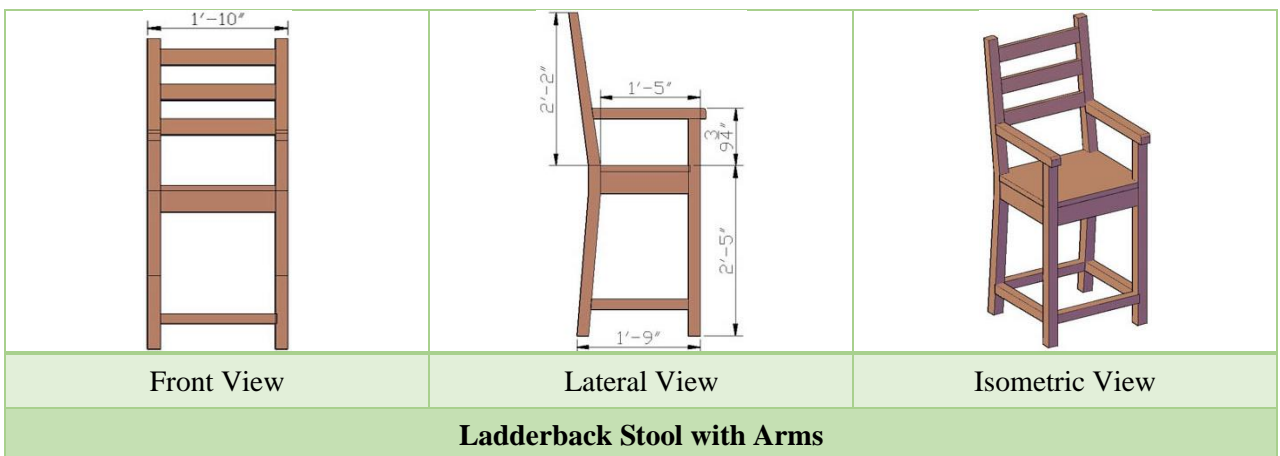
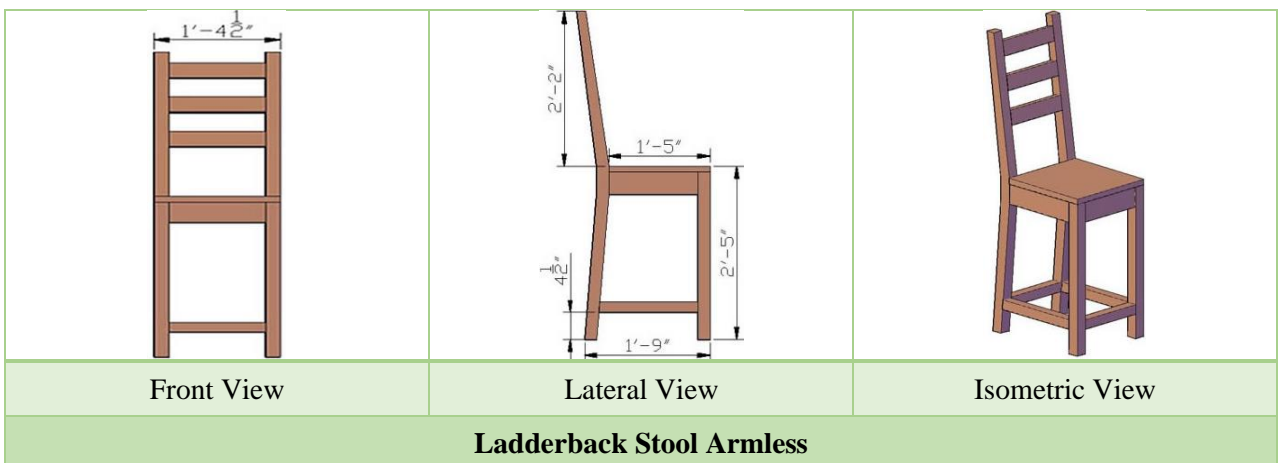
Captain Bar Stool

- Captain's Bar Stools are available in several heights.
- Stool Seat Height available from 19", 21", 23", 25", 27", 29", 31", 33" to 35" H.



Ladderback Stool:

- Are 42"H (at top of backrest).
- Seats are 29"H. Alternate heights for chair seats are 19", 21", 23", 25", 27", 29", 31", 33", and 35".



B. Seating Option

Most Cocktail Table sets ship with the Cocktail Bar Stools with Arms and no swivel seating unless specified differently. To choose Bar Stools without armrests or with the swivel seat option or other barstool styles, please go to Advanced Options.

The 5.5 ft. Rectangular Cocktail table comes with 6 Captains Chair Bar Stools with Arms including a swivel seat unless otherwise specified in Advanced Options.

The default height on the tables and stools is 42 with 29 stools unless specified differently in Advanced Options.



Cocktail Bar Stool with Arms
Shown above in Mosaic Eco-Wood, No Swivel.



Cocktail Bar Stool (Armless)
Shown above in Mature Redwood, No Swivel.

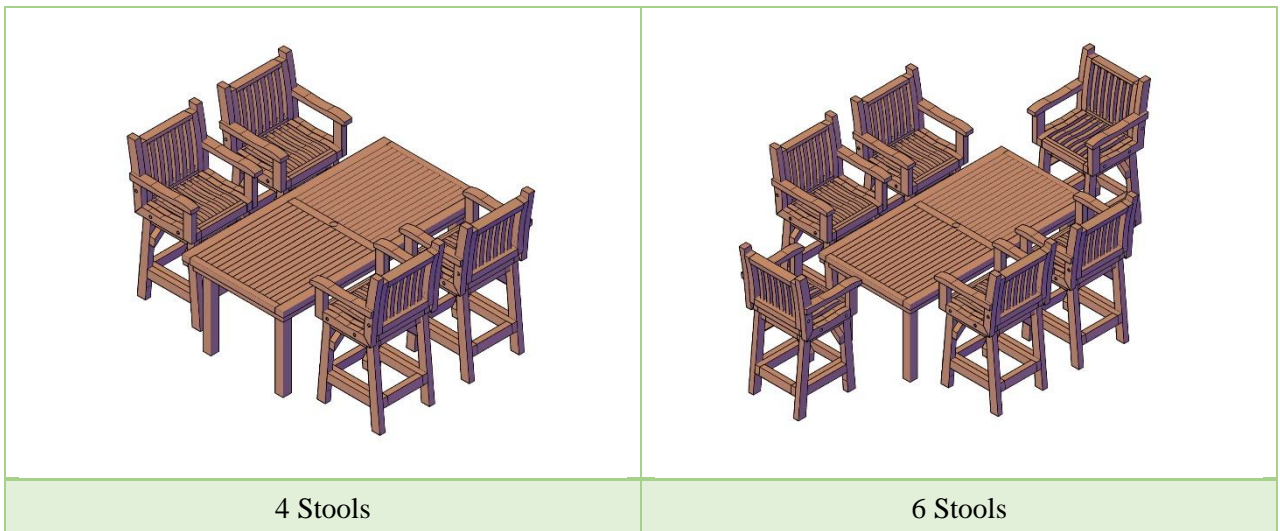


Captain's Chair
Shown above in Mature Redwood
with Swivel Seat.



Ladderback Wooden Stool (Armless)
Shown above in Mature Redwood,
No Swivel.

C. Stool Quantity



D. Table Height

We can make your Cocktail Table and Cocktail Bar Stools any size you need. The standard height is 42"H; you also have the option of 36", 38", 40", 44", 46", and 48".

E. Stool Height

The Cocktail Bar Stools pictured are our standard seat height of 29"H; you also have the option of 23", 25", 27", 31", 33", and 35".

F. Swivel Bar Stools

You can also order the swivel seat option on your Cocktail Bar Stools for an additional charge. The default version for the Cocktail barstools is a fixed seat. The default setting for Captains Chair is a swivel seat option. You can always change any of the defaults in Advanced Options if you like.



G. Custom Cushions

If you'd like a cushion for your chairs, please indicate this in the Advanced Options section. Standard cushions come in forest green however you also have the option to visit [Trivantage](#) to choose from the hundreds of outdoor fabrics they have for your cushion.





Massive Garden Bench with Cushion



Ruth Armchairs with Cushions

The most popular fabric choice over the years is the Forest Green. For this reason, we've made it our default fabric choice for all cushions. If you'd like a cushion in a color or pattern other than Forest Green, you can choose from thousands of fabrics by visiting our Sunbrella fabric partner Trivantage Upholstery Fabric at: <https://www.trivantage.com/fabric-upholstery>.

Just write the name and number of the fabric you'd like us to use to make your cushion in the comment box below the cushion selection. Most Sunbrella fabrics are under \$30/yard and are included in the cushion price. If you prefer a premium fabric over \$30/yard, the cost over \$30/yard will be manually added to your order total.

Trivantage fabric is made to sit out in the sun and not fade or fall apart for years. It's machine washable. Each cushion has a zipper so you can remove the foam and wash the fabric.

H. Tabletop Styles



Seamless Tabletop (Most Popular Indoors)

Ideal for use in a covered patio or indoors. It can be taken outdoors for a meal or party but isn't designed for outdoor living. The seamless construction creates a beautiful unbroken tabletop surface that is just as strong as our standard tabletop.



Standard Tabletop (Recommended & Most Popular Outdoors)

Recommended for tables to be left out in the weather. Outdoor tabletop boards need "breathing" room to expand and contract to the constant changes in moisture and temperature. The standard tabletop boards are separated by 1/16-inch to allow for this movement.



Parquet Tabletop Style

A seamless design made with contrasting blocks of varying wood grades to create a beautiful tapestry of color and wood grains. Designed primarily for indoor use, the Parquet table can be taken out for short stints outdoors. Its seamless design makes it ideal for a covered patio or indoor use year round. Any benches for a table set will be in matching parquet bench tops by default. If you prefer benches in a different design, just let us know. The parquet pieces will be naturally varied in color as shown.

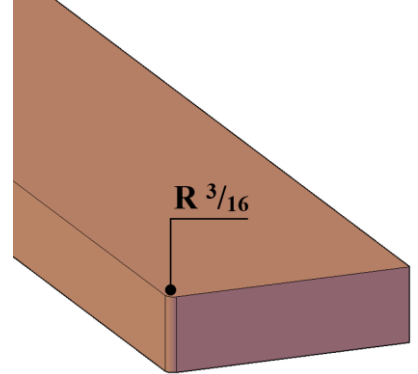
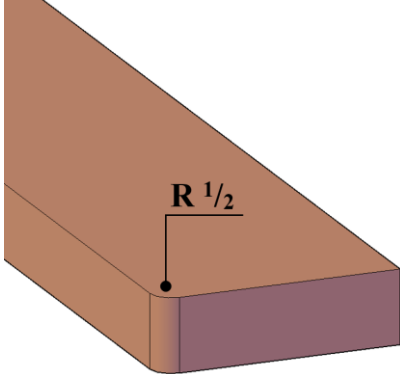
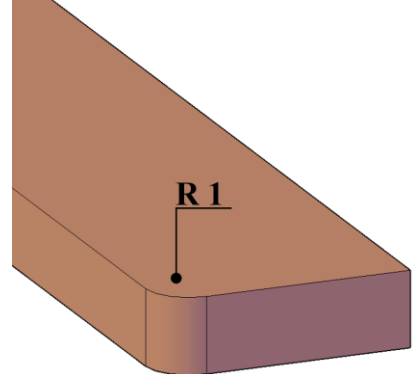


Old Country Tabletop Style

An old European design that can be used either outdoors or indoors. It has a perimeter frame with a dividing board across the center of the top widthwise. For indoors, we recommend the Old Country Seamless tabletop option. For year round outdoor applications, please choose the Old Country Standard tabletop design.

I. Corner Styles

The corners of the tables and benches can be made in 3 ways (Squared, Slightly Rounded or Rounded). The look is quite different and it takes only a few seconds to see what will work best for you (see drawings):

		
Squared	Slightly Rounded	Fully Rounded
Leave the corners of your table and/or bench tops squared for a more modern look (technically, 3/16" radius, for structural soundness).	The 1/2" radius rounding creates a softer look and it is the most popular option.	Was initially created for kid safety. It is a favorite for heavy use public places (1" radius).

Some rounding is a good idea for safety reasons (kids, elderly). The 1/2" radius rounding is a popular compromise between the two (see drawing). Just choose which option you would like during checkout.

J. Umbrella Hole

Want to enjoy an umbrella with your table? We do not sell umbrellas, but we can drill a 1 5/8" or 2" umbrella hole for you at no charge. Simply select this option at check-out. A plug is included with the umbrella hole option see images at right.



***Note:** For rectangular picnic or dining tables (not folding) largest than 11ft, umbrella hole option come drilled two equidistant holes instead one at the center.

Many customers prefer to use Umbrellas that are not placed over the table using an umbrella hole. For example:



For Rectangular Shaped Tables.



For Round Tables.

K. Finish Options

All our furniture ships finely sanded to 220 grit for a smooth to the touch finish.

The most popular finish is our Transparent Premium Sealant. This sealant leaves your furniture looking natural and helps keep the beautiful wood surface colors from fading for several years. We use Sikkens brand finishes because they are the best finishes on the market. For more information about our finishes and how to keep your furniture looking great year after year, please go to: [Care & Finish](#).

Unfinished (fine sanding only):

If you are applying your own stain or want the surface color to fade to a "weathered look" in a few months. We do not recommend you leave your furniture unfinished outdoors for any extended period regardless of wood quality. Outdoor weather changes constantly and it is best to at least seal the wood to protect it from consistently absorbing and losing moisture.

Transparent Premium Sealant - Recommended for Outdoors:

Below are the 5 grades of wood we offer with the Transparent Premium Sealant applied. The color tones shown are close representations of the color your furniture will look like. There is no extra charge for the Transparent Premium Sealant:

				
Douglas Fir (10 yr. Warranty)	Mosaic Eco-Wood (10 yr. Warranty)	Redwood (15 yr. Warranty)	Mature Redwood (20 yr. Warranty)	Old Growth Redwood (30 yr. Warranty)

We also offer the Transparent Premium Sealant with the following stains. There is a small charge for adding these stains because it increases the total amount of coats to 4 with the sealant as the final coats:



Here is how the Coffee Stain looks like on Redwood



Here is how the Cherry Stain looks like on Redwood

Tiger Stripe Effect

Douglas-Fir when stained dark creates a "tiger stripe" effect as shown in this photo. It is beautiful and most customers love it. If you are looking for a dark consistent stain and do not want to see a "tiger stripe effect", please go with any of the Redwood grades for a more consistent stain finish.



Primers

- **Off-White Oil-Based Primer:** If you are painting a light color. We apply two coats so that it is ready for one final coat.
- **Gray Oil-Based Primer:** If you are painting a darker color. We apply two coats so that it is ready for the final coat.

Custom Paints

Custom Paint Finish (go to BenjaminMoore.com):

Have Forever Redwood paint your order any color you like. We prefer to use Benjamin Moore paints because they make excellent quality products and offer a huge selection of paints and colors to choose from.



Modern Louvered Pergola – Black Stain



Benjamin Moore: Black Stain, 2131-10

First select the type of paint you want: Benjaminmoore.com

Then click the colors tab and choose from the almost endless amount of colors offered.

Just select the Custom Paint finish option and in the Comment box enter the type of paint and the name and number of the color you would like. We will confirm your custom paint request within 24 hours of receiving your order and we will order the paint for you and apply per the specified directions. You only need to let us know the type of paint and the color name and number and we will do the rest.

III. ASSEMBLY & CARE

Assembly Instructions for: [Terrace Wood Cocktail Table](#)

Assembly Instructions for: [Cocktail Bar Stools](#)

Assembly Instructions for: [Cocktail Bar Stools with Swivel](#)

Assembly Instructions for: [Captain's Bar Stools](#)

All You Need is a Few Tools and a Friend.

Assembly is best done by two people and usually takes about half a day to a day, depending on size. Pergolas need a ratchet wrench, a hammer and a ladder to put them together. In some cases, you might need a drill to attach the posts into concrete. As with all our products, we preassemble pergolas in our shop to ensure everything fits together. All hardware is included and all parts are clearly labeled before it is shipped. We also include detailed step-by-step instructions.

Take a look at our assembly instructions below for specific details. If you plan to pour concrete to hold the posts, the project will require an additional half day prior to assembly. Please do the concrete pour a few days prior to assembly to allow the concrete to cure.

Installation Help.

Special talent is not required to re-assemble our pergolas. But, if you would like help, [just let us know](#). We have our own team for installations in California, Nevada and Southern Arizona and a network of local contractors we recommend for farther afield.

Care: Your Forever Redwood Furniture will last for decades in year-round weather without maintenance.

Depending on the wood grade you choose, even with harsh year-round outdoor conditions, you can expect your furniture to last from ten to forty years without maintenance of any kind.

Being outside year-round is rough on any woods finish. The surface absorbs UV rays, pollution, constant variations in moisture and temperature and it also oxidizes. This is why most wood just doesn't hold up and the surface color slowly changes towards a silver patina over the years. But, with Forever Redwood, you don't have to worry. The silver patina is surface deep only (less than 1/64") and is not indicative of decay. Your set will last decades and is not compromised in any way by the surface color change. For example, we keep our display items as is without refinishing to show off this natural aging (we like the patina!).

Although Forever Redwood is maintenance-free, we recommended you take a few minutes as needed to clean by either hosing down and/or brushing/dusting away accumulated debris (no soap or chemicals needed). If you'd like to keep your set looking its best for decades, please go to: [Care and Finish](#).

IV. MATERIALS

The secret to outdoor longevity begins and ends with the wood. We use generous amounts of the most decay resistant wood available. We encourage our customers to compare photos of our items side by side with any competing product. Thickness counts. Furniture that is thin and light simply won't last in the year round weather.

To keep your furniture beautiful, we use only stainless steel hardware and the highest quality stains and sealants. We use only the Sickens brand of sealants.

Our primary customer has always been the homeowner that appreciates spending a bit more for quality that will last decades.

Our products are installed with organizations that appreciate longevity like the U.S. Forest Service, U.S. military installations, State and City parks, golf clubs and hotels.

We are favored by many landscape architects and contractors because they can count on exceptional quality and quick personal service to complete projects.

We build each item by hand. This insures your set is finely finished and carefully inspected. Old-fashioned hand building also allows us to adjust the size or design of any item to fit your needs.

Because we are a forestry company, we can offer 5 exceptional wood grades to choose from our carefully managed forests with warranties of up to 30 years against decay in any weather. [Click for more about our 5 wood grades](#).

V. WARRANTY

Wood decay is warrantied up to 30 years depending on the wood grade. No other outdoor furniture manufacturer has warranties like this. The key is the excellent quality of our wood and the extra-thick timber designs of all our pieces.

Wood Grades and Decay Warranty:

- Douglas-fir: 10 years
- Mosaic Eco-Wood: 10 years
- Redwood: 15 years
- Mature Redwood: 20 years
- Old-Growth Redwood: 30 years

Forever Redwood stands behind its products. We are committed to quickly resolving any issues that might occur. For more information please see our [Warranty](#) page.

VI. SHIPPING

We offer 4 Shipping Options in the U.S.:

- Rush Shipping (ships in 3 weeks).
- Priority Shipping (ships in 6 weeks).
- Standard Shipping (ships in 10 weeks).
- Free Shipping in the Continental U.S. (ships in 14 weeks).

Notes for Orders requiring drawings or approvals:

All Shade Structure orders (Pergolas, Pavilions, Gazebos and Arbors) require drawings to make sure all details are agreed upon prior to building and to give our customers the ability to customize their structures to meet their needs. We also sometimes make custom changes to Swings, Planters, Benches, Tables and other standard production items per customer requests. If your order has a custom detail or is a shade structure, you will receive your first drawings via email within 5 business days of receiving your completed order with a deposit.

We will go back and forth with you as needed to fine tune the design to your liking prior to building it. Once you sign off on your drawings, your timeline for shipping will begin. Please keep this in mind. If you need a Rush Order and also drawings, it is best you call in your order so that we can organize ourselves to both complete your drawings on an expedited basis and meet your shipping deadline.

Yes, you can have free shipping plus save 3% off your order! We carefully hand build each Forever Redwood item. When you choose a longer ship out date, you give us more time to build. This lowers our cost and we pass the savings to you. If you choose the Wait & Save Shipping option and prefer we ship out on a specific date (up to 6 months in advance), just enter the date in the Comment Box at Checkout. If no note is included, we'll ship in 3 months.

Orders ship from San Diego, CA. Add 3 to 6 business days transit time (depending on location). We ship to any country. Canada orders ship in 6 weeks. To see Canadian shipping costs, just add item to cart.

For orders outside the U.S. or Canada, just enter your country in the shipping information section at checkout or in the shopping cart to see your freight cost. We ship outside the U.S. or Canada in 6 weeks. For all international shipments, the shipping companies handle any customs paperwork and then contact you to arrange delivery.

Assembly Service Available Nationwide: All orders over \$3,000. in size can choose to have Forever Redwood assemble for you. Just choose White Glove Service in the Shopping Cart or at Checkout. For more information on White Glove, please go to: [WHITE GLOVE](#).



If your artistically inclined, the crating makes a great canvas to:
Lion of the Tribe of Juda by Patricia Vallejo



Some of the ugly guys from our install crew that will scare your children when they come install your order!